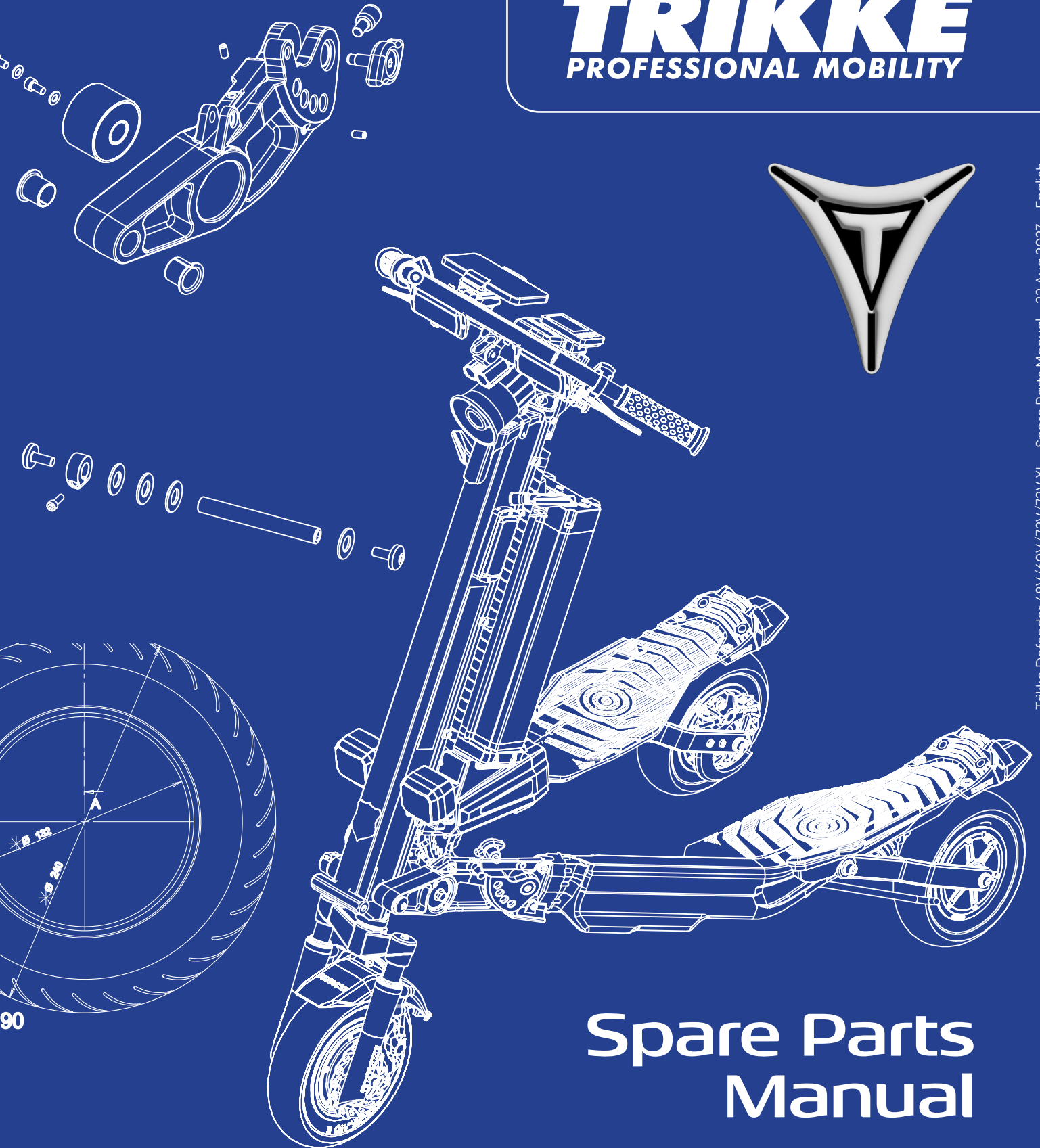


TRIKKE™

PROFESSIONAL MOBILITY



Spare Parts Manual

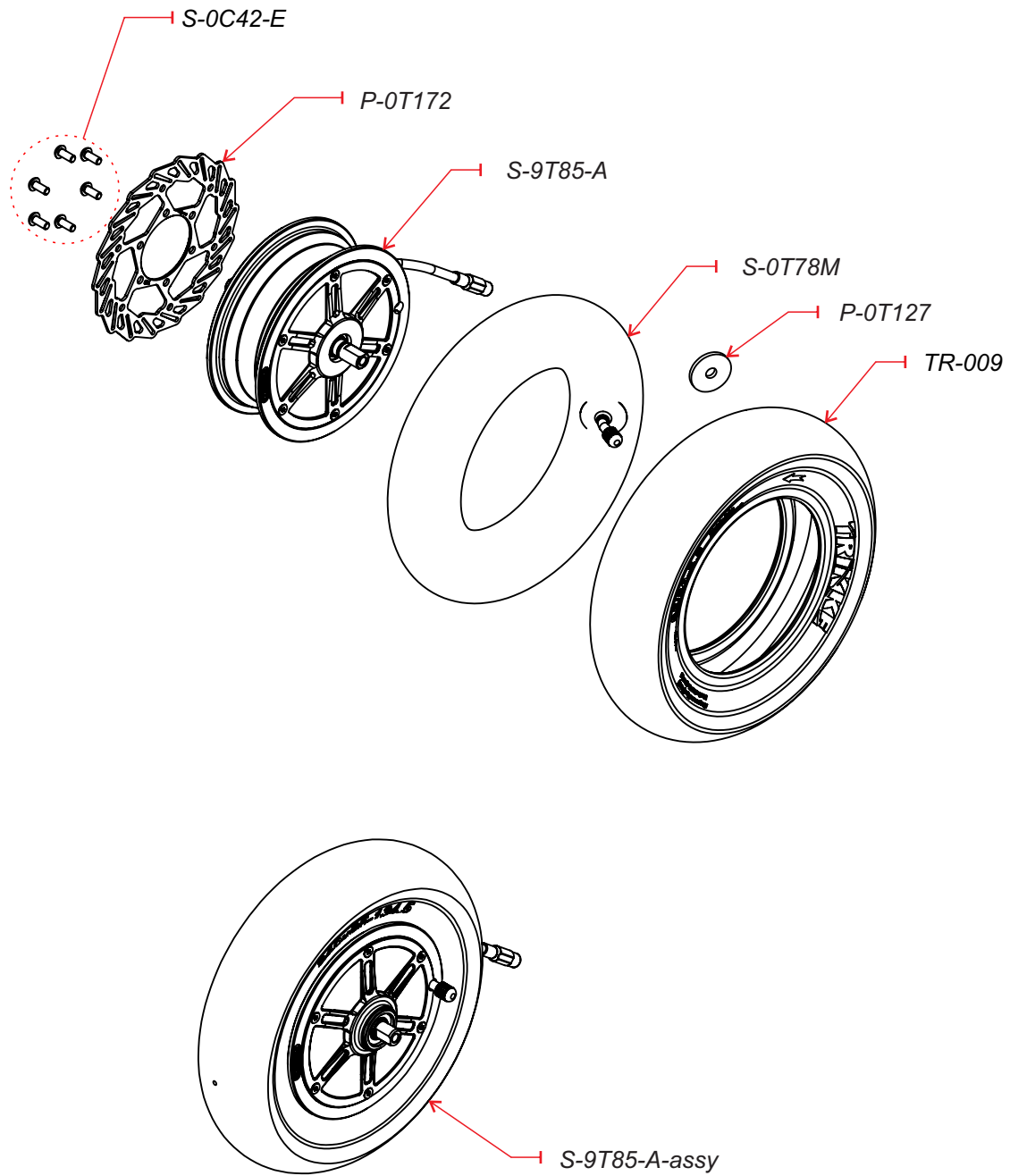
Defender 48V (2WD, 3WD)
Defender 60V (Positron, Sp33dr)
Defender 72V and 72V XL (Positron, Sp33dr)



To report errors, place questions and suggestions please contact
Trikke Tech Support at techsupport@trikke.com

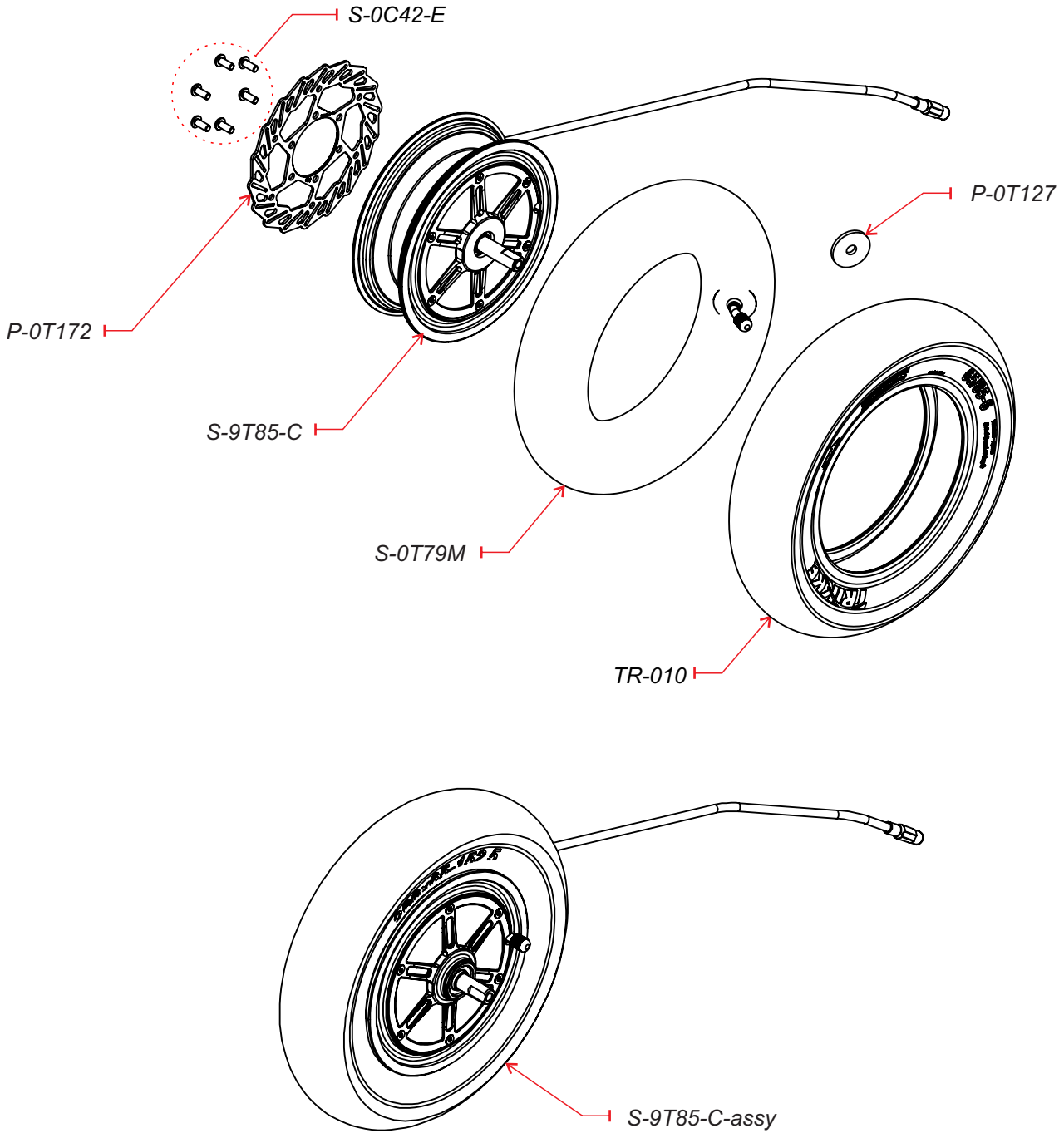
For help in placing an order call (805)693-0800 (USA) or e-mail sales@trikke.com

Rear Wheel (Motor) (2WD/3WD)



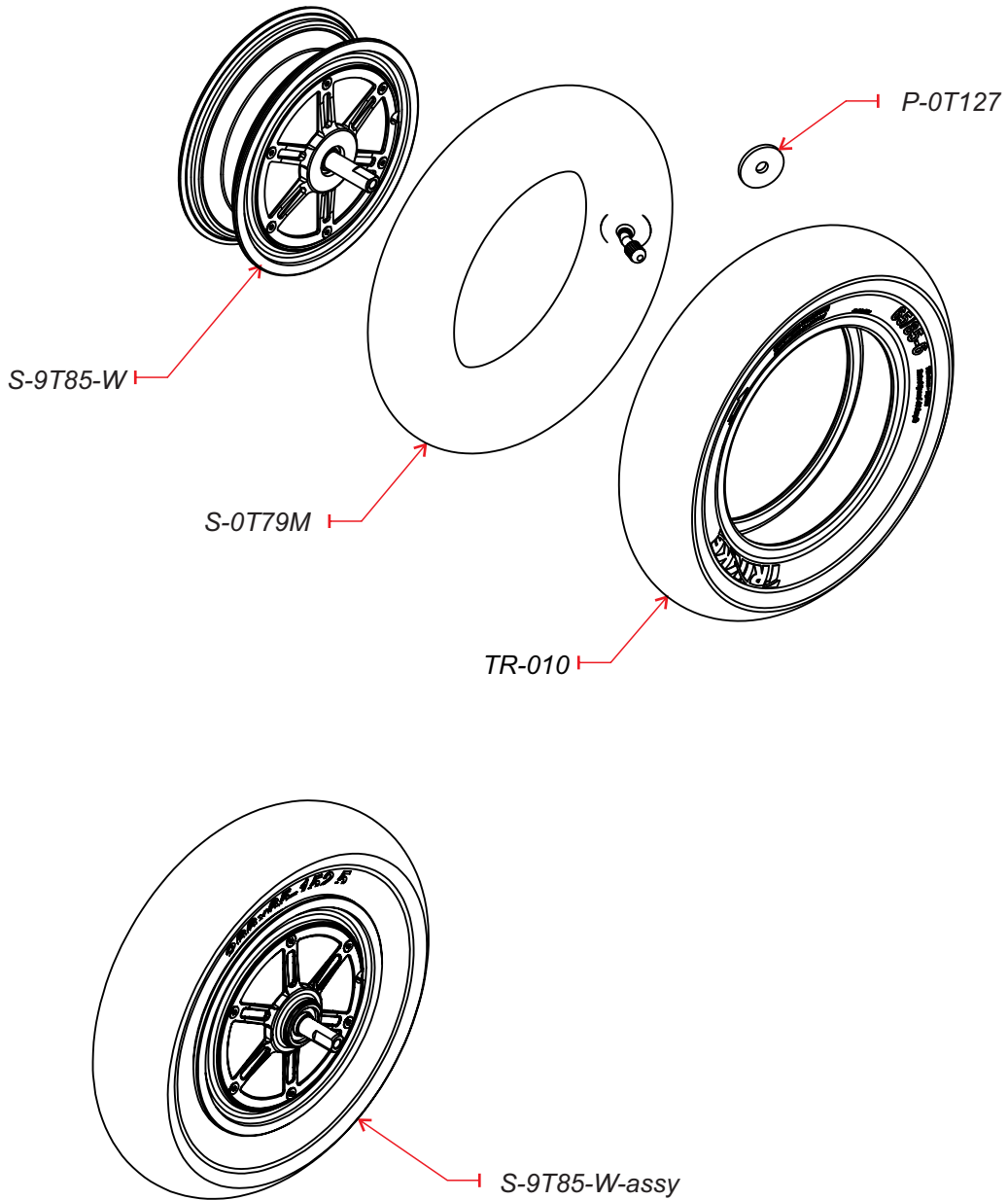
PART #	PART NAME	SPEC	NOTE
S-0C42-E	BOLT TORX T25, M5 x 12 x 9.5	TORX T25, M5 x 12 x 9.5	red color
P-0T172	BRAKE ROTOR, DISC 140mm Motor	Ø140 x 1.85t x Ø48.2	
S-9T85-A	REAR MOTOR	MOTOR (48V/60V/72V)	Rear Wheel
TB-009	TUBE 9.5" x 2.5"	226 x 55	Rear Wheel
P-0T127	WASHER, INNER TUBE RUBBER		
TR-009	TIRE 9.5" x 2.5"	240x65-134.5	Rear Wheel
S-9T85-A-assy	MOTOR REAR - full assy	RH/LH Rotation inverter "jumper" used on LH motor	with tire, tube, brake rotor, axle spacers, key washers and bolts

Front Wheel (Motor) (3WD)



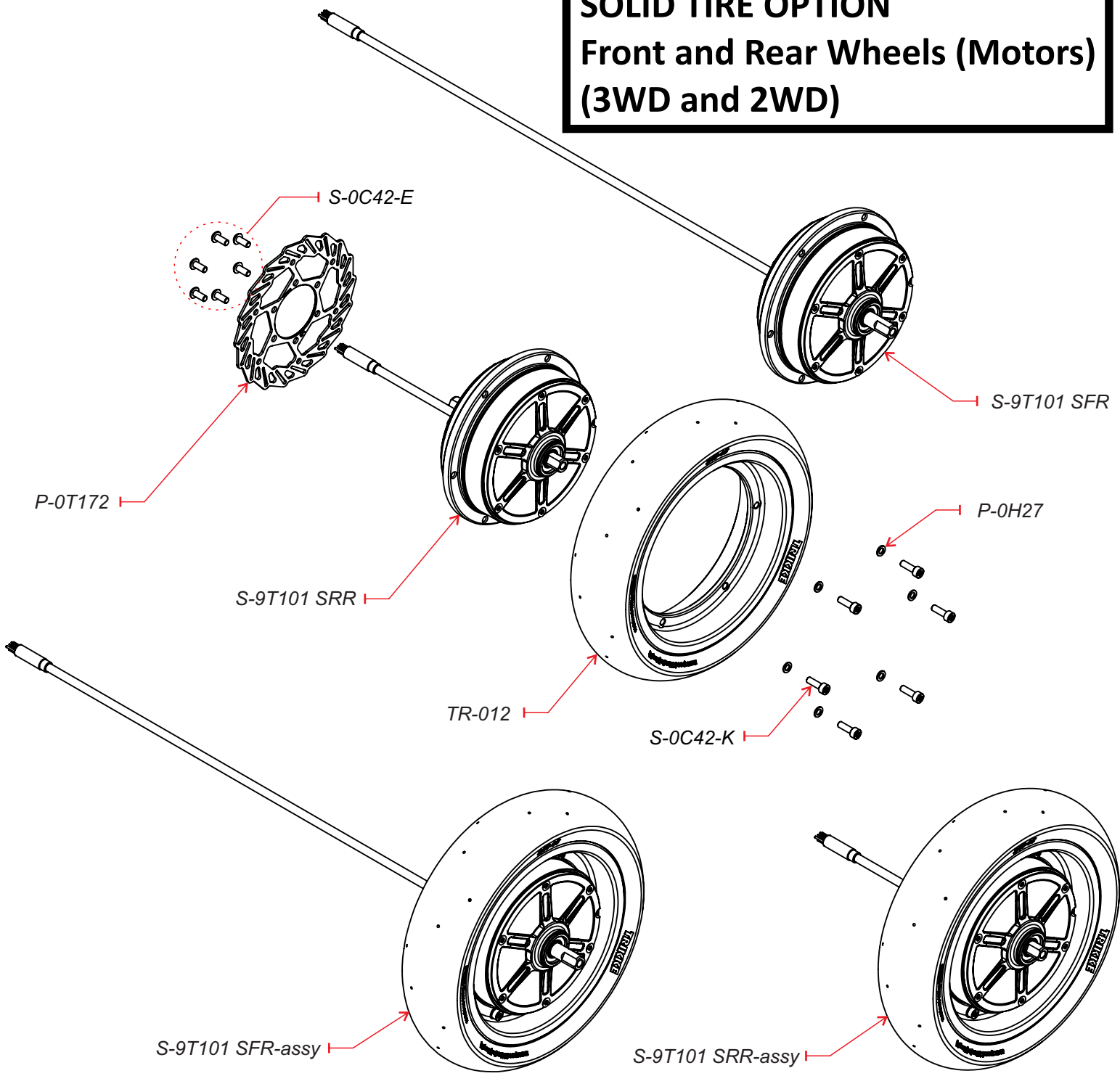
PART #	PART NAME	SPEC	NOTE
S-0C42-E	BOLT TORX T25, M5 x 12 x 9.5	TORX T25, M5 x 12 x 9.5	red color
P-0T172	BRAKE ROTOR, DISC 140mm Motor	Ø140 x 1.85t x Ø48.2	
S-9T85-C	FRONT MOTOR	MOTOR (48V/60V/72V)	Front Wheel
TB-010	TUBE 10" x 2.5"	252 x 55	Front Wheel
P-0T127	WASHER, INNER TUBE RUBBER		
TR-010	TIRE 10" x 2.5"	266x65-153	Front Wheel
S-9T85-C-assy	MOTOR FRONT - full assy		with tire, tube, brake rotor, axle spacers, key washers and bolts

**Front Wheel
(2WD)**



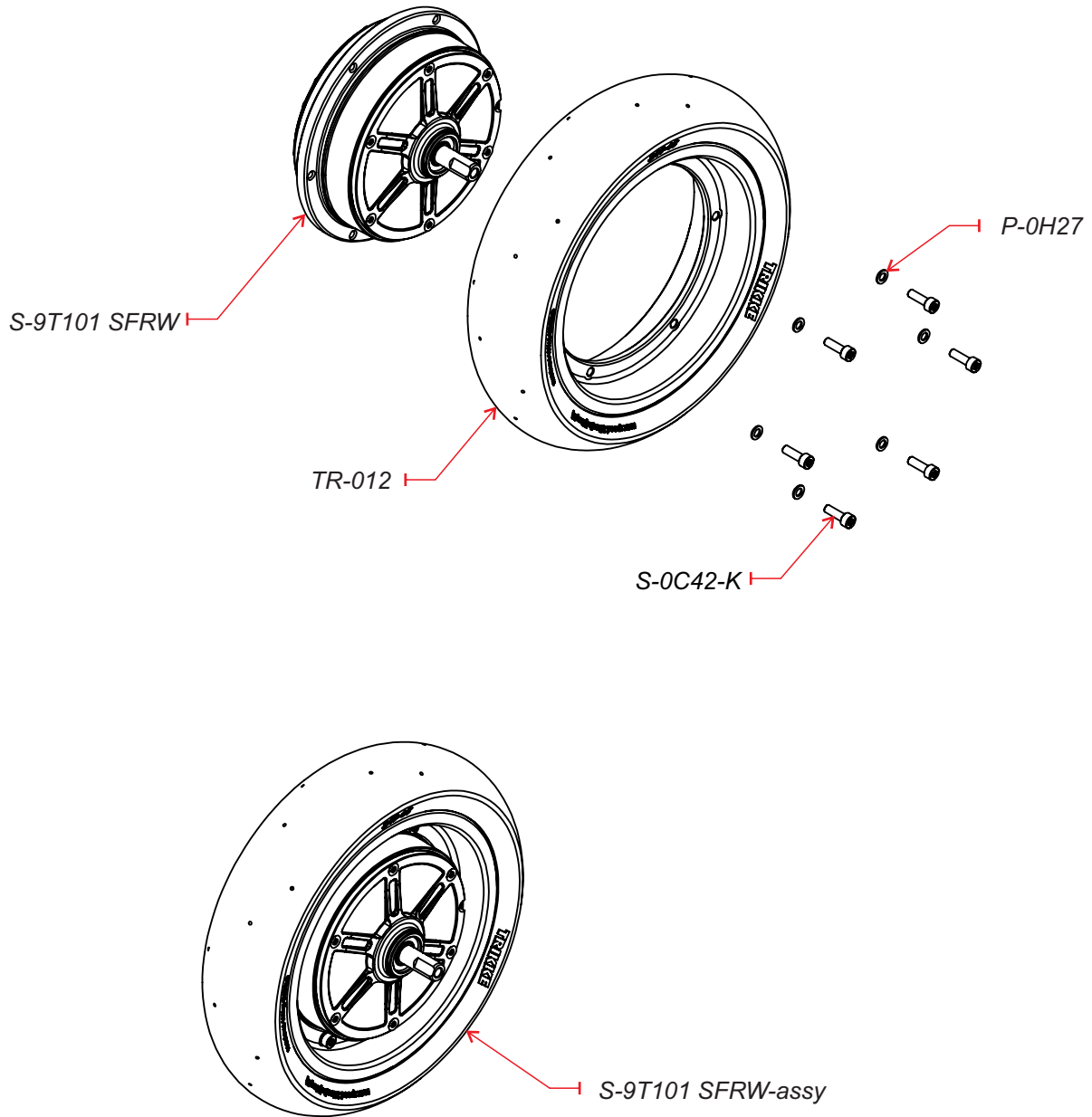
PART #	PART NAME	SPEC	NOTE
S-9T85-W	FRONT WHEEL		
TB-010	TUBE 10" x 2.5"	252 x 55	Front Wheel
P-0T127	WASHER, INNER TUBE RUBBER		
TR-010	TIRE 10" x 2.5"	266x65-153	Front Wheel
S-9T85-W-assy	FRONT WHEEL - full assy		with tire, tube, axle spacers, key washers and bolts

SOLID TIRE OPTION Front and Rear Wheels (Motors) (3WD and 2WD)



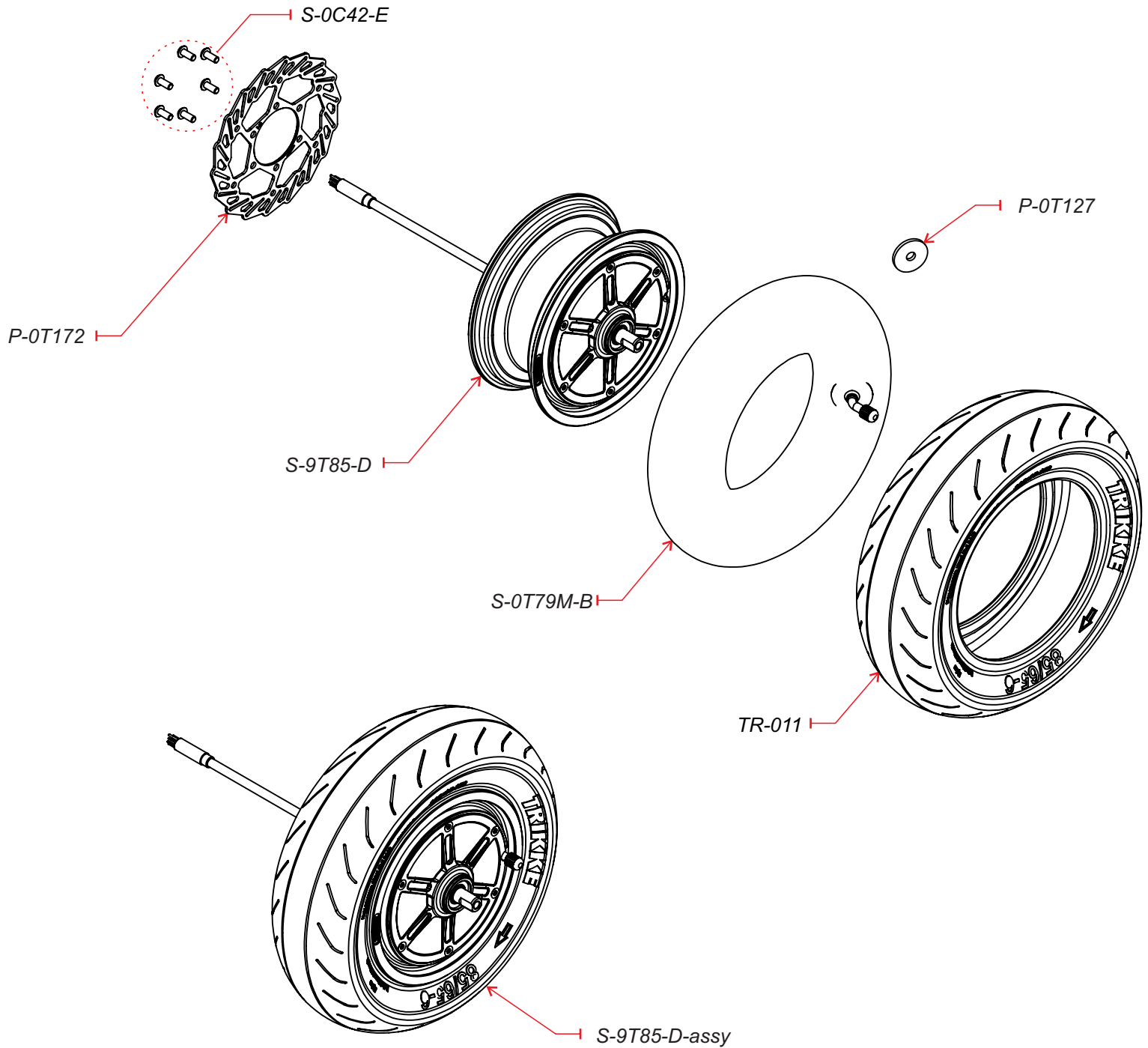
PART #	PART NAME	SPEC	NOTE
S-0C42-E	BOLT TORX T25, M5 x 12 x 9.5	TORX T25, M5 x 12 x 9.5	red color
P-0T172	BRAKE ROTOR, DISC 140mm Motor	Ø140 x 1.85t x Ø48.2	
S-9T101 SFR	FRONT MOTOR	MOTOR (48V/60V/72V)	Front Wheel
S-9T101 SRR	REAR MOTOR	MOTOR (48V/60V/72V)	Rear Wheel
TR-012	SOLID TIRE 245-65	245-65	Front and Rear Wheel
P-0H27	WASHER, Ø9 x Ø5.3 x 1 (DIN 433)	Ø9 x Ø5.3 x 1 (DIN 433)	
S-0C42-K	BOLT TORX T25, M5 x 16 x 8.5	M5 x 16 x 8.5 TORX	
S-9T101 SFR-assy	FRONT MOTOR - full assy		with solid tire, brake rotor, axle spacers, key washers, washers and bolts
S-9T101 SRR-assy	REAR MOTOR - full assy	RH/LH Rotation inverter "jumper" used on LH motor	with solid tire, brake rotor, axle spacers, key washers, washers and bolts

**SOLID TIRE OPTION
Front Wheel
(2WD)**



PART #	PART NAME	SPEC	NOTE
S-9T101 SFRW	FRONT WHEEL		
TR-012	SOLID TIRE 245-65	245-65	
P-0H27	WASHER, Ø9 x Ø5.3 x 1 (DIN 433)	Ø9 x Ø5.3 x 1 (DIN 433)	
S-0C42-K	BOLT TORX T25, M5 x 16 x 8.5	M5 x 16 x 8.5 TORX	
S-9T101 SFRW-assy	FRONT WHEEL - full assy		with solid tire, axle spacers, key washers, washers and bolts

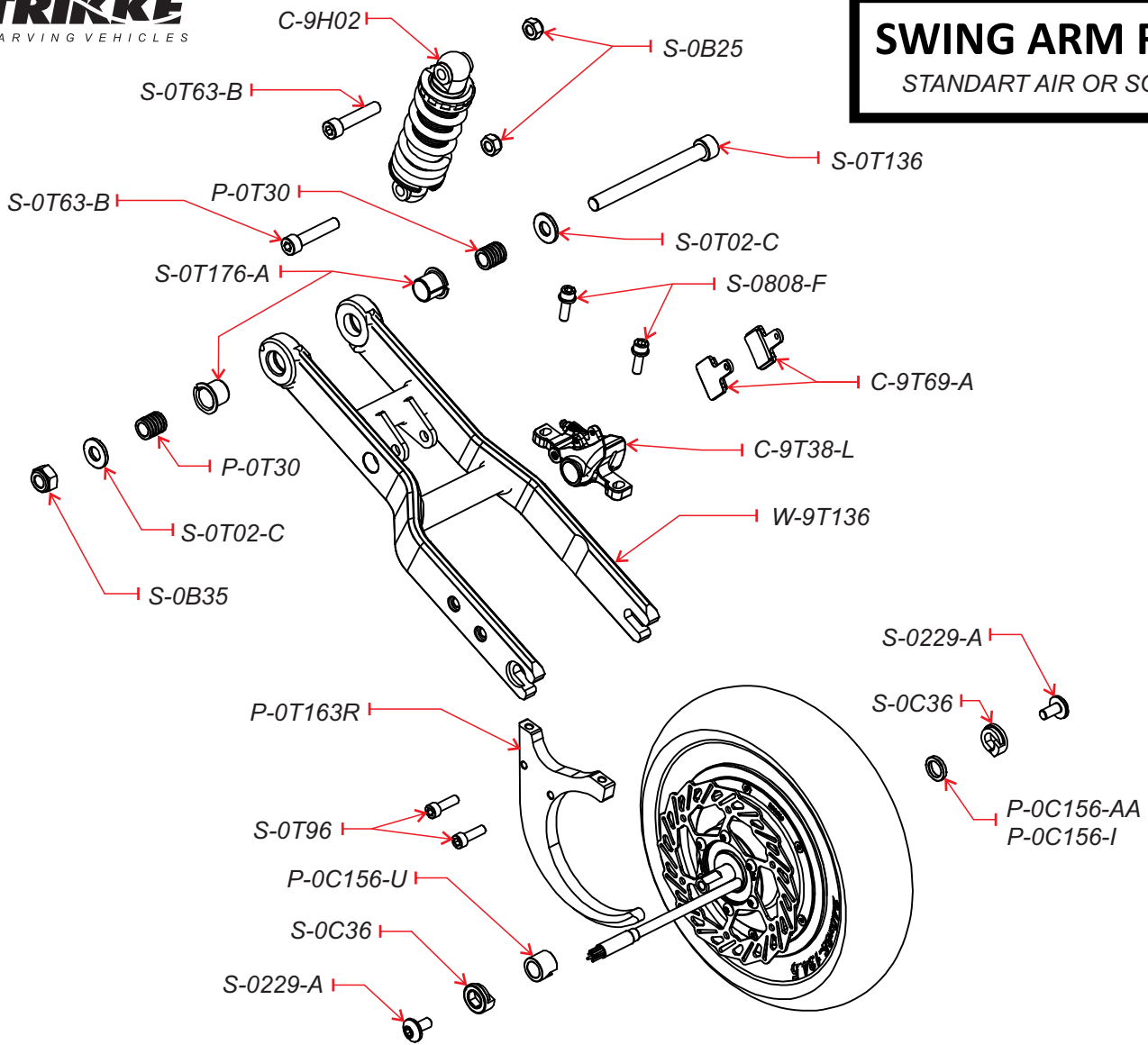
**Model XL
Front and Rear Wheels (Motor)**



PART #	PART NAME	SPEC	NOTE
S-0C42-E	BOLT TORX T25, M5 x 12 x 9.5	TORX T25, M5 x 12 x 9.5	red color
P-0T172	BRAKE ROTOR, DISC 140mm Motor	Ø140 x 1.85t x Ø48.2	
S-9T85-D	MOTOR	MOTOR (48V/60V/72V)	Front and Rear Wheel
TB-011	TUBE 85/65-6	266x85-153	Front and Rear Wheel
P-0T127	WASHER, INNER TUBE RUBBER		
TR-011	TIRE 85/65-6	266x85-153	Front and Rear Wheel
S-9T85-D-assy	MOTOR REAR - full assy	RH/LH Rotation inverter "jumper" used on LH motor	with tire, tube, brake rotor, axle spacers, key washers and bolts

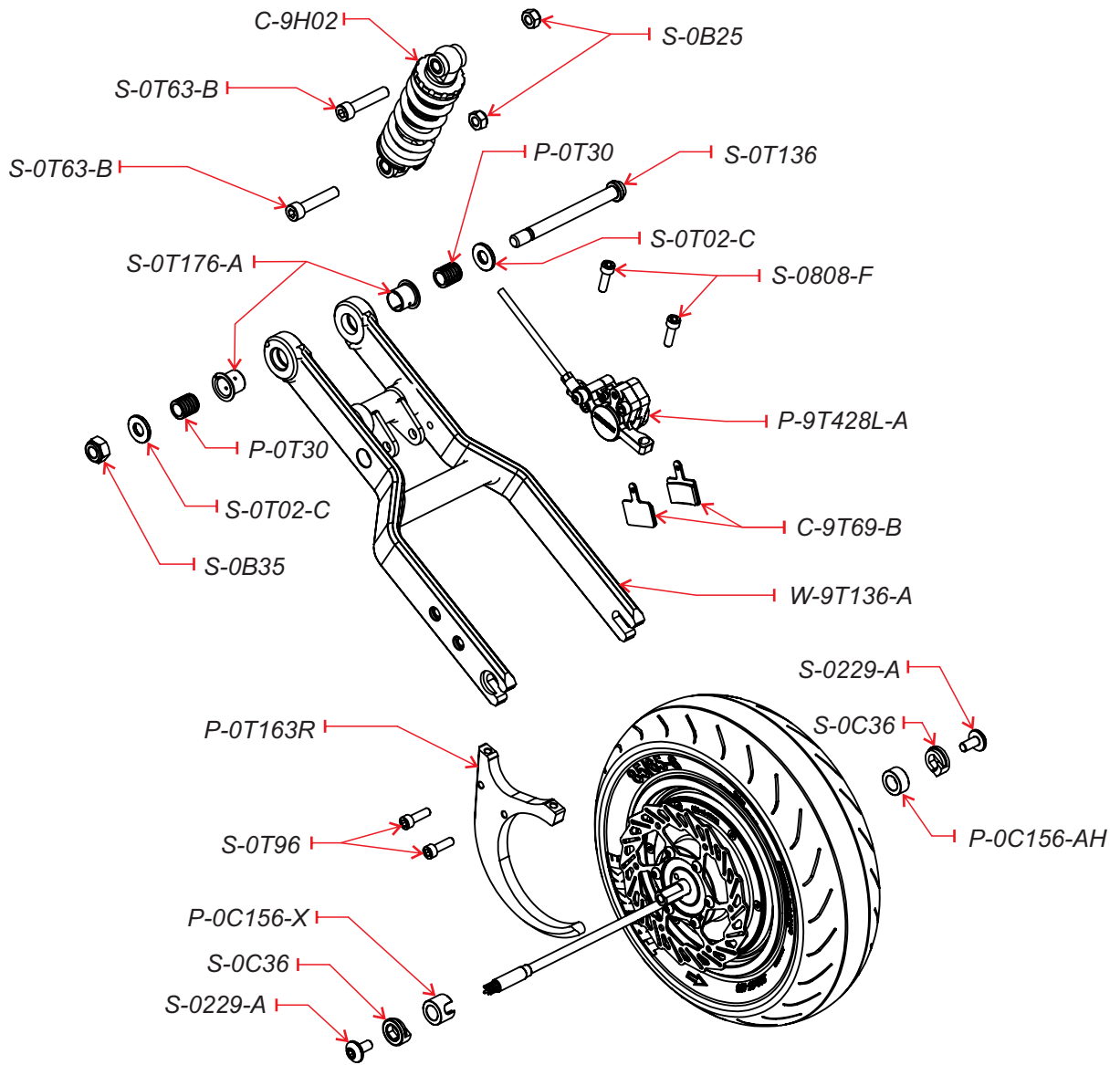
SWING ARM RIGHT

STANDART AIR OR SOLID TIRE



PART #	PART NAME	SPEC	NOTE
C-9H02	SHOCK ABSORBER C/C100mm air 2018-2020		
	SHOCK ABSORBER C/C125mm spring/oil 2021		
	SHOCK ABSORBER C/C125mm spring 2021 (2WD)		
S-0B25	NUT NYLOCK, M8x1.25 (DIN 985)		
S-0T63-B	BOLT, M8 x 45 x 13 (DIN 912)		
S-0T176-A	BUSHING, SWING ARM FLANGED 2018-2020		
	BUSHING, SWING ARM FLANGED 2021		
P-0T30	SPACER, SWING ARM AXLE		
S-0T02-C	WASHER, Ø22 x Ø10.1 x 2.5t		
S-0T136	BOLT, M10x1.25 x 109 x 16		
S-0808-F	BOLT, M6 x 18 x 11	red with washer	
S-0B35	NUT NYLOCK, M10x1.25		
S-0229-A	BOLT, M7 x 15 x 17		
S-0C36	WASHER, MOTOR AXLE LOCK		
P-0C156-U	SPACER, MOTOR AXLE 15.1mm	CABLE SIDE (1 or 2 SEAL)	
P-0C156-I	SPACER, MOTOR AXLE 11.3mm	OTHER SIDE (1 SEAL)	
P-0C156-AA	SPACER, MOTOR AXLE 3mm	OTHER SIDE (2 SEAL)	
W-9T136	SWING ARM WELDED		
P-0T163R	ADAPTOR RH, CALIPER - (RIGHT ARM)		
S-0T96	BOLT, M6 x 16 x 10 (DIN 912)		
C-9T38-L	BRAKE CALIPER LH		red caliper
C-9T69-A	PAD SET, BRAKE CALIPER (pair, one caliper)		red caliper

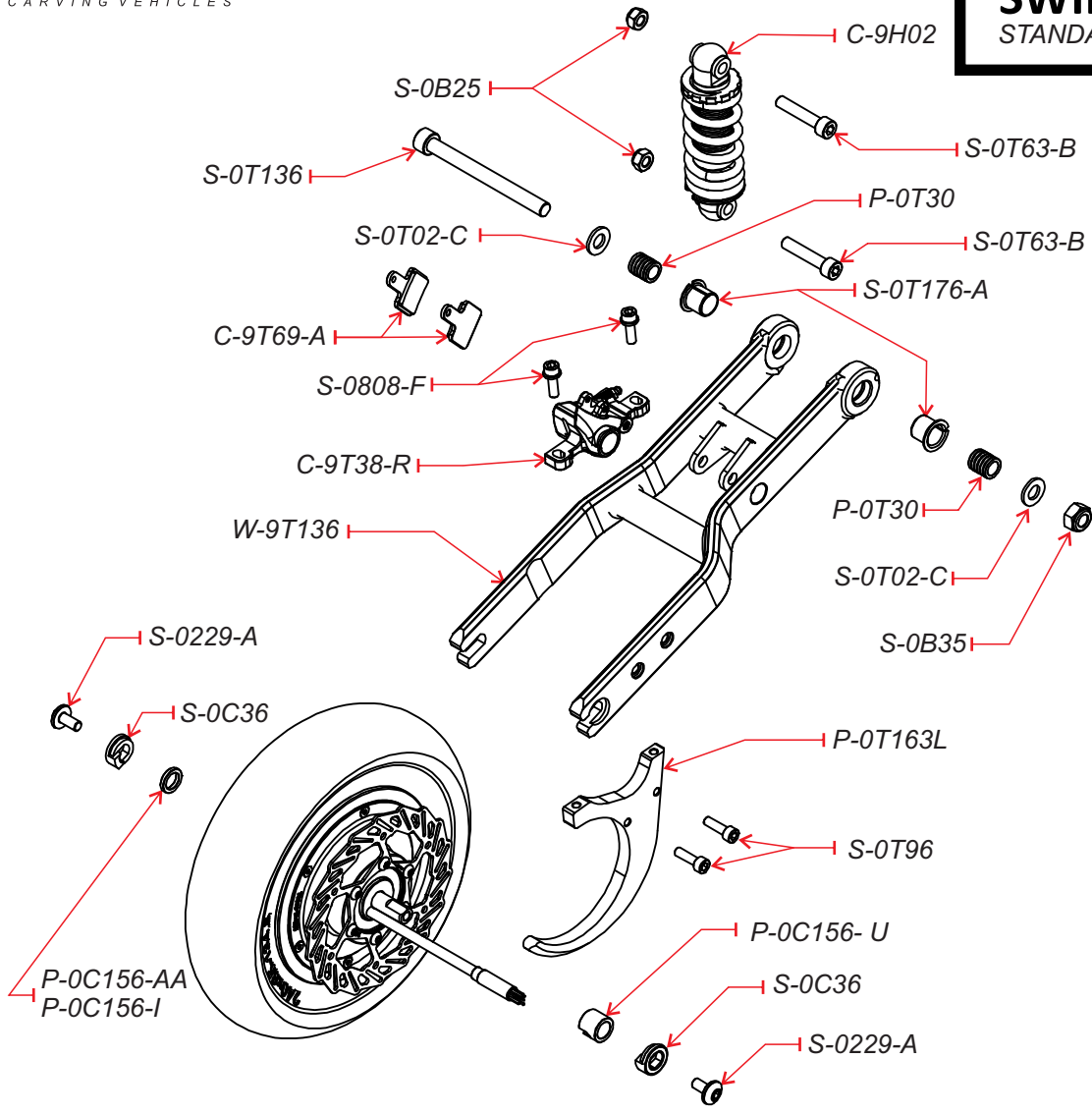
SWING ARM RIGHT XL



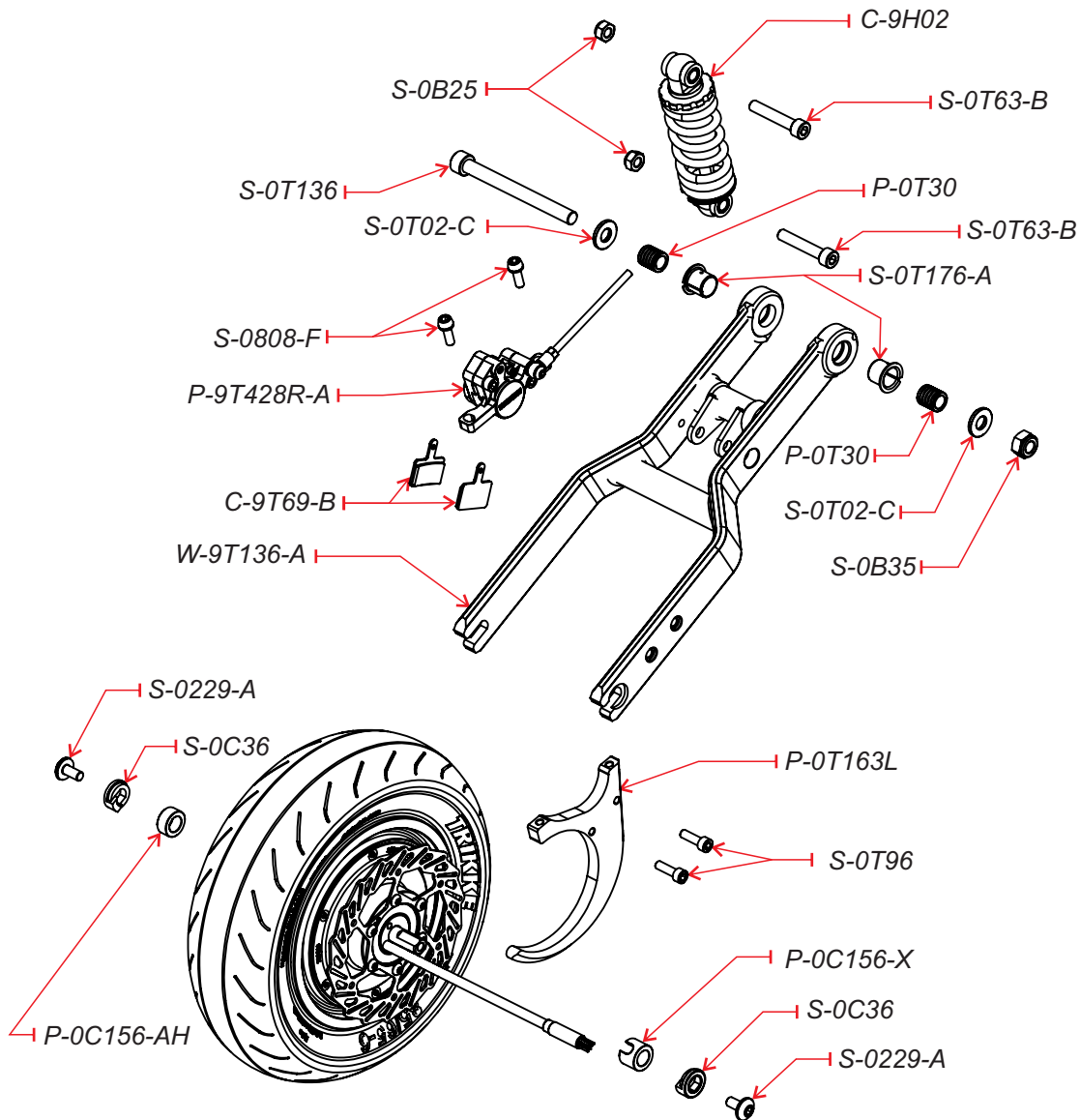
PART #	PART NAME	SPEC	NOTE
C-9H02	SHOCK ABSORBER C/C125mm spring/oil		
S-0B25	NUT NYLOCK, M8x1.25 (DIN 985)		
S-0T63-B	BOLT, M8 x 45 x 13 (DIN 912)		
S-0T176-A	BUSHING, SWING ARM FLANGED		
P-0T30	SPACER, SWING ARM AXLE		
S-0T02-C	WASHER, Ø22 x Ø10.1 x 2.5t		
S-0T136	BOLT, M10x1.25 x 109 x 16		
S-0808-F	BOLT, M6 x 18 x 11	red with washer	
S-0B35	NUT NYLOCK, M10x1.25		
S-0229-A	BOLT, M7 x 15 x 17		
S-0C36	WASHER, MOTOR AXLE LOCK		
P-0C156-X	SPACER, MOTOR AXLE 15mm	CABLE SIDE	
P-0C156-AH	SPACER, MOTOR AXLE 9.1mm	OTHER SIDE	
W-9T136-A	SWING ARM WELDED		
P-0T163R	ADAPTOR RH, CALIPER - (RIGHT ARM)		
S-0T96	BOLT, M6 x 16 x 10 (DIN 912)		
P-9T428L-A	BRAKE CALIPER LH		
C-9T69-B	PAD SET, BRAKE CALIPER (pair, one caliper)		

SWING ARM LEFT

STANDART AIR OR SOLID TIRE



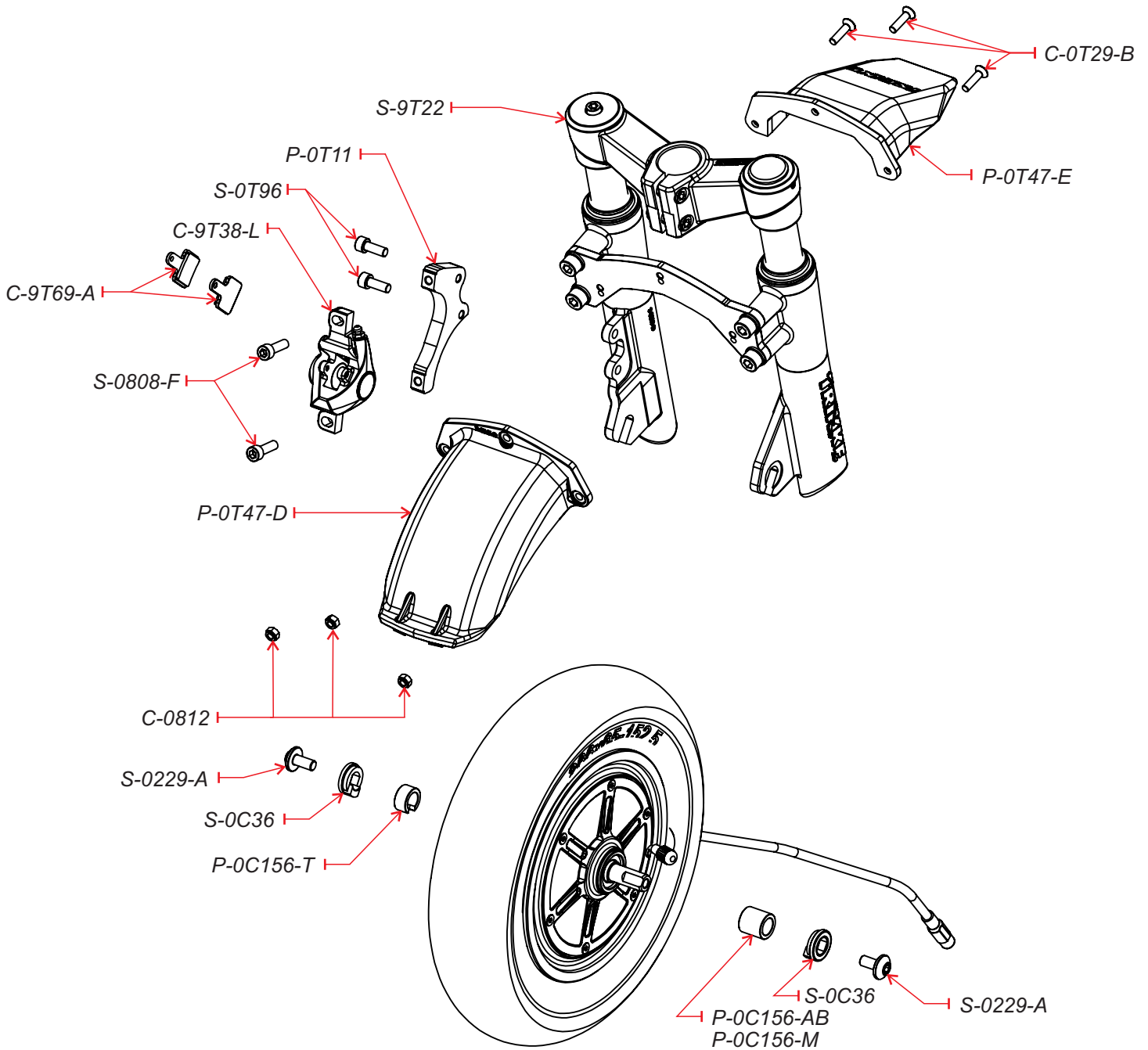
PART #	PART NAME	SPEC	NOTE
C-9H02	SHOCK ABSORBER C/C100mm air 2018-2020		
	SHOCK ABSORBER C/C125mm spring/oil 2021		
	SHOCK ABSORBER C/C125mm spring 2021 (2WD)		
S-0B25	NUT NYLOCK, M8x1.25 (DIN 985)		
S-0T63-B	BOLT, M8 x 45 x 13 (DIN 912)		
S-0T176-A	BUSHING, SWING ARM FLANGED 2018-2020		
	BUSHING, SWING ARM FLANGED 2021		
P-0T30	SPACER, SWING ARM AXLE		
S-0T02-C	WASHER, Ø22 x Ø10.1 x 2.5t		
S-0T136	BOLT, M10x1.25 x 109 x 16		
S-0808-F	BOLT, M6 x 18 x 11	red with washer	
S-0B35	NUT NYLOCK, M10x1.25		
S-0229-A	BOLT, M7 x 15 x 17		
S-0C36	WASHER, MOTOR AXLE LOCK		
P-0C156-U	SPACER, MOTOR AXLE 15.1mm	CABLE SIDE (1 or 2 SEAL)	
P-0C156-I	SPACER, MOTOR AXLE 11.3mm	OTHER SIDE (1 SEAL)	
P-0C156-AA	SPACER, MOTOR AXLE 3mm	OTHER SIDE (2 SEAL)	
W-9T136	SWING ARM WELDED		
P-0T163L	ADAPTOR LH, CALIPER - (LEFT ARM)		
S-0T96	BOLT, M6 x 16 x 10 (DIN 912)		
C-9T38-R	BRAKE CALIPER RH		red caliper
C-9T69-A	PAD SET, BRAKE CALIPER (pair, one caliper)		red caliper



PART #	PART NAME	SPEC	NOTE
C-9H02	SHOCK ABSORBER C/C125mm spring/oil		
S-0B25	NUT NYLOCK, M8x1.25 (DIN 985)		
S-0T63-B	BOLT, M8 x 45 x 13 (DIN 912)		
S-0T176-A	BUSHING, SWING ARM FLANGED		
P-0T30	SPACER, SWING ARM AXLE		
S-0T02-C	WASHER, Ø22 x Ø10.1 x 2.5t		
S-0T136	BOLT, M10x1.25 x 108 x 16		
S-0808-F	BOLT, M6 x 18 x 11	red with washer	
S-0B35	NUT NYLOCK, M10x1.25		
S-0229-A	BOLT, M7 x 15 x 17		
S-0C36	WASHER, MOTOR AXLE LOCK		
P-0C156-X	SPACER, MOTOR AXLE 15mm	CABLE SIDE	
P-0C156-AH	SPACER, MOTOR AXLE 9.1mm	OTHER SIDE	
W-9T136-A	SWING ARM WELDED		
P-0T163R	ADAPTOR LH, CALIPER - (LEFT ARM)		
S-0T96	BOLT, M6 x 16 x 10 (DIN 912)		
P-9T428R-A	BRAKE CALIPER RH		
C-9T69-B	PAD SET, BRAKE CALIPER (pair, one caliper)		

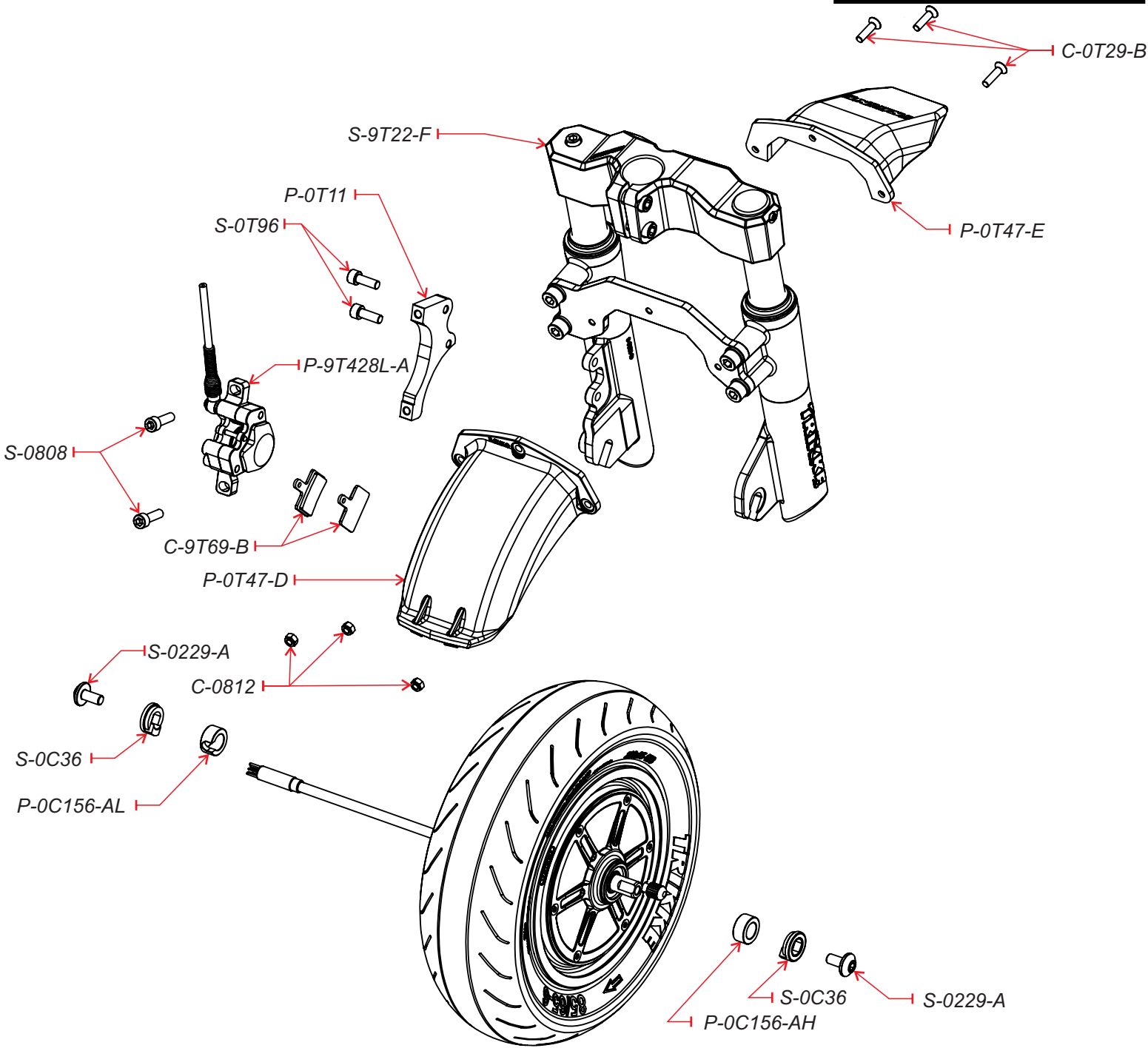
FRONT FORK

STANDART AIR OR SOLID TIRE



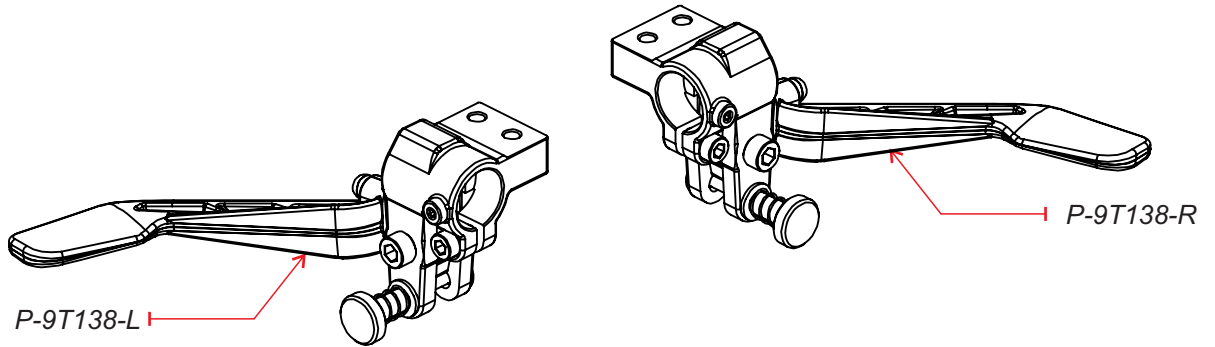
PART #	PART NAME	SPEC	NOTE
S-9T22	FRONT FORK SUS		
P-0T11	ADAPTER, CALIPER		
C-9T38-L	BRAKE CALIPER LH		red caliper
C-9T69-A	PAD, BRAKE CALIPER		red caliper
S-0808-F	BOLT, M6 x 18 x 11	red with washer	
S-0T96	BOLT, M6 x 16 x 10 (DIN 912)		
C-0T29-B	BOLT, M5 x 20 x 10 (DIN 7991)		
P-0T47-D	FENDER BACK, FRONT		
P-0T47-E	FENDER FRONT, FRONT		
C-0812	NUT, M5 NYLOCK (DIN 985)		
S-0229-A	BOLT, M7 x 15 x 17		
S-0C36	WASHER, MOTOR AXLE LOCK		
P-0C156-T	SPACER, MOTOR AXLE 9.2mm	CABLE SIDE (1 or 2 SEAL)	
P-0C156-M	SPACER, MOTOR AXLE 28mm	OTHER SIDE (1 SEAL)	
P-0C156-AB	SPACER, MOTOR AXLE 18mm	OTHER SIDE (2 SEAL)	

FRONT FORK XL

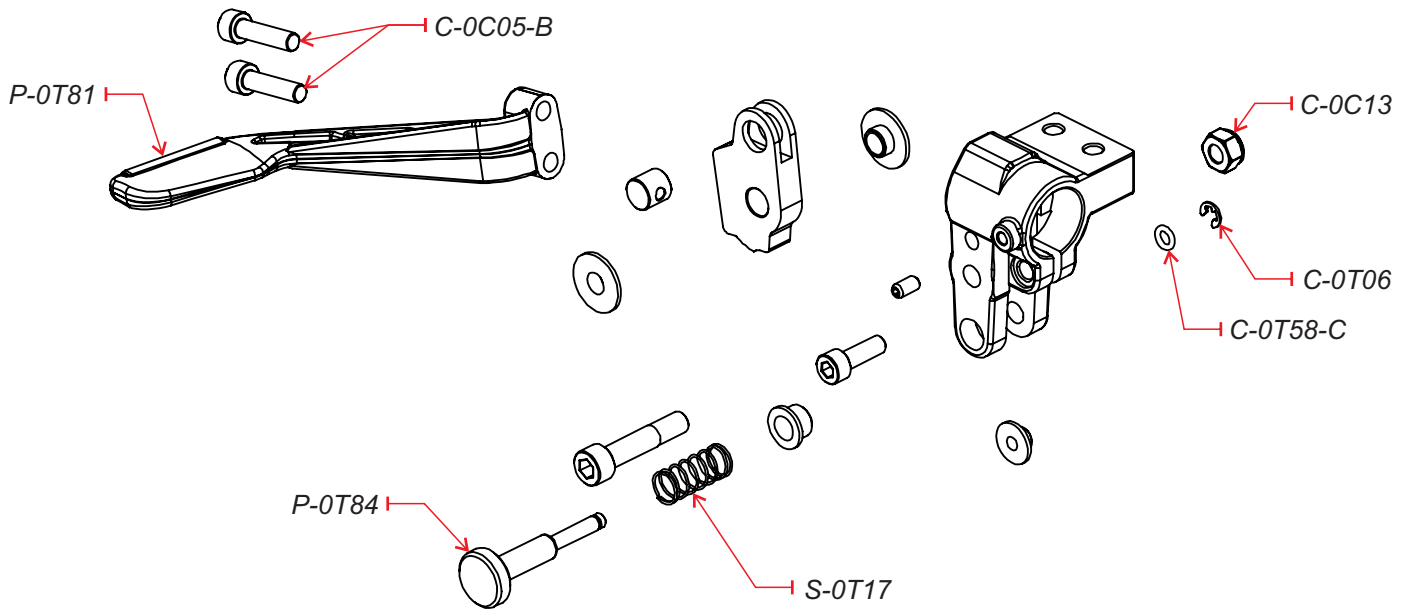


PART #	PART NAME	SPEC	NOTE
S-9T22-F	FRONT FORK SUS		
P-0T11	ADAPTER, CALIPER		
P-9T428L-A	BRAKE CALIPER LH		
C-9T69-B	PAD, BRAKE CALIPER		
S-0808-F	BOLT, M6 x 18 x 11	red with washer	
S-0T96	BOLT, M6 x 16 x 10 (DIN 912)		
C-0T29-B	BOLT, M5 x 20 x 10 (DIN 7991)		
P-0T47-D	FENDER BACK, FRONT		
P-0T47-E	FENDER FRONT, FRONT		
C-0812	NUT, M5 NYLOCK (DIN 985)		
S-0229-A	BOLT, M7 x 15 x 17		
S-0C36	WASHER, MOTOR AXLE LOCK		
P-0C156-AL	SPACER, MOTOR AXLE 9.3mm	CABLE SIDE	
P-0C156-AH	SPACER, MOTOR AXLE 9.1mm	OTHER SIDE	

BRAKE LEVER



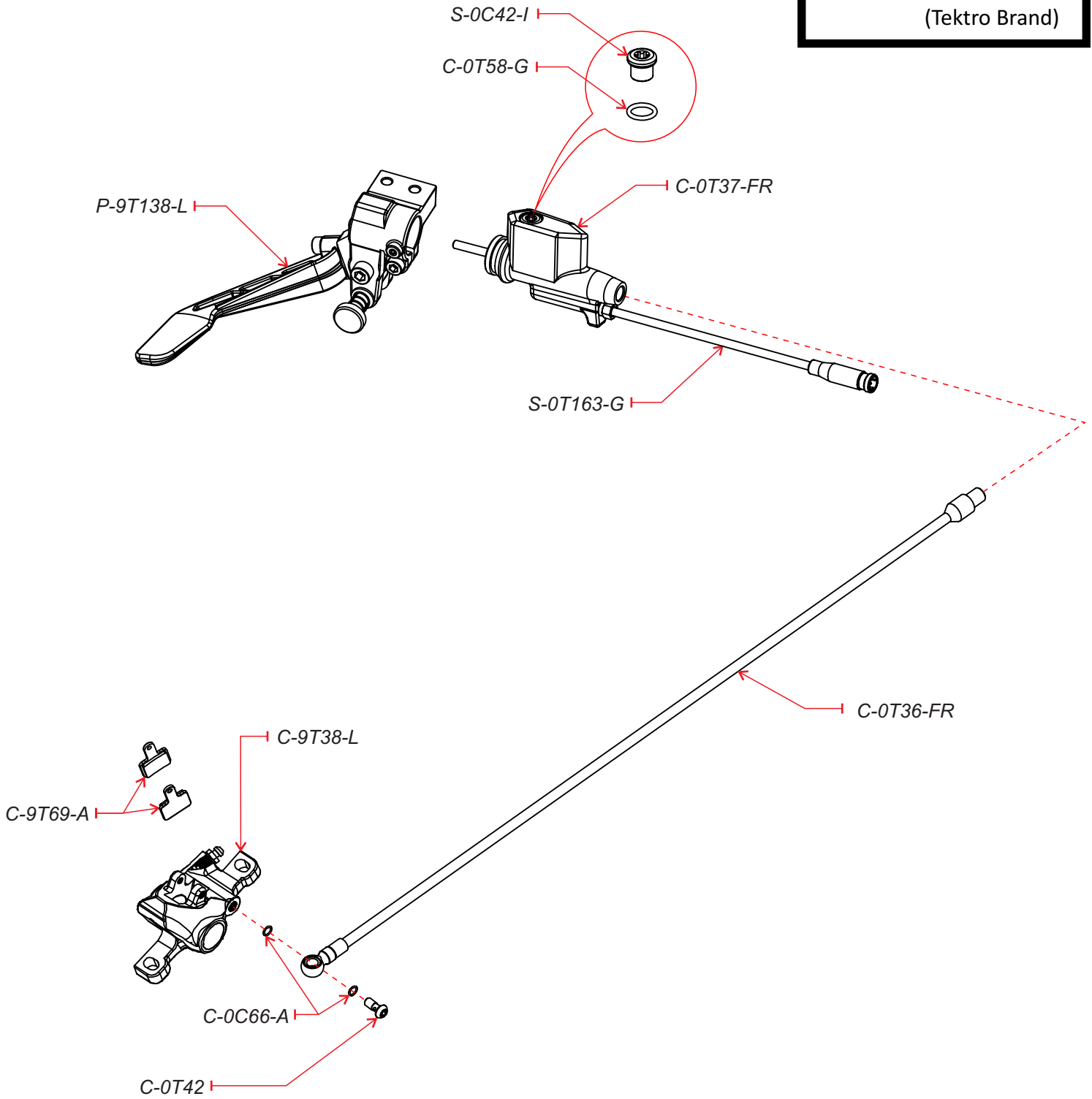
PART #	PART NAME	SPEC	NOTE
P-9T138-L	BRAKE LEVER ASSY LH		
P-9T138-R	BRAKE LEVER ASSY RH		



PART #	PART NAME	SPEC	NOTE
C-0T06	LOCK WASHER 4mm		
C-0T058-C	O'RING 6 x 1.5		
C-0C13	NUT, M6 NYLOCK (DIN 985)		
S-0T17	SPRING, PARK PIN		
P-0T84	PIN, BRAKE LEVER PARK		
P-0T81	PADDLE, BRAKE LEVER		
C-0C05-B	BOLT, M5 x 20 x 8.5 (DIN 912)		

FRONT BRAKE

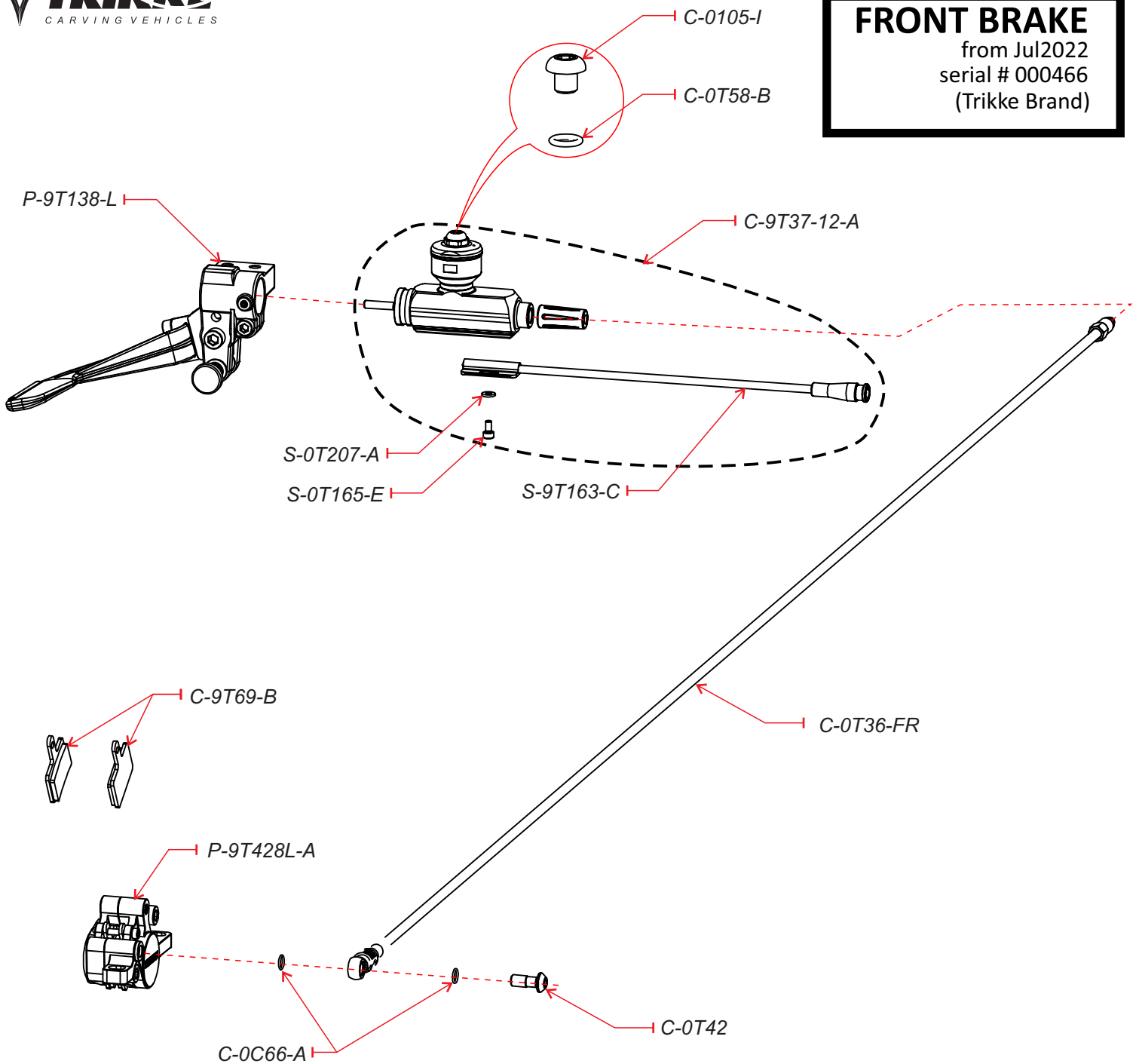
up to Jul2022
serial # 000465
(Tektro Brand)



PART #	PART NAME	SPEC	NOTE
P-9T138-L	BRAKE LEVER ASSY FR		
C-0T37-FR	MASTER CYLINDER, BRAKE FR		black/Tektro Master
S-0T163-G	CABLE 2 PIN - MALE and sensor		
S-0C42-I	BOLT PLUG		
C-0T58-G	O'RING, 4 x 1.7 (lock-pin)		
C-0T36-FR	HOSE, FRONT BRAKE	1330mm	black/Tektro Master
C-9T38-L	BRAKE CALIPER LH		red caliper
C-9T69-A	PAD SET, BRAKE CALIPER (pair, one caliper)		red caliper
C-0C66-A	O'RING (6 x 1)		
C-0T42	EYE BOLT, M6 x 16		

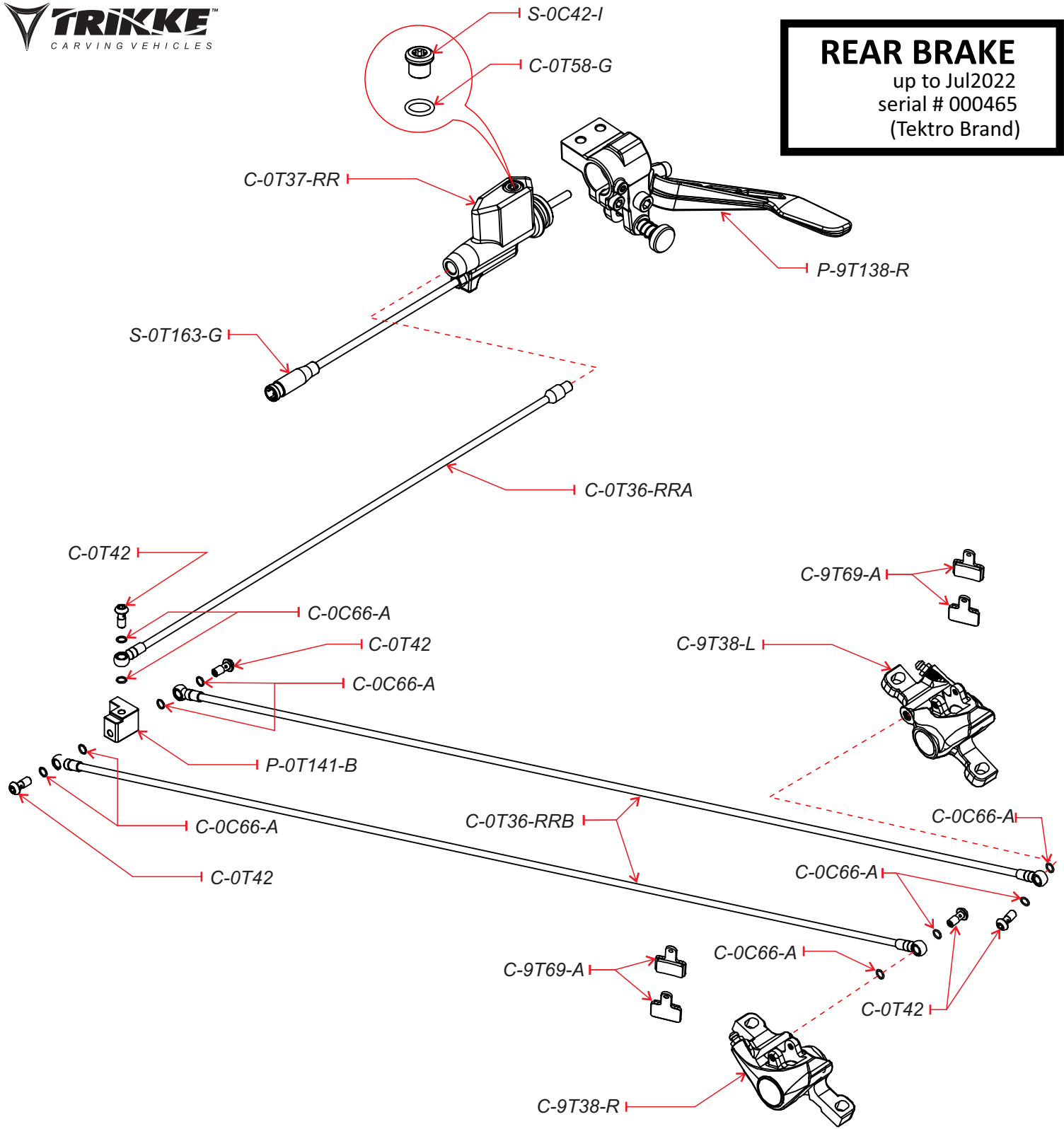
FRONT BRAKE

from Jul2022
serial # 000466
(Trikke Brand)



PART #	PART NAME	SPEC	NOTE
P-9T138-L	BRAKE LEVER ASSY FR		
C-9T37-12-A	MASTER CYLINDER, BRAKE		
S-9T163-C	CABLE 2 PIN - MALE and sensor		
S-0T207-A	WASHER, Ø7 x Ø3.2 x 1 (DIN 7349)		
S-0T165-E	BOLT, M3 x 6 x 5.5 (DIN 912)		
C-0105-I	BOLT PLUG		
C-0T58-B	O'RING 6 x 1.5		
C-0T36-FR	HOSE, FRONT BRAKE	1378mm	
P-9T428L-A	BRAKE CALIPER LH		
C-0C66-A	O'RING (6 x 1)		
C-0T42	EYE BOLT, M6 x 16		

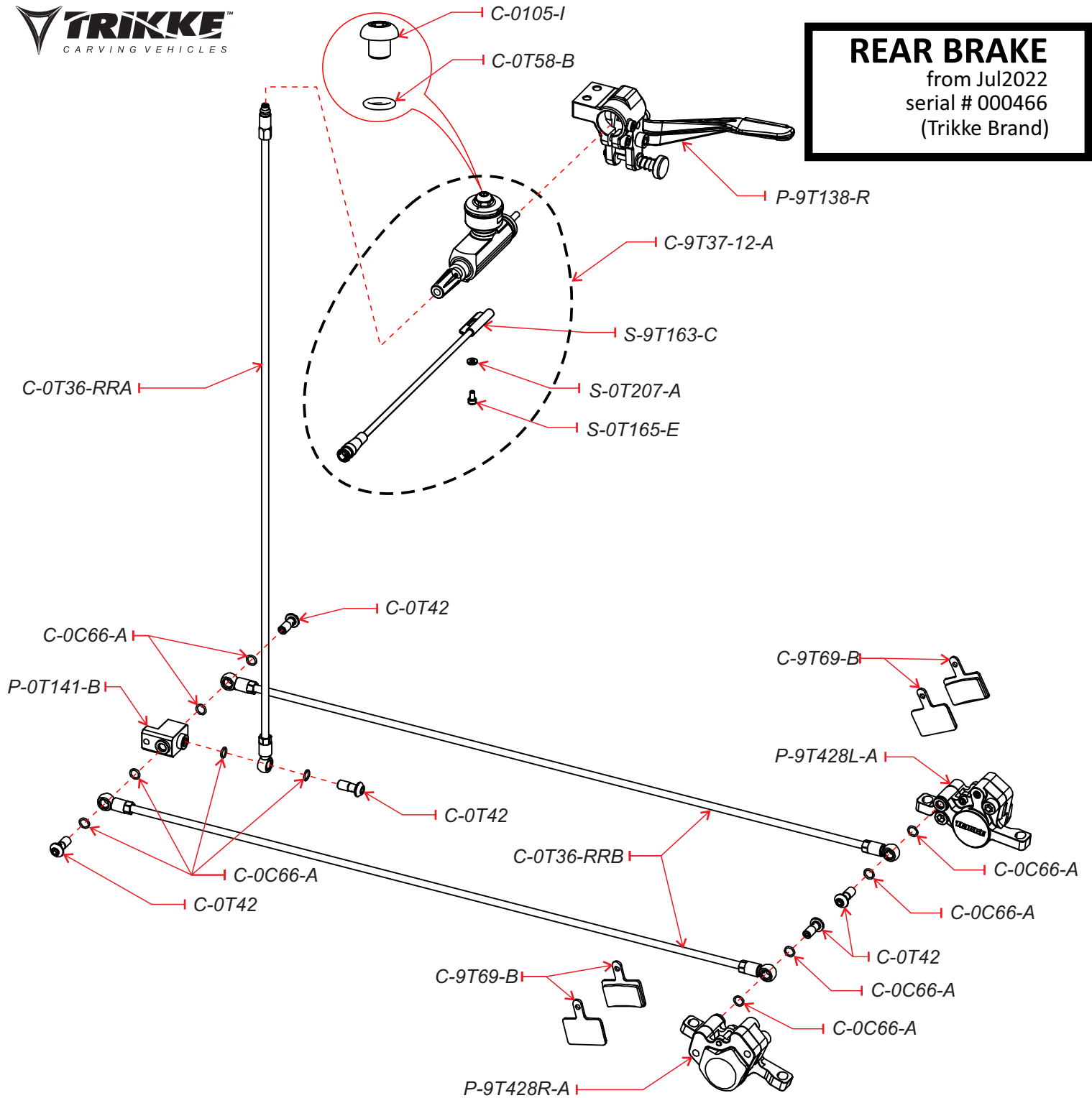
REAR BRAKE

 up to Jul2022
 serial # 000465
 (Tektro Brand)


PART #	PART NAME	SPEC	NOTE
P-9T138-R	BRAKE LEVER ASSY RR		
C-0T37-RR	MASTER CYLINDER, BRAKE RR		black/Tektro Master
S-0T163-G	CABLE 2 PIN - MALE and sensor		
S-0C42-I	BOLT PLUG		
C-0T58-G	O'RING, 4 x 1.7 (lock-pin)		
C-0T36-RRA	HOSE, REAR BRAKE (top) 1037mm	1037mm	black/Tektro Master
C-0T36-RRB	HOSE, REAR BRAKE (rear) 1022mm Left/Right	1022mm	Left/Right
C-9T38-L	BRAKE CALIPER LH		red caliper
C-9T38-R	BRAKE CALIPER RH		red caliper
C-9T69-A	PAD SET, BRAKE CALIPER		red caliper
C-0C66-A	O'RING (6 x 1)		
C-0T42	EYE BOLT, M6 x 16		

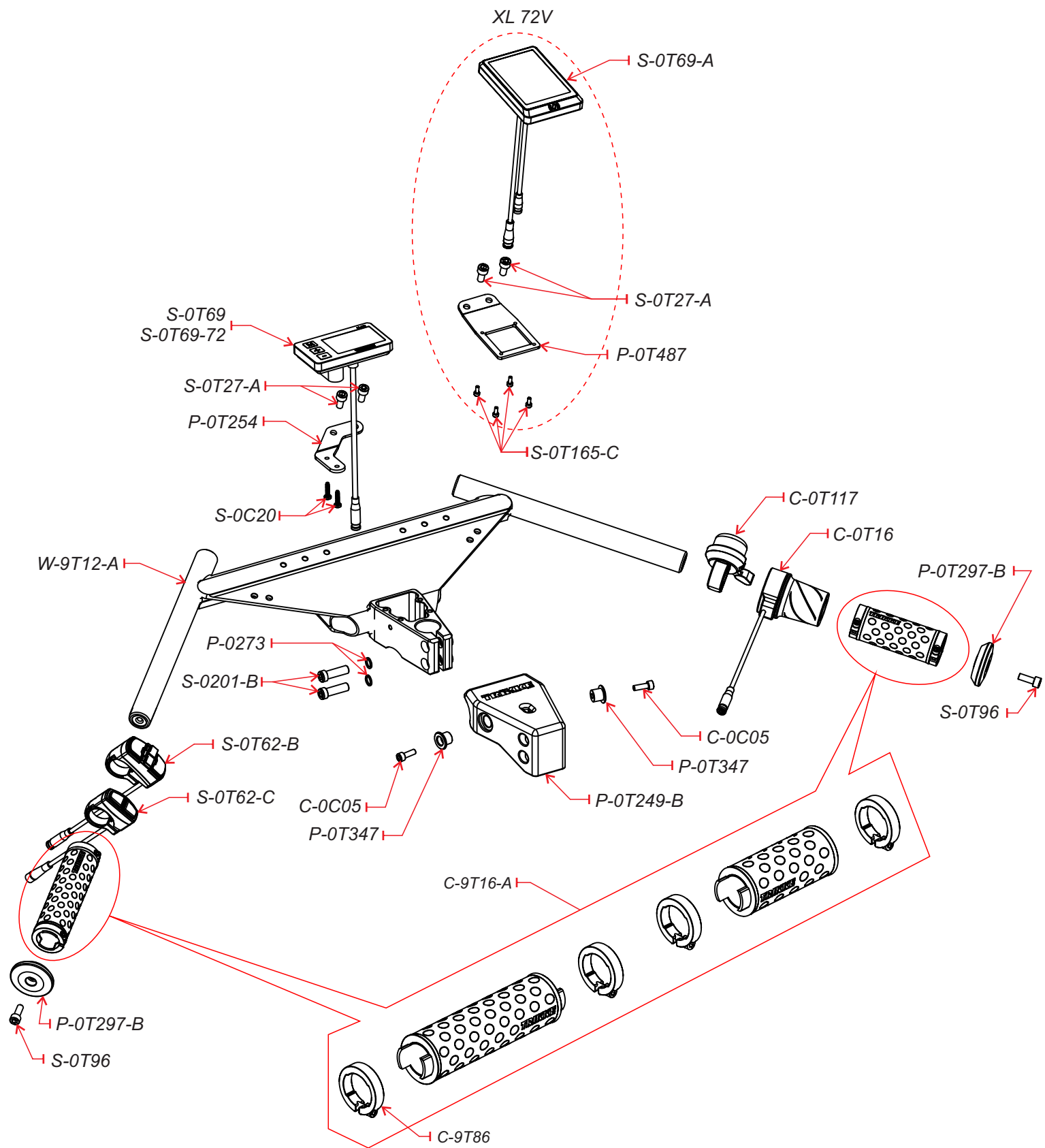
REAR BRAKE

from Jul2022
serial # 000466
(Trikke Brand)

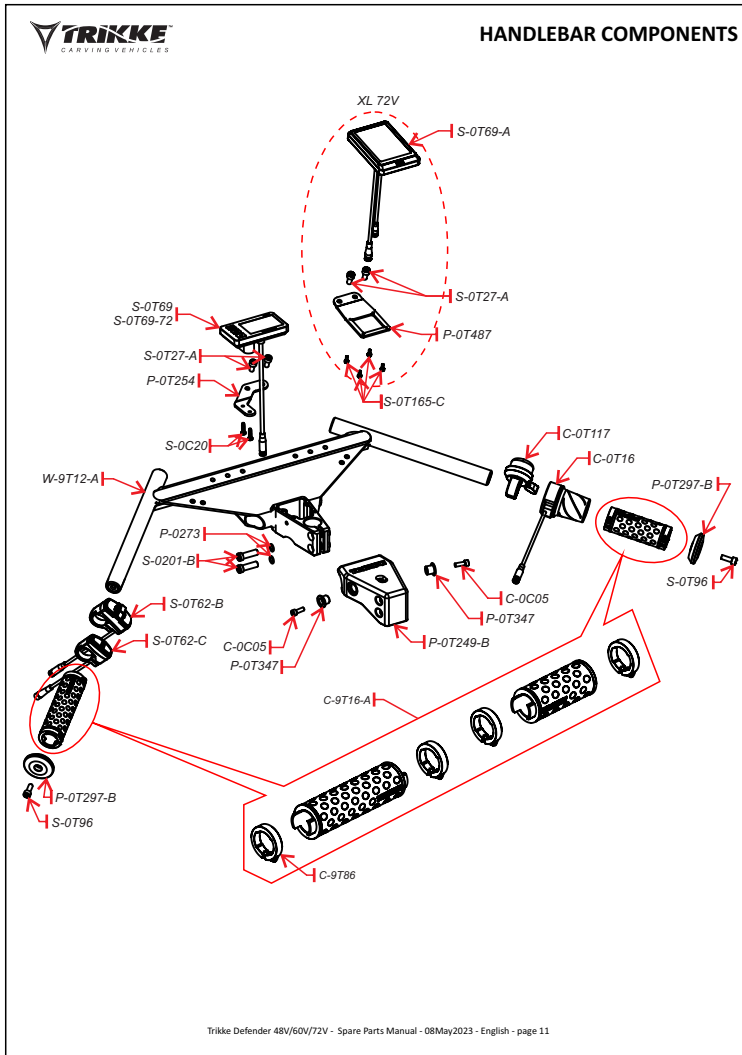


PART #	PART NAME	SPEC	NOTE
P-9T138-R	BRAKE LEVER ASSY RR		
C-9T37-12-A	MASTER CYLINDER, BRAKE		
S-9T163-C	CABLE 2 PIN - MALE and sensor		
S-0T207-A	WASHER, Ø7 x Ø3.2 x 1 (DIN 7349)		
S-0T165-E	BOLT, M3 x 6 x 5.5 (DIN 912)		
C-0105-I	BOLT PLUG		
C-0T58-B	O'RING 6 x 1.5		
C-0T36-RRR	HOSE, REAR BRAKE (top) 1037mm	1037mm	
C-0T36-RRB	HOSE, REAR BRAKE (rear) 1022mm Left/Right	1022mm	Left/Right
P-9T428L-A	BRAKE CALIPER LH		
P-9T428R-A	BRAKE CALIPER RH		
C-0C66-A	O'RING (6 x 1)		
C-0T42	EYE BOLT, M6 x 16		
C-9T69-B	PAD SET, BRAKE CALIPER (pair, one caliper)		

HANDLEBAR COMPONENTS

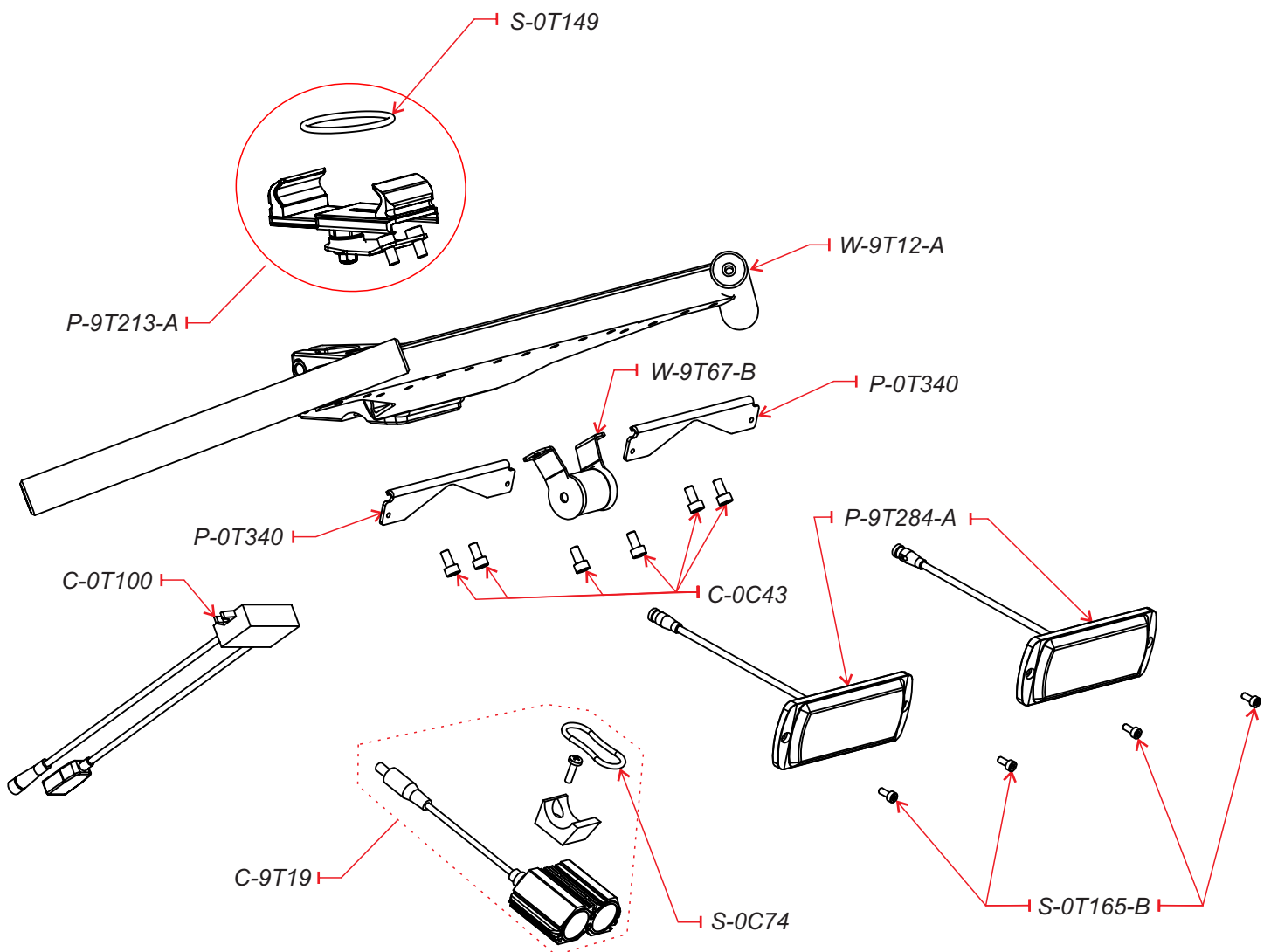


HANDLEBAR COMPONENTS



PART #	PART NAME	SPEC	NOTE
S-0T69	DISPLAY, LCD RFID		48V and 60V
S-0T69-72	DISPLAY, LCD RFID		72V
S-0T69-A	DISPLAY, LCD NFC		XL 72V
P-0T254	BRACKET, DISPLAY		
P-0T487	BRACKET, DISPLAY X6		
S-0T27-A	BOLT, M6 x 12 x 10 (DIN 912)		
S-0C20	SCREW (4X15X7)		
S-0T165-C	BOLT, M3 x 7 x 5.5 (DIN 912)		
W-9T12-A	HANDLEBAR WELDED		
P-0273	WASHER, Ø11 x Ø8.2 x 1.2		
S-0201-B	BOLT, M8 x 25 x 11		
S-0T62-C	SWITCH, 2 BUTTON		
S-0T62-B	SWITCH, 4 BUTTON		
C-0T16	THROTTLE		
C-0T117	BELL		
C-9T16-A	HANDGRIP SET, PAIR		
C-9T86	CLAMP SET, HANDGRIP		with bolt and washer
P-0T297-B	PLUG, HANDLEBAR END		
S-0T96	BOLT, M6 x 16 x 10		
P-0T249-B	PROTECTOR, HANDLEBAR		
P-0T347	FLANGED BUSHING, FOAM PROTECTOR		
C-0C05	BOLT, M5 x 15 x 8.5		

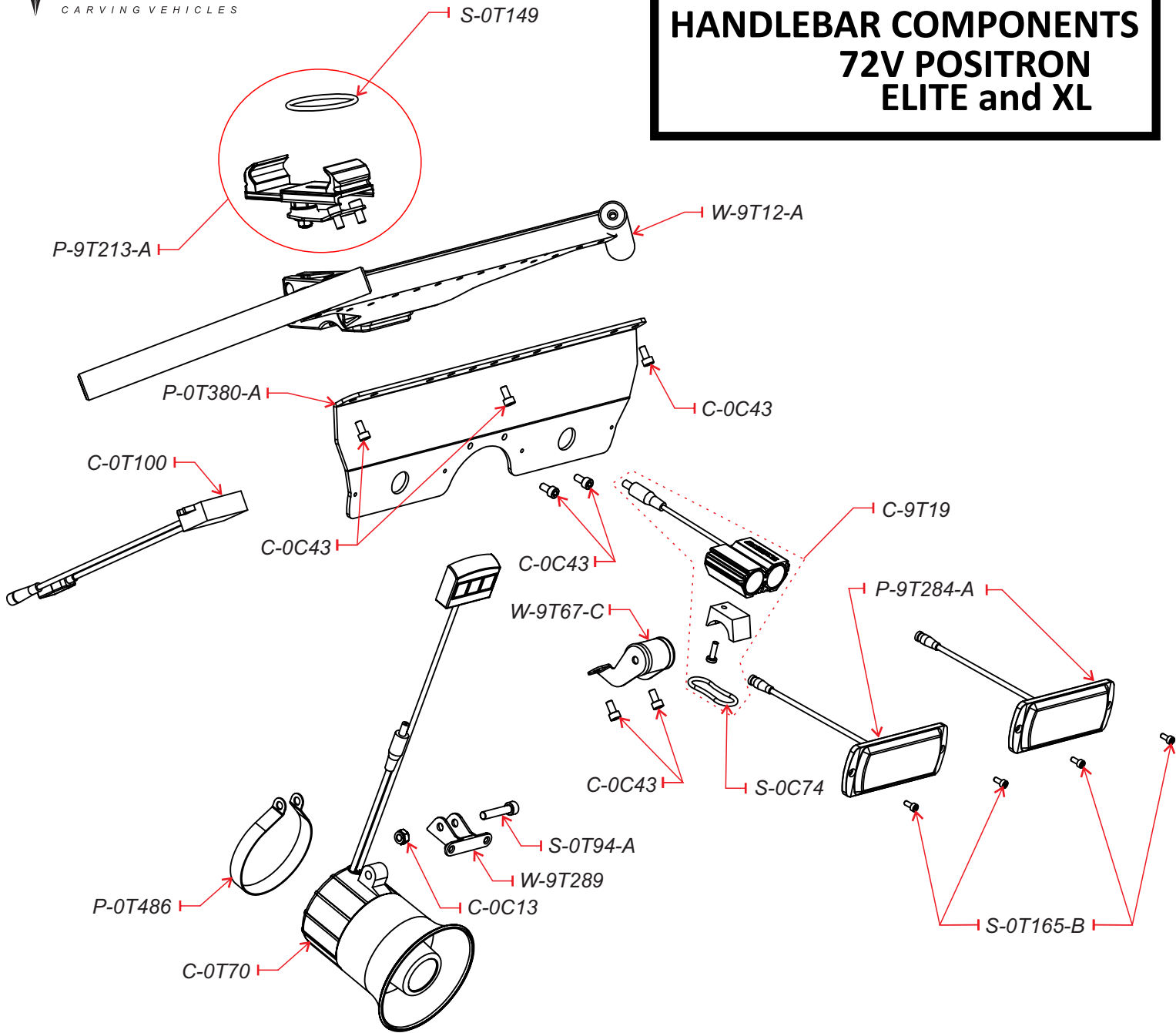
HANDLEBAR COMPONENTS 60V POSITRON



PART #	PART NAME	SPEC	NOTE
C-9T19	LED HEADLIGHT with cradle		
S-0C74	RING, HEADLIGHT rubber		
W-9T67-B	BRACKET, SPOTLIGHT		
P-0T340	BRACKET, EMG LIGHT TOP		
C-0C43	BOLT M5 x 10 x 8.5 (DIN 912)		
P-9T284-A	EMERGENCY LIGHT		Wire = 150mm
S-0T165-B	BOLT, M3.5 x 5 (DIN 912)		
P-9T213-A	PHONE HOLDER		
S-0T149	O'RING Ø2" x 1/8"		
W-9T12-A	HANDLEBAR WELDED		
C-0T100	USB CONVERTER, DC-DC		

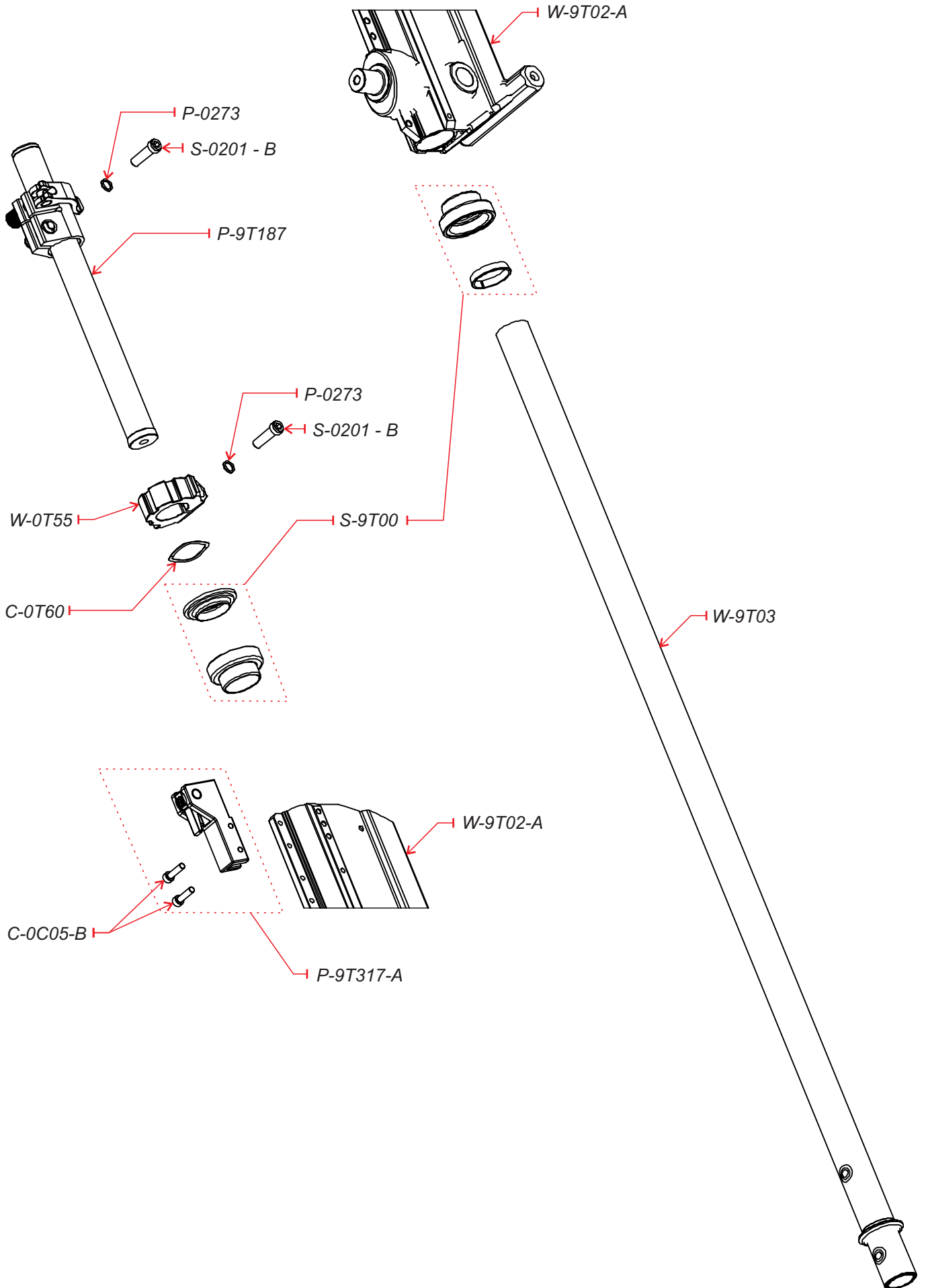
HANDLEBAR COMPONENTS

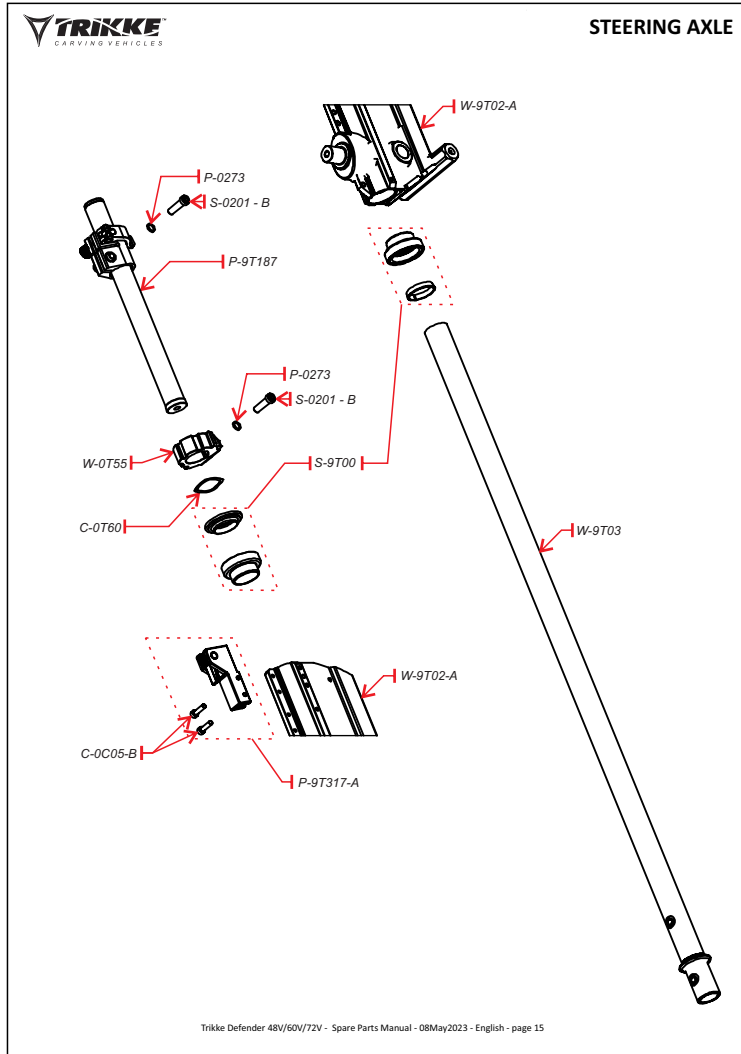
72V POSITRON ELITE and XL



PART #	PART NAME	SPEC	NOTE
C-9T19	LED HEADLIGHT with cradle		
S-0C74	RING, HEADLIGHT rubber		
W-9T67-C	BRACKET, SPOTLIGHT		
W-9T289	BRACKET, BIG SIREN		
C-0C43	BOLT M5 x 10 x 8.5 (DIN 912)		
P-9T284-A	EMERGENCY LIGHT		Wire = 150mm
S-0T165-B	BOLT, M3.5 x 5 (DIN 912)		
P-9T213-A	PHONE HOLDER		
S-0T149	O'RING Ø2" x 1/8"		
W-9T12-A	HANDLEBAR WELDED		
C-0T100	USB CONVERTER, DC-DC		
C-0T70	BIG SIREN		
P-0T486	CLAMP, SIREN BODY		
S-0T94-A	BOLT, M6 x 30 x 10 (DIN 912)		
C-0C13	NUT, M6 NYLOCK (DIN 985)		
P-0T380-A	BOARD, HANDLEBAR		

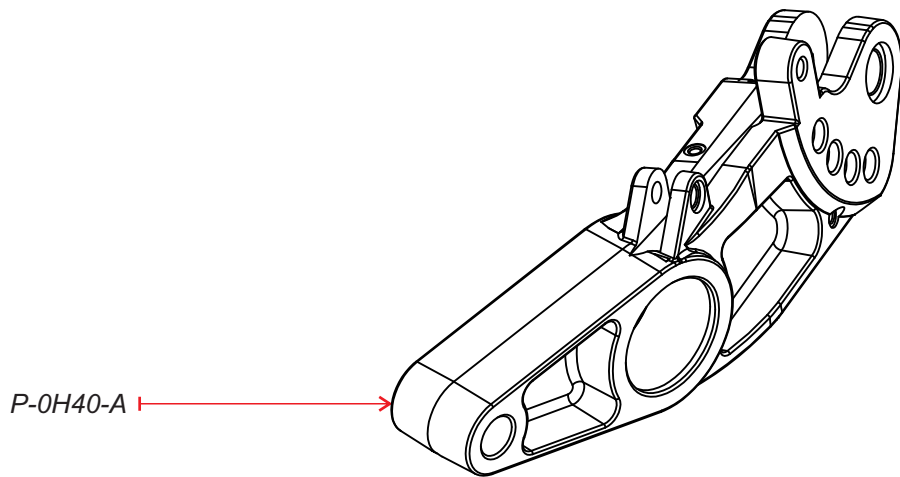
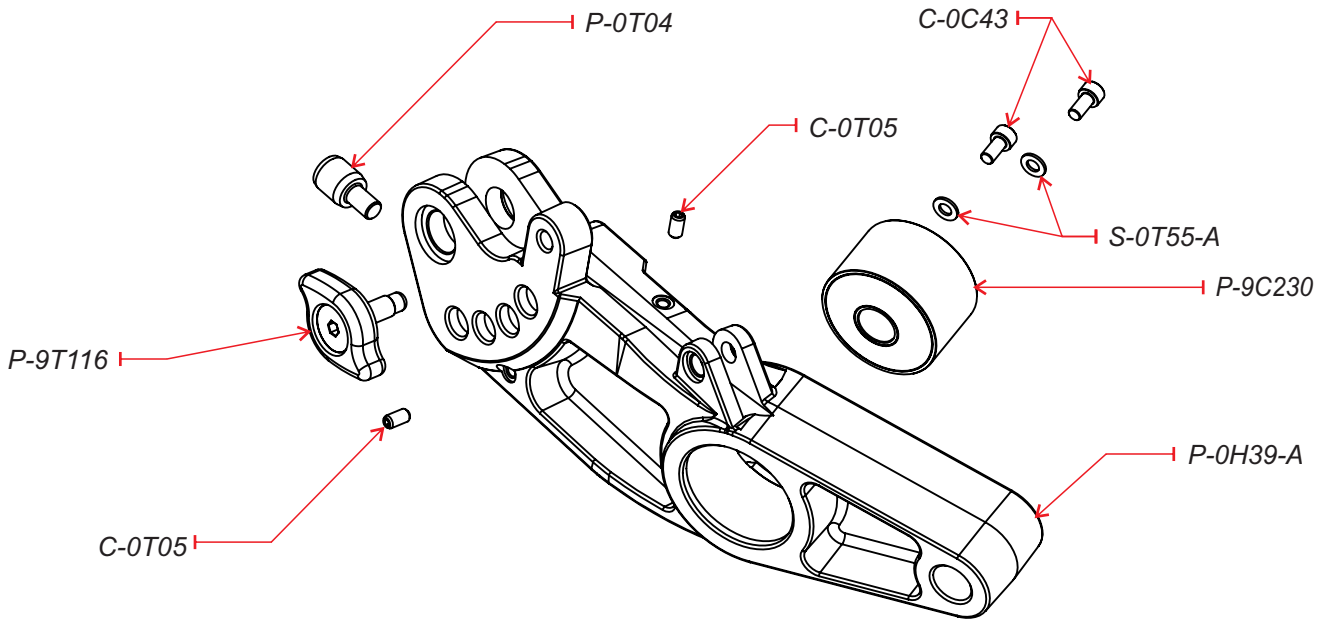
STEERING AXLE





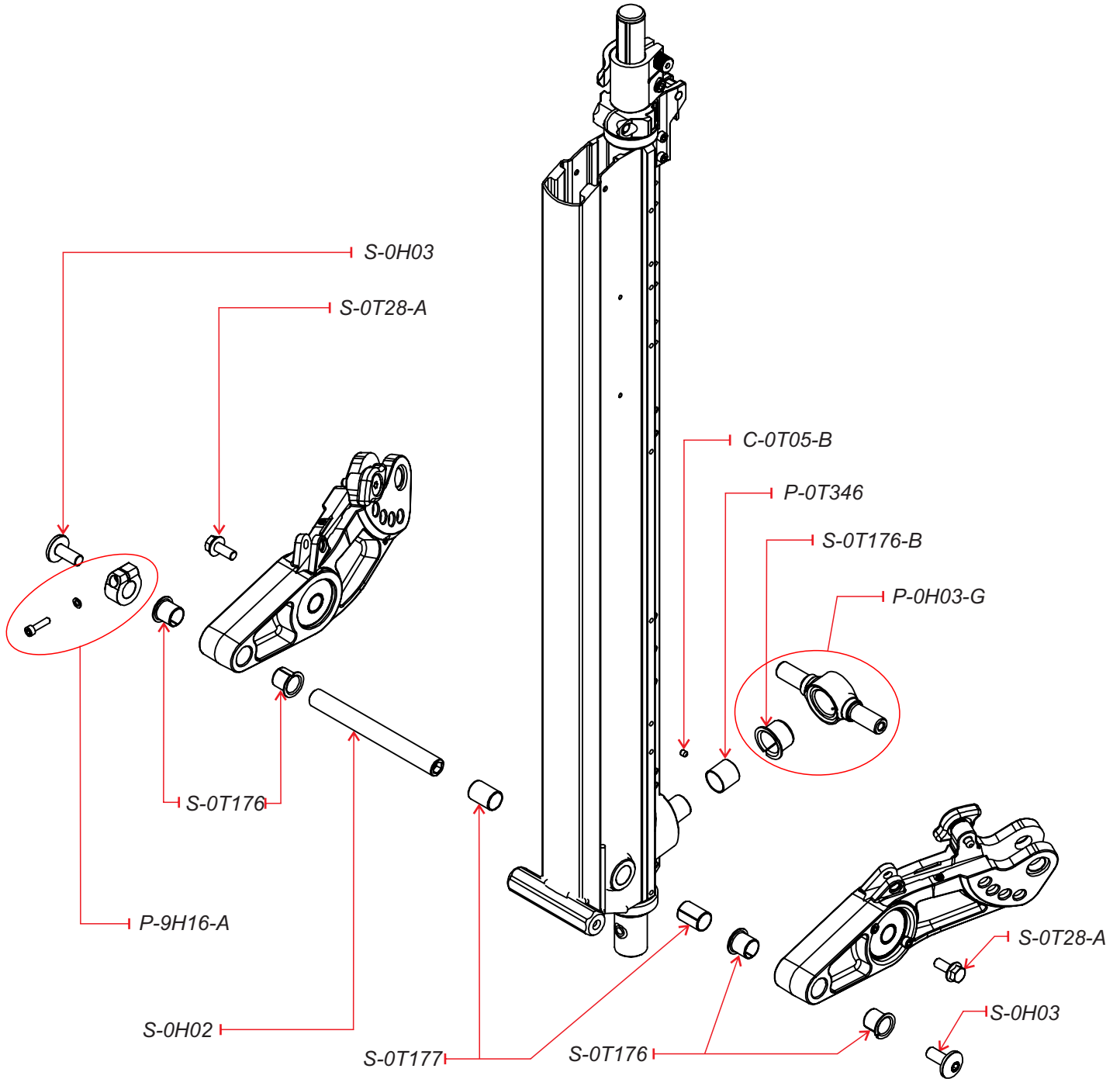
PART #	PART NAME	SPEC	NOTE
P-9T187	HHA ASSY		
W-0T55	COLAR, STEERING		
P-0273	WASHER, Ø11 x Ø8.2 x 1.2		
S-0201-B	BOLT, M8 x 25 x 10.9		
C-0T60	WAVE DISC SPRING		
S-9T00	HEADSET, THREADLESS 1 1/8"		
W-9T02-A	FRONT STRUCTURE WELDED		
W-9T03	STEERING AXLE THREADLESS		
P-9T317-A	STEERING LOCK ASSY		2021
C-0C05-B	BOLT, M5 x 20 x 8.5 (DIN 912)		2021

ARM EXTENSION



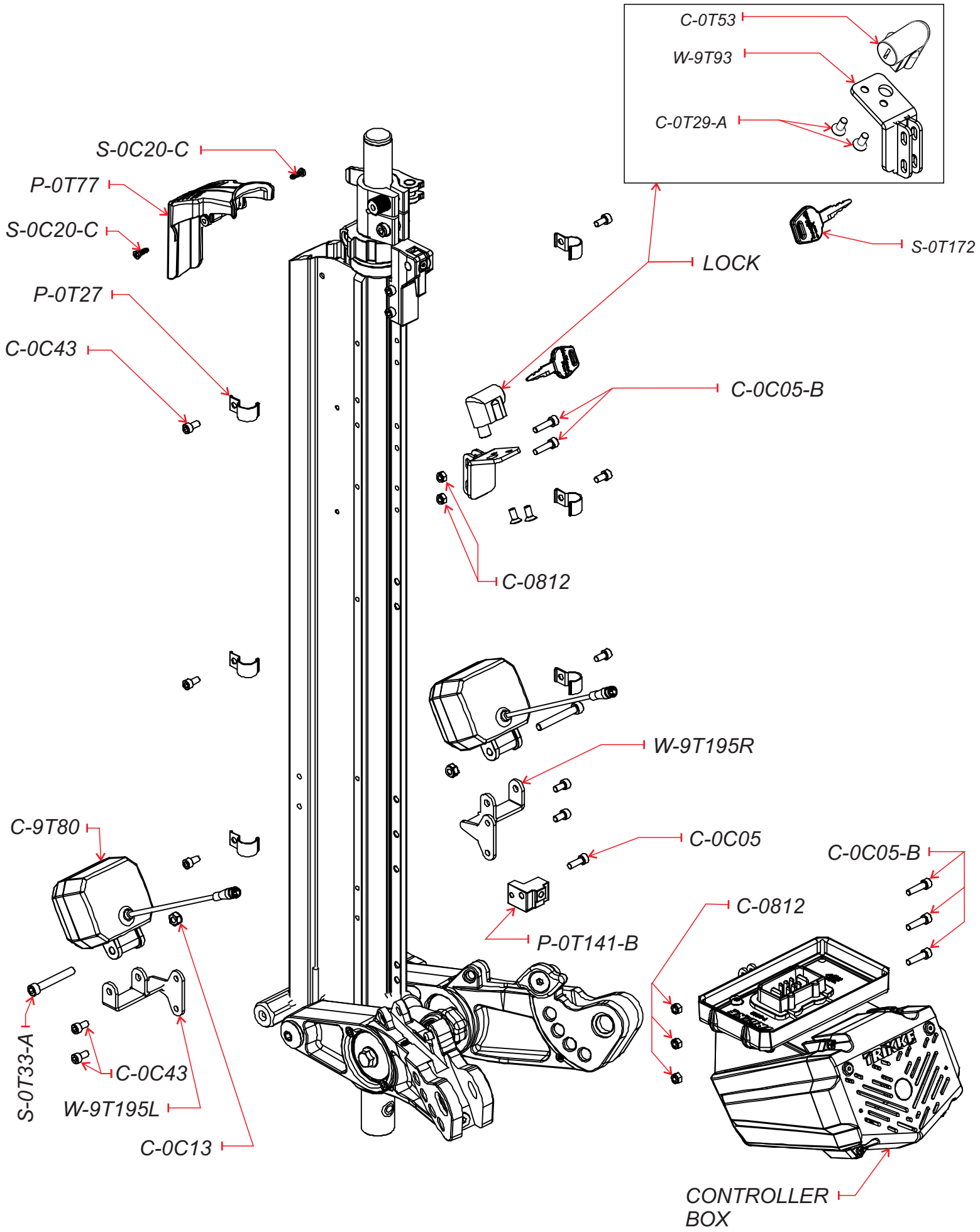
PART #	PART NAME	SPEC	NOTE
P-0H39-A	ARM EXTENSION, LH		
P-0H40-A	ARM EXTENSION, RH		
P-9C230	PU BUSHING		
P-9T116	KNOB, FOLDING BOLT (M8x1)		
P-0T04	ADJUSTER, FOLDING STOPPER		
C-0T05	BOLT, M5 x 10 (DIN 916)		
C-0C43	BOLT, M5 x 10 (DIN 912)		2021
S-0T55-A	WASHER, Ø10 x Ø5.3 x 1 (DIN 125 A)		2021

CAMBERING MECHANISM

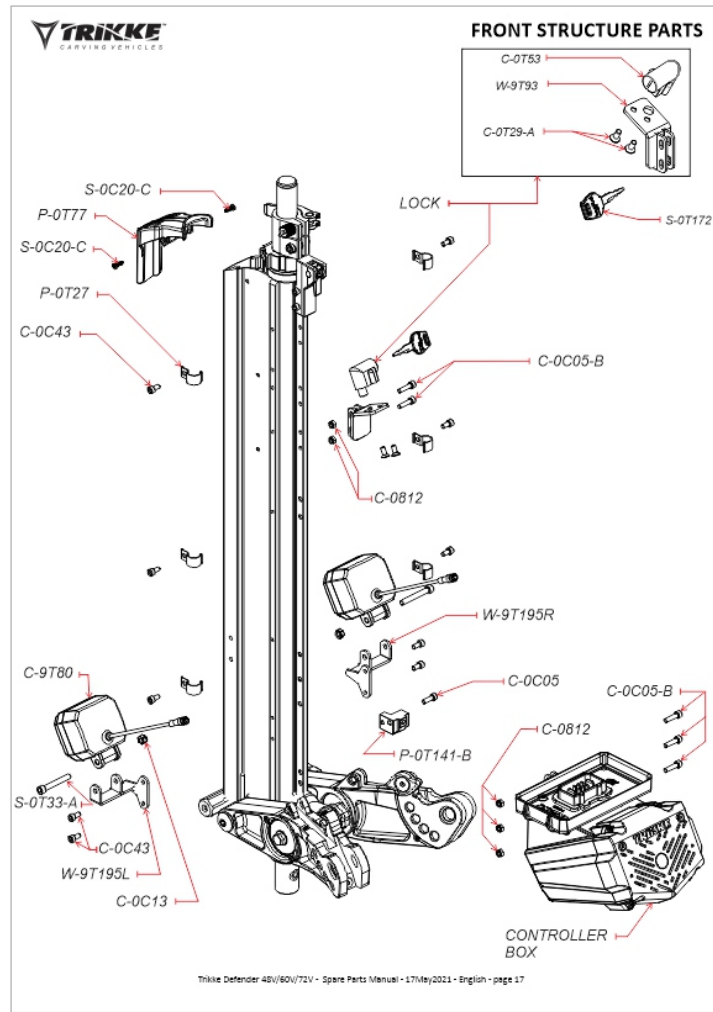


PART #	PART NAME	SPEC	NOTE
P-OH03-G	YOKE		with bushing
S-OT176-B	BUSHING, YOKE FLANGED		
P-OT346	SLEEVE, YOKE PIN		
C-OT05-B	BOLT, M5 x 6 (DIN 916)		
S-OT28-A	FLANGE BOLT, M8 x 20 x 18 (DIN 6921)		
S-OH03	BOLT, MAIN AXLE (M10x25x25)		
S-OT176	BUSHING, MAIN AXLE FLANGED		
S-OT177	BUSHING, MAIN AXLE CENTER		
S-OH02	AXLE MAIN		
P-9H16-A	CLAMP, MAIN AXLE		

FRONT STRUCTURE PARTS

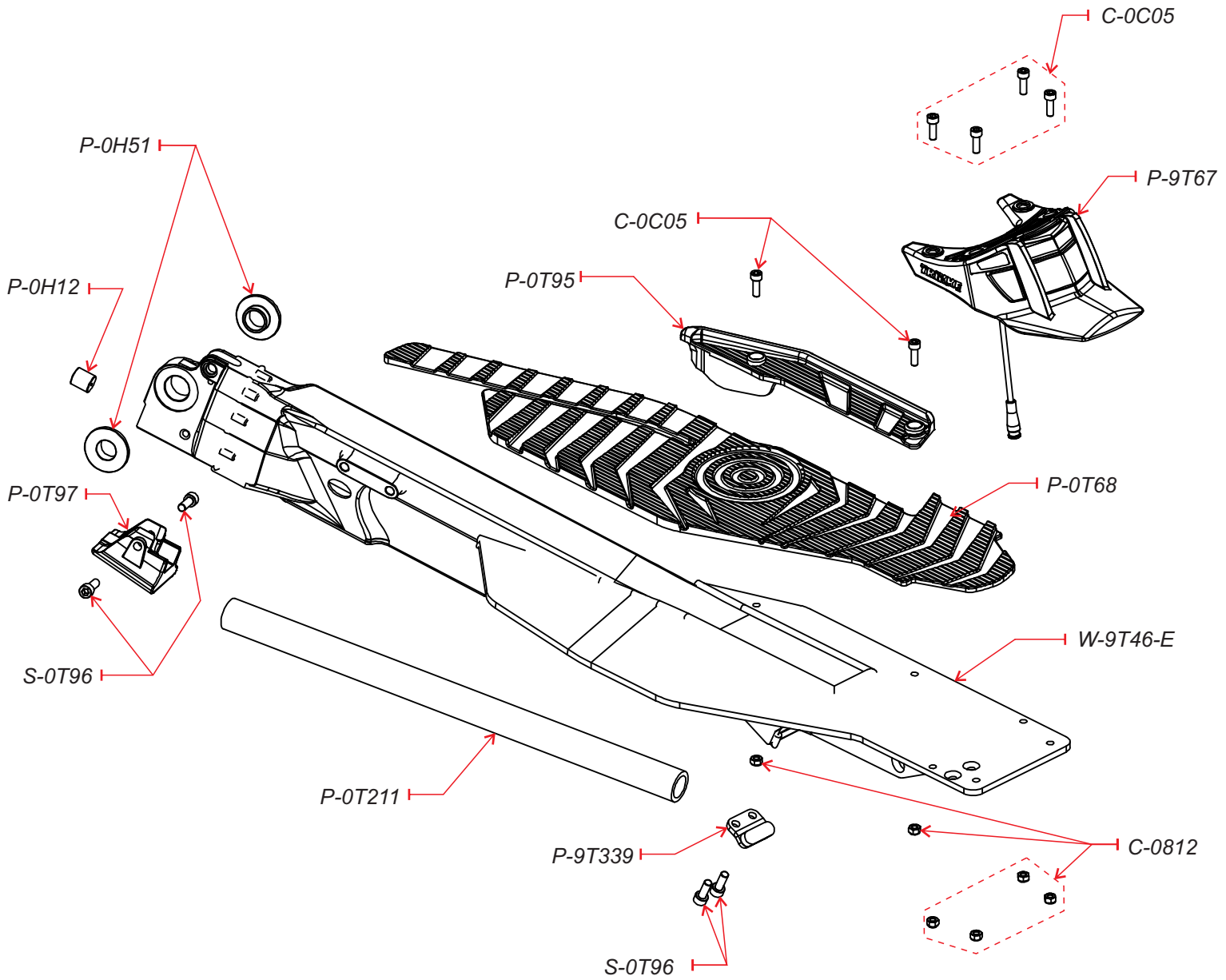


FRONT STRUCTURE PARTS



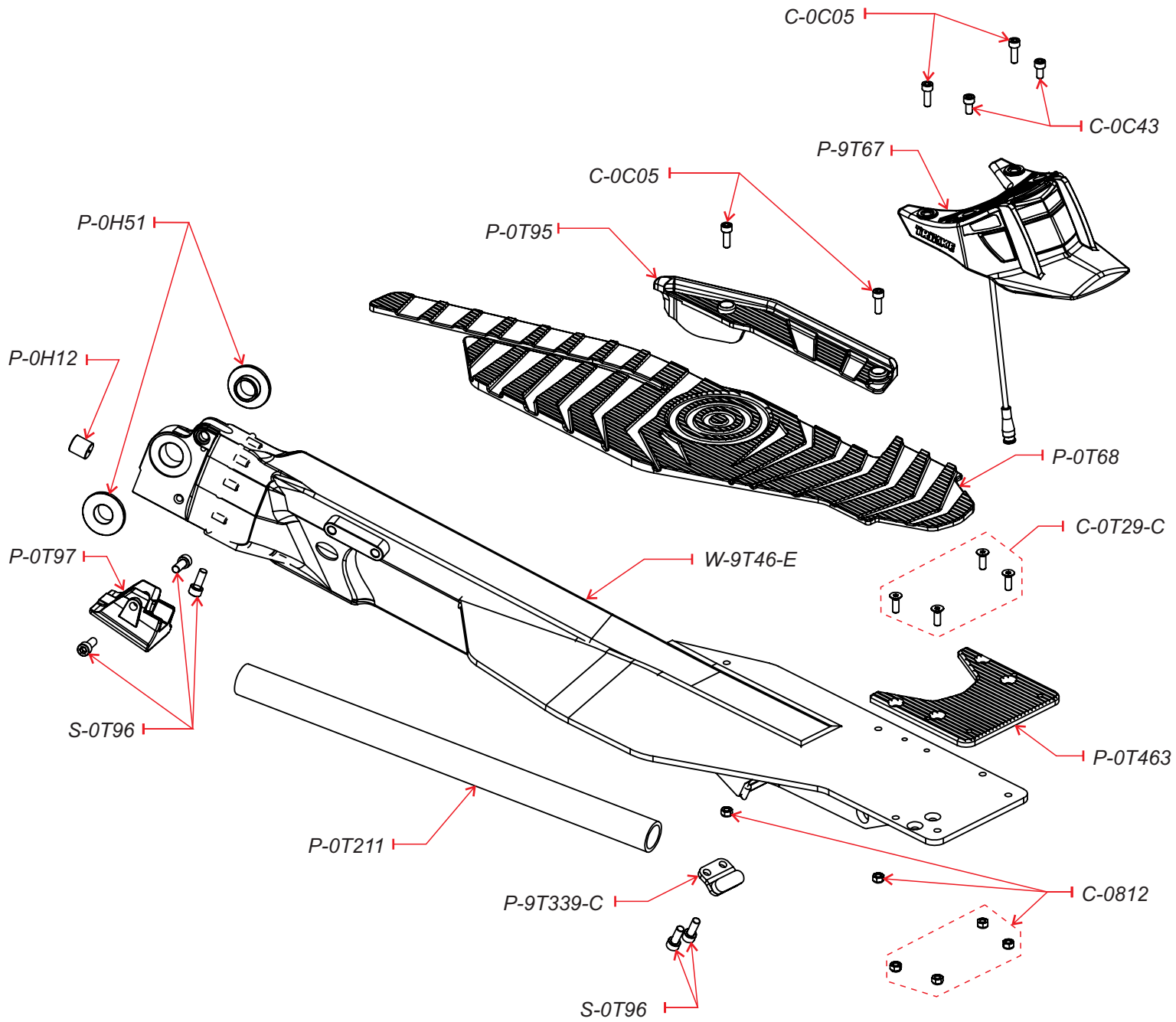
PART #	PART NAME	SPEC	NOTE
C-0T53	LOCK, BATTERY (with 2 keys)		
W-9T93	BRACKET, BATTERY LOCK		
C-0T29-A	BOLT, M5 x 12 x 10 (DIN 7991)		
S-0T172	KEY, LOCK BATTERY		
P-0T27	BRACKET, CABLES		
C-0C43	BOLT, M5 x 10 x 8.5 (DIN 912)		
C-0C05	BOLT, M5 x 15 x 8.5 (DIN 912)		
C-0C05-B	BOLT, M5 x 20 x 8.5 (DIN 912)		
S-0T33-A	BOLT, M6 x 45 x 10 (DIN 912)		
C-0C13	NUT, M6 NYLOCK (DIN 985)		
C-0812	NUT, M5 NYLOCK (DIN 985)		
P-0T141-B	FITTING BLOCK, 3-WAY BRAKE		
S-0C20-C	SCREW, 4 x 12 x 7		
P-0T77	CAP, FRONT STRUCTURE		
C-9T80	HEADLIGHT, SQUARE		
W-9T155R	BRACKET, SQUARE HEADLIGHT RH		
W-9T155L	BRACKET, SQUARE HEADLIGHT LH		

ARM RH



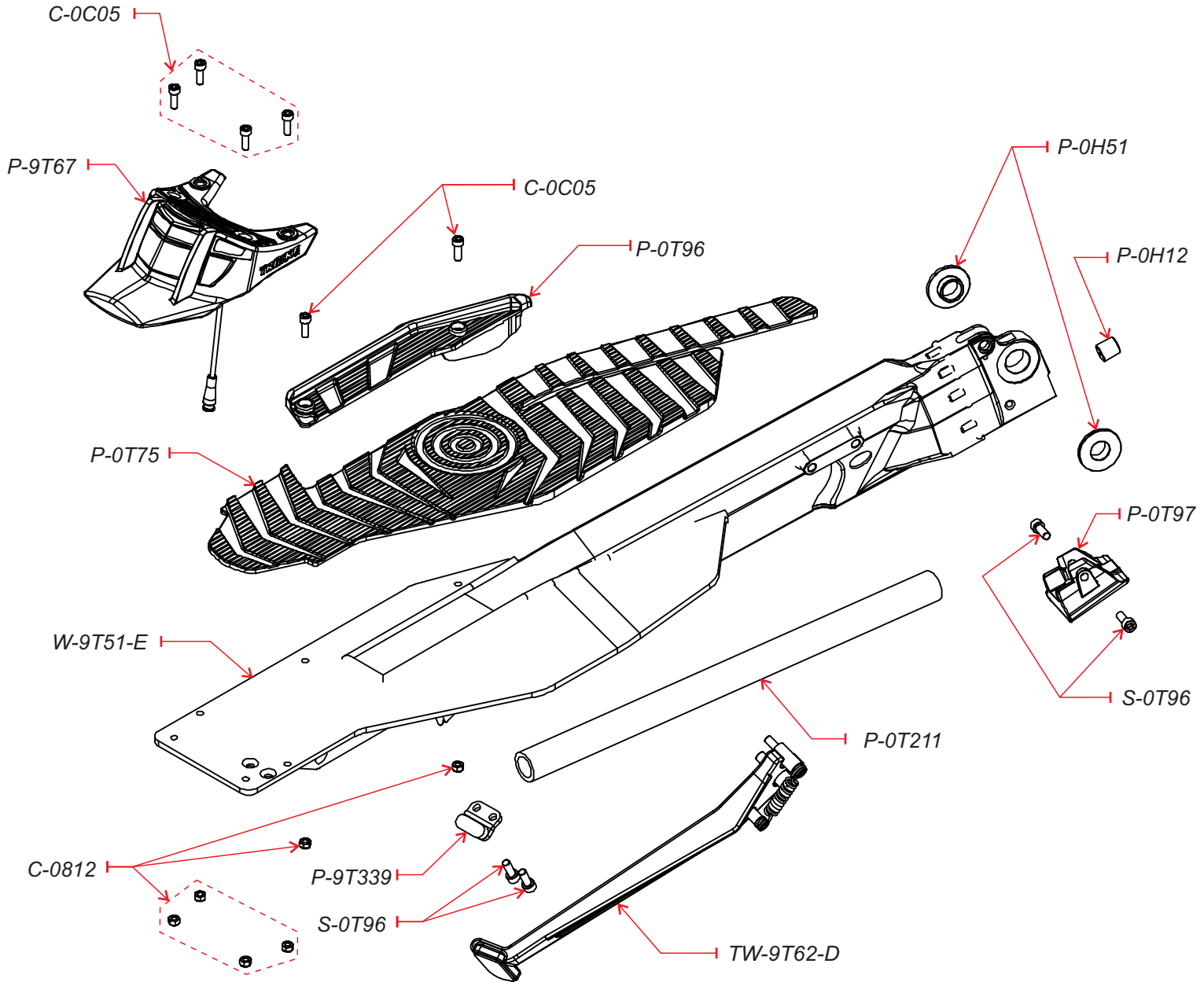
PART #	PART NAME	SPEC	NOTE
C-0C05	BOLT M5 x 15 x 8.5 (DIN 912)		
P-9T67	FENDER, REAR ASSY (with light and reflectors)		2018 or 2021
P-0T95	BUMPER, DECK RH		
P-0T68	GRIP MAT RH		
C-0812	NUT, M5 NYLOCK (DIN 985)		
W-9T46-E	ARM BASIC, RH		
P-0T211	CUSHION, ARM CABLES		
S-0T96	BOLT, M6 x 16 x 10 (DIN 912)		
P-0T97	BUMPER, ARM		
P-0H12	STOPPER, ARM EXTENSION		
P-0H51	HINGE BUSHING, FOLDING MAIN		
P-9T339	STOPPER, SWING ARM		

ARM RH XL



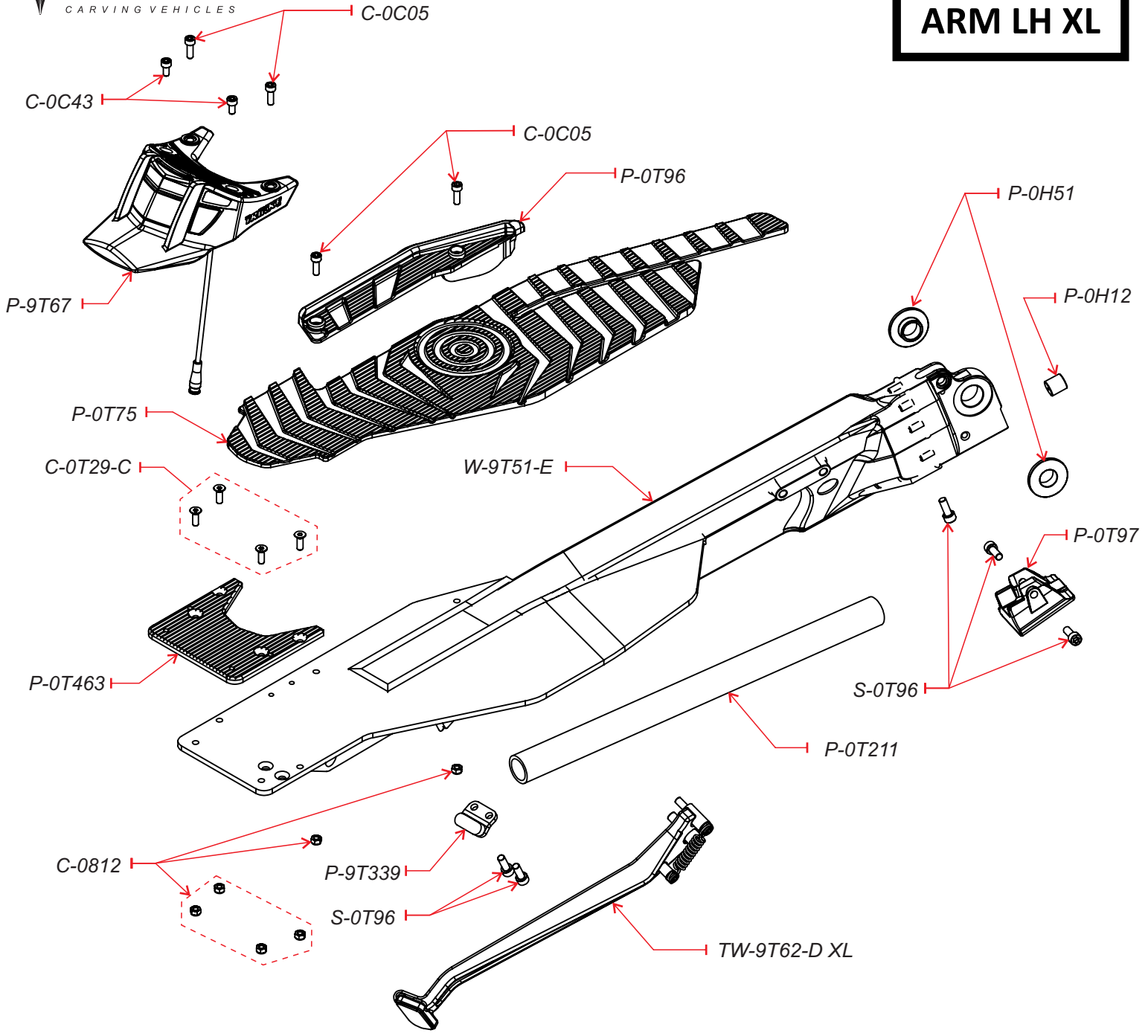
PART #	PART NAME	SPEC	NOTE
C-0C05	BOLT M5 x 15 x 8.5 (DIN 912)		
C-0C43	BOLT M5 x 10 x 8.5 (DIN 912)		
P-9T67	FENDER, REAR ASSY (with light and reflectors)		
P-0T95	BUMPER, DECK RH		
P-0T68	GRIP MAT RH		
C-0T29-C	BOLT, M5 x 15 x 10 (DIN 7991)		
P-0T463	EXTENSION DECK, ARM		
C-0812	NUT, M5 NYLOCK (DIN 985)		
W-9T46-E	ARM BASIC, RH		
P-0T211	CUSHION, ARM CABLES		
S-0T96	BOLT, M6 x 16 x 10 (DIN 912)		
P-0T97	BUMPER, ARM		
P-0H12	STOPPER, ARM EXTENSION		
P-0H51	HINGE BUSHING, FOLDING MAIN		
P-9T339-C	STOPPER, SWING ARM		

ARM LH



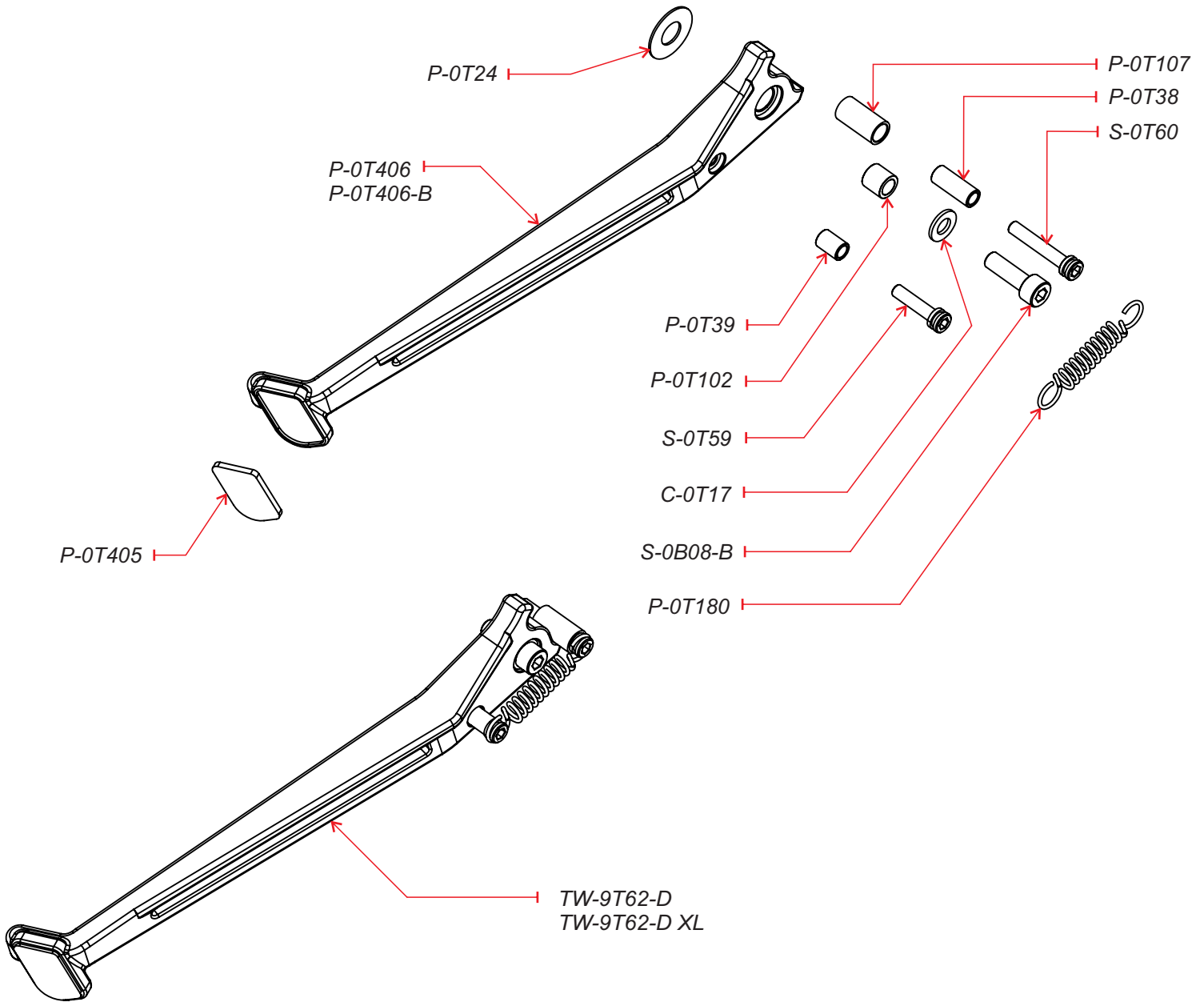
PART #	PART NAME	SPEC	NOTE
C-0C05	BOLT M5 x 15 x 8.5 (DIN 912)		
P-9T67	FENDER, REAR ASSY (with light and reflectors)		2018 or 2021
P-0T96	BUMPER, DECK LH		
P-0T75	GRIP MAT LH		
C-0812	NUT, M5 NYLOCK (DIN 985)		
W-9T51-E	ARM BASIC, LH		
P-0T211	CUSHION, ARM CABLES		
S-0T96	BOLT, M6 x 16 x 10 (DIN 912)		
P-0T97	BUMPER, ARM		
P-0H12	STOPPER, ARM EXTENSION		
P-0H51	HINGE BUSHING, FOLDING MAIN		
P-9T339	STOPPER, SWING ARM		
TW-9T62-D	KICKSTAND ASSY		

ARM LH XL



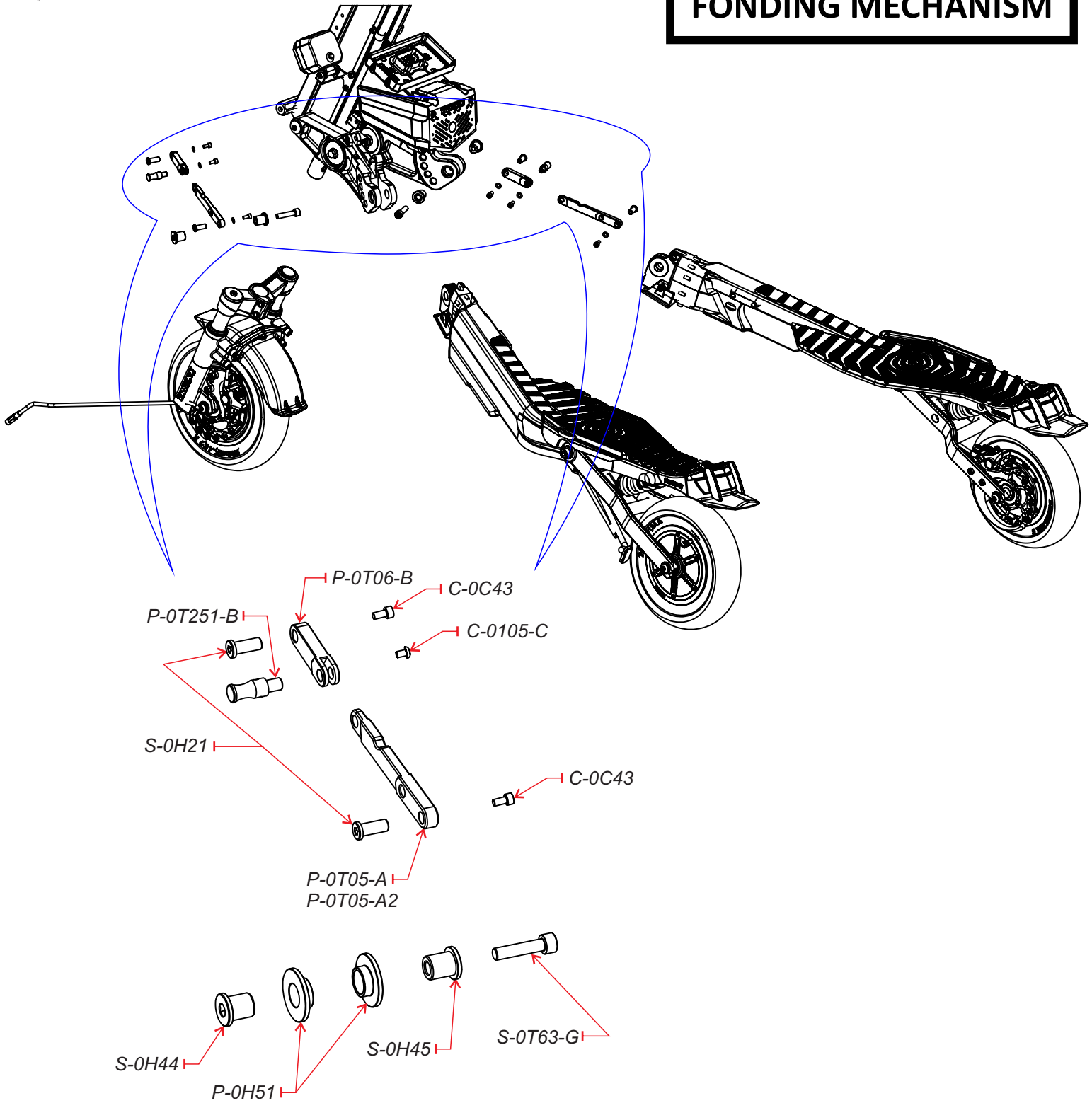
PART #	PART NAME	SPEC	NOTE
C-0C05	BOLT M5 x 15 x 8.5 (DIN 912)		
C-0C43	BOLT M5 x 10 x 8.5 (DIN 912)		
P-9T67	FENDER, REAR ASSY (with light and reflectors)		
P-0T96	BUMPER, DECK LH		
P-0T75	GRIP MAT LH		
C-0T29-C	BOLT, M5 x 15 x 10 (DIN 7991)		
P-0T463	EXTENSION DECK, ARM		
C-0812	NUT, M5 NYLOCK (DIN 985)		
W-9T51-E	ARM BASIC, LH		
P-0T211	CUSHION, ARM CABLES		
S-0T96	BOLT, M6 x 16 x 10 (DIN 912)		
P-0T97	BUMPER, ARM		
P-0H12	STOPPER, ARM EXTENSION		
P-0H51	HINGE BUSHING, FOLDING MAIN		
P-9T339	STOPPER, SWING ARM		
TW-9T62-D XL	KICKSTAND XL ASSY		

KICKSTAND



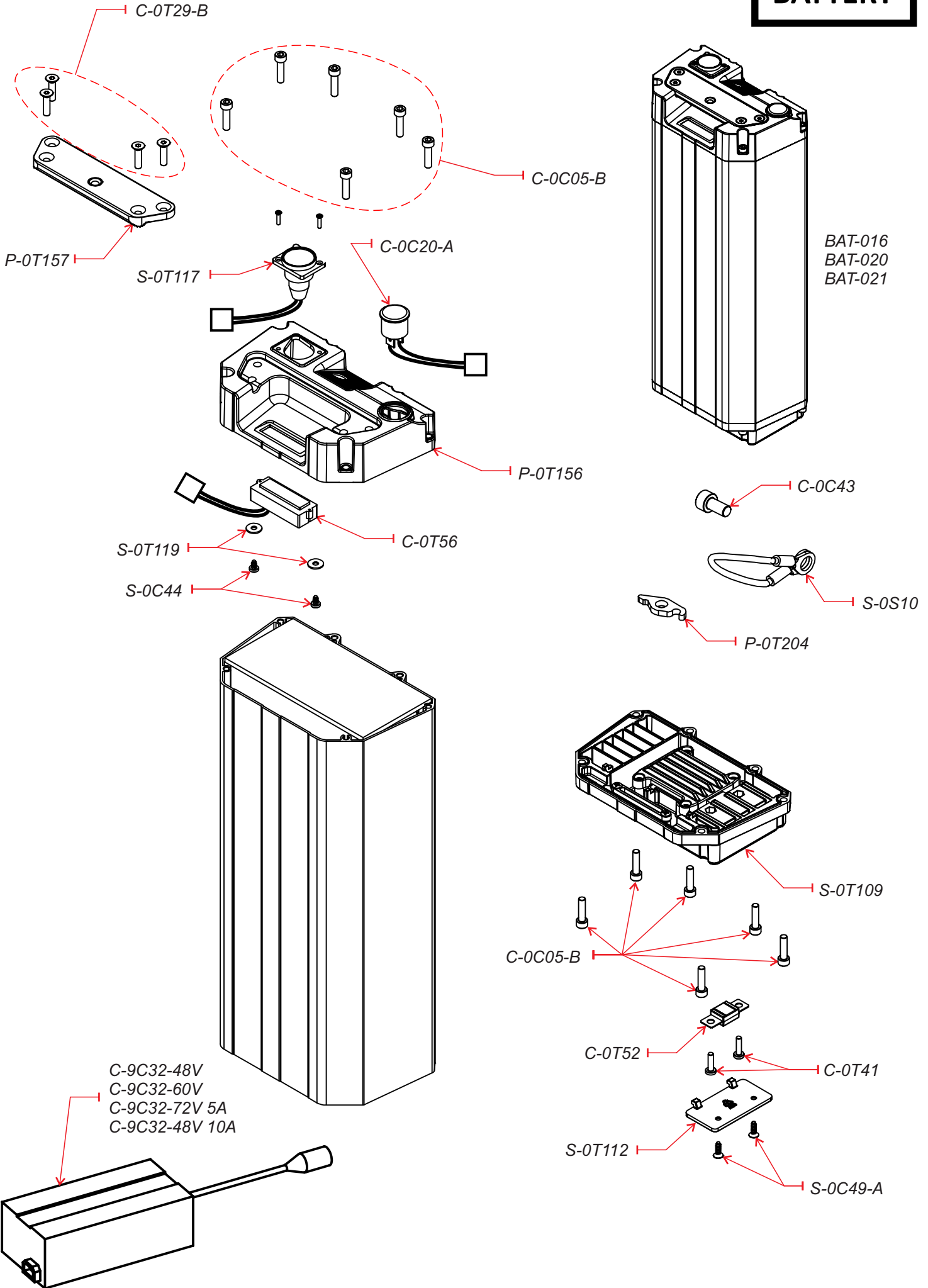
PART #	PART NAME	SPEC	NOTE
TW-9T62-D	KICK STAND ASSY		
TW-9T62-D XL	KICKSTAND XL ASSY		
P-0T24	PLASTIC WASHER, Ø27 x Ø12.2 x 1		
P-0T406	KICKSTAND		2018 or 2021
P-0T406-B	KICKSTAND, T8HD XL		
P-0T107	COVER, KS STOPPER		
P-0T38	SPACER 1, KICKSTAND		
S-0T60	BOLT, M6 x 35 x 10		
P-0T102	BUSHING, KICKSTAND		
C-0T17	WASHER 16 x 8.4 x 1.6 (DIN 125 A)		
S-0B08-B	BOLT, M8 x 25 x 13 (DIN 912)		
P-0T180	SPRING, KICKSTAND		
P-0T39	SPACER 2, KICKSTAND		
S-0T59	BOLT, M6 x 25 x 10		
P-0T405	RUBBER FOOT, KICKSTAND		2021

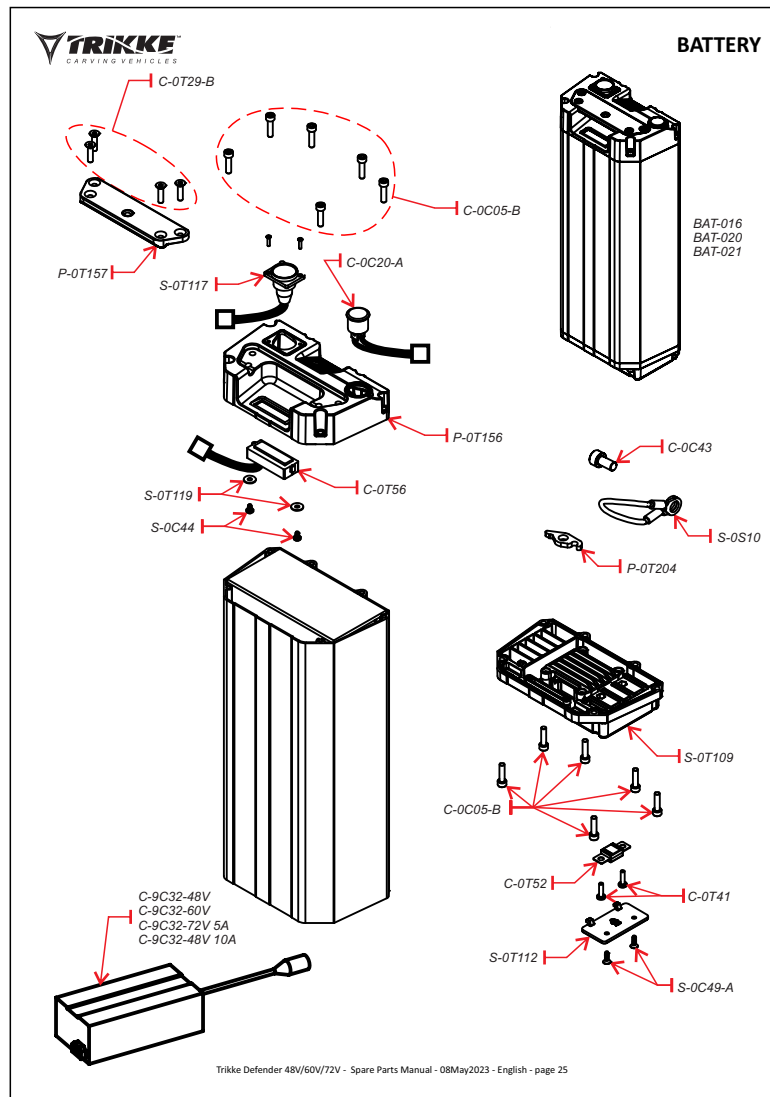
FONDING MECHANISM



PART #	PART NAME	SPEC	NOTE
C-0C43	BOLT, M5 x 10 x 8.5 (DIN 912)		
C-0105-C	BOLT, M5 x 8 x 9.5 (DIN 7380)		
S-0H21	BUTTON AXLE, M5 x Ø11.8 x 22.2		
P-0T251-B	KNOB, FOLDING		
P-0T05-A	PART A, FOLDING ARM		
P-0T05-A2	PART A, FOLDING ARM		after serial #000720
P-0T06-B	PART B, FOLDING ARM		
P-0H51	HINGE BUSHING, FOLDING MAIN		
S-0H44	HINGE AXLE A, FOLDING ARM		
S-0H45	HINGE AXLE B, FOLDING ARM		
S-0T63-G	BOLT, M8 x 35 x 13		

BATTERY



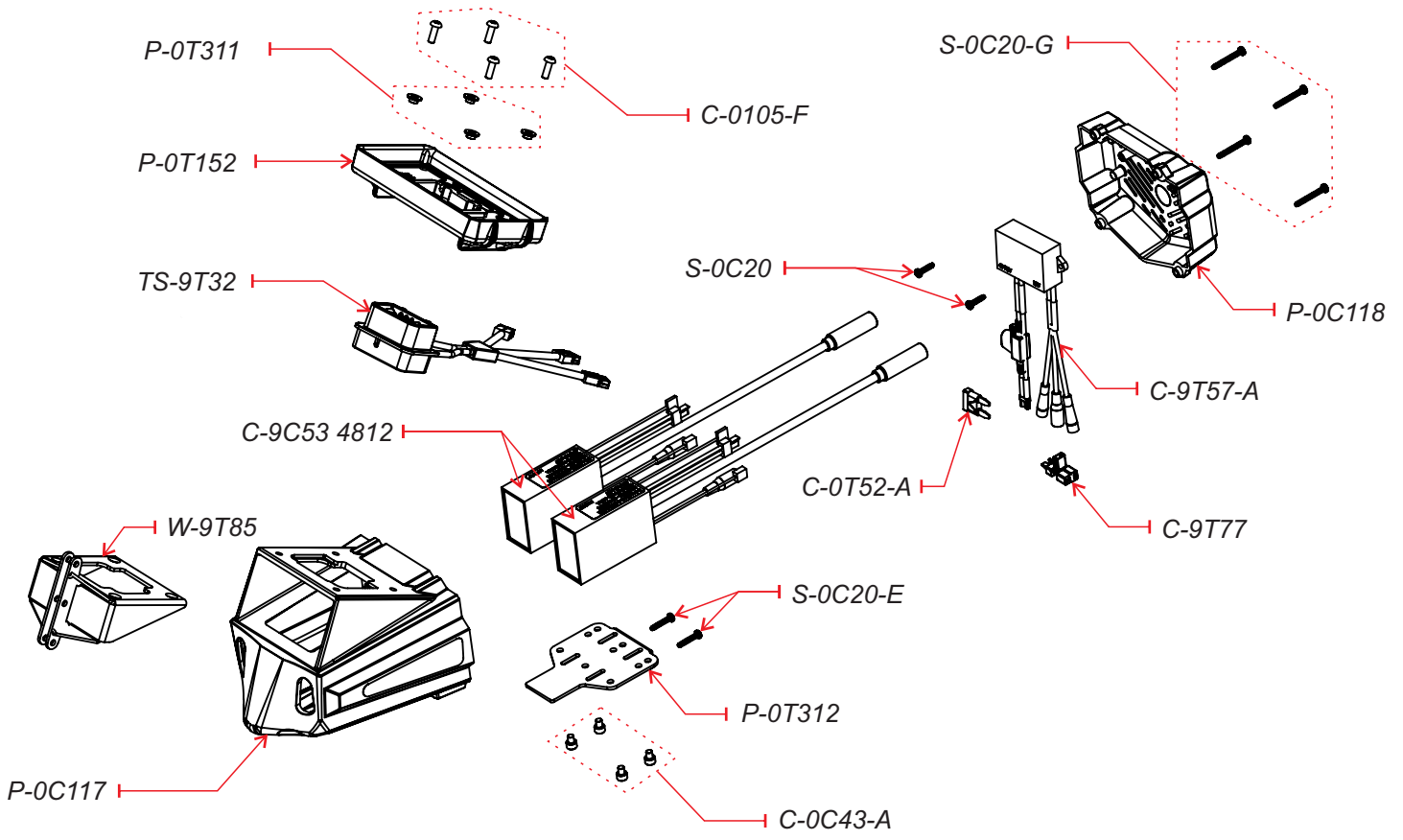
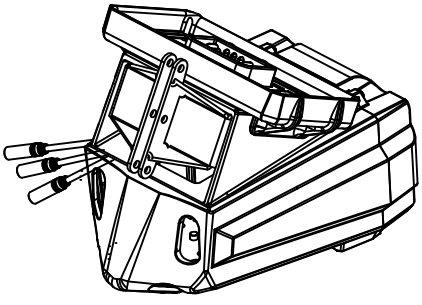


BATTERY

PART #	PART NAME	SPEC	NOTE
BAT-016	BATTERY 48V Li-ion	13S7P - 48V 15.75Ah 1176Wh	
BAT-020	BATTERY 60V Li-ion	16S7P - 60V 15.75Ah 1470Wh	
BAT-021	BATTERY 72V Li-ion	20S7P - 72V 24.5Ah 1764Wh	
C-0T29-B	BOLT, M5 x 20 x 10 (DIN 7991)		
P-0T157	HANDLE, BATTERY		with insert M7x1
C-0C43	BOLT, M5 x 10 x 8.5 (DIN 912)		
P-0T204	HOOK, BATTERY SAFETY CABLE		
S-0S10	SAFETY CABLE, BATTERY	L=70mm	
C-0C05-B	BOLT M5 x 20 x 8.5 (DIN 912)		
S-0T117	CHARGING PORT, BATTERY		
C-0C20-A	SWITCH, ON-OFF		
P-0T156	COVER, BATTERY TOP		
C-0T56	SOC DISPLAY		
S-0T119	WASHER, Ø12 x Ø4.3 x 1 (DIN 9021)		
S-0C44	SCREW, 4X6X7 (ISO 7049)		
S-0T109	COVER, BATTERY BOTTOM		
C-0T52	FUSE 80A 48V/60V		125A for 72V
C-0T41	BOLT, M4 x 15 x 8 (DIN 7985)		
S-0T112	CAP, FUSE		
S-0C49-A	SCREW, 4 x 12 x 7.5 (ISO 7051)		
C-9C32-48V	CHARGER, BATTERY LI ION 48V 5A	48V 5A 100V-240V	
C-9C32-60V	CHARGER, BATTERY LI ION 60V 5A	60V 5A 100V-240V	
C-9C32-72V 5A	CHARGER, BATTERY LI ION 72V 5A	72V 5A 100V-240V	
C-9C32-72V 10A	CHARGER, BATTERY LI ION 72V 10A	72V 10A 100V-240V	

BATTERY TRAY and CONTROLLER BOX

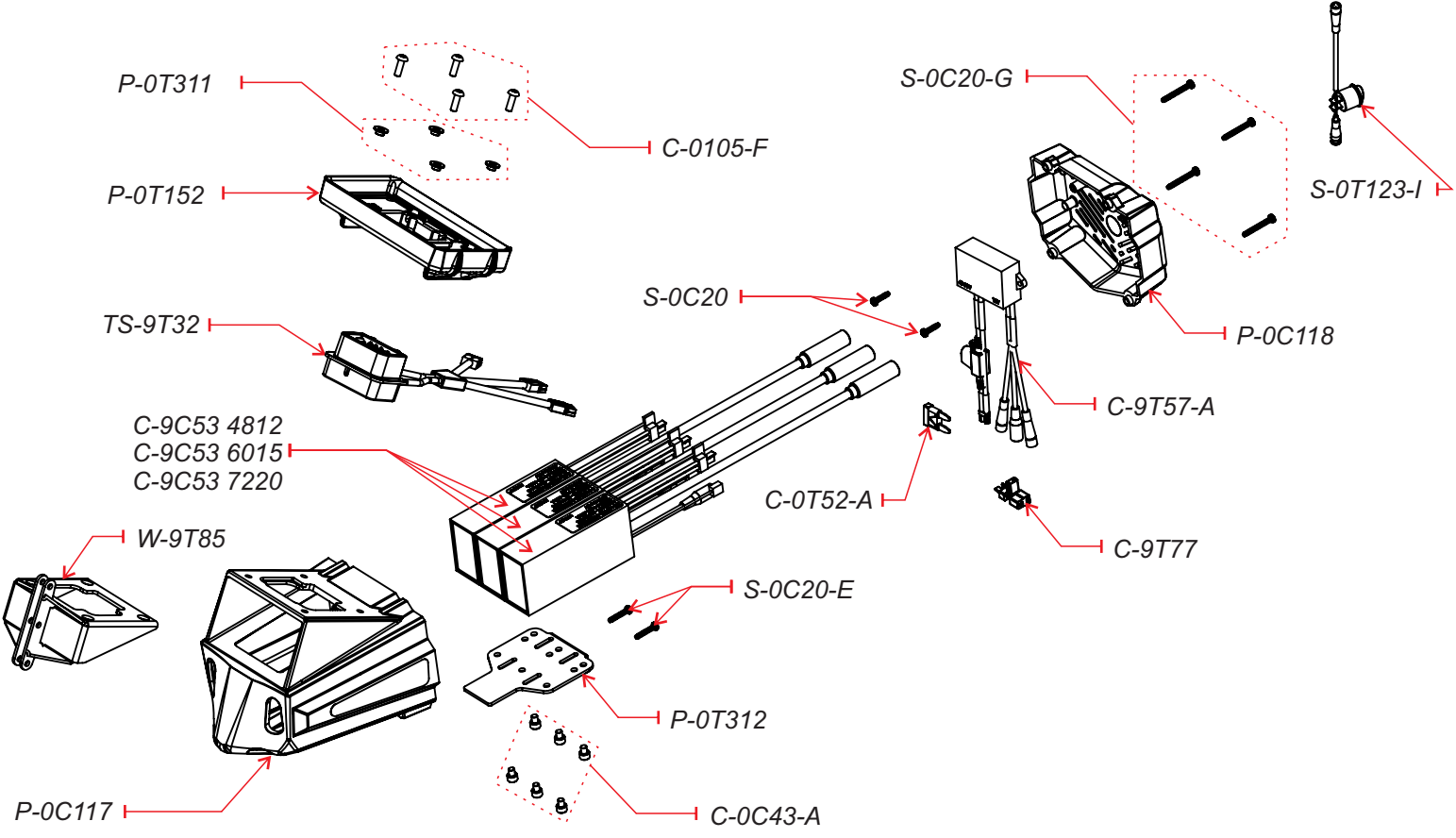
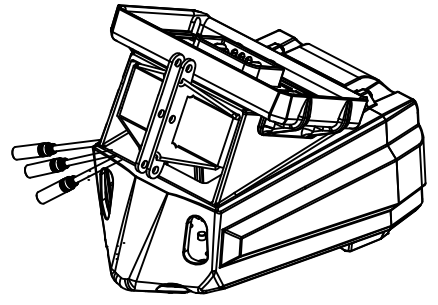
DEFENDER 48V 2WD



PART #	PART NAME	SPEC	NOTE
C-9C53 4812	CONTROLLER 48V 12A		especific serial # new model from Apr2022 serial #000442
C-0105-F	BOLT, M5 x 15 x 9.5 (ISO 7380)		
P-0T311	BUSHING, TRAY		
P-0T152	TRAY, BATTERY		
TS-9T32	POWER CONNECTOR MALE, BATTERY		no 12V
S-0C20-G	SCREW, 4 x 30 x 7		
P-0C117	BOX, CONTROLLER		
P-0C118	PAN, CONTROLLER BOX		
W-9T85	SCISSOR WELDED, FRONT STRUCTURE		
C-9T57-A	DC-DC CONVERTER	40-70V/12V 5A	3way
S-0C20	SCREW, 4 x 15 x 7		
S-0C20-E	SCREW, 4 x 20 x 7		
P-0T312	BRACKET, CONTROLLER MOUNT		
C-0C43-A	BOLT, M5 x 6 x 8.5 (DIN 912)		
C-9T77	T CONNECTOR ASSY		
C-0T52-A	BLADE FUSE 5A (mini/ATM)		

BATTERY TRAY and CONTROLLER BOX

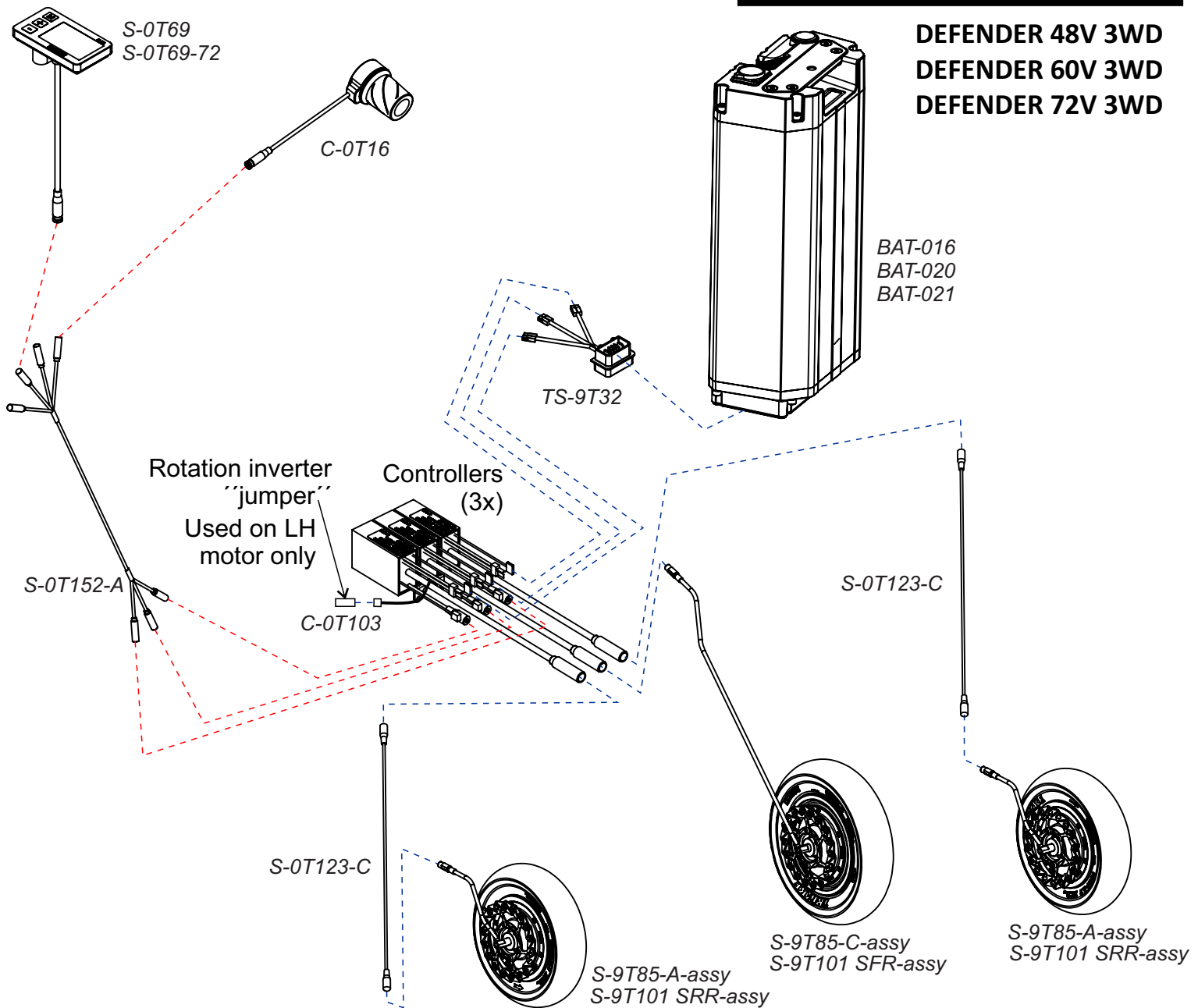
DEFENDER 48V 3WD
DEFENDER 60V 3WD
DEFENDER 72V 3WD



PART #	PART NAME	SPEC	NOTE
C-9C53 4812	CONTROLLER 48V 12A		especify serial # new model from Apr2022 serial #000442
C-9C53 6015	CONTROLLER 60V 15A		
C-9C53 7220	CONTROLLER 72V 20A		
C-0105-F	BOLT, M5 x 15 x 9.5 (ISO 7380)		
P-0T311	BUSHING, TRAY		
P-0T152	TRAY, BATTERY		
TS-9T32	POWER CONNECTOR MALE, BATTERY		no 12V
S-0C20-G	SCREW, 4 x 30 x 7		
P-0C117	BOX, CONTROLLER		
P-0C118	PAN, CONTROLLER BOX		
W-9T85	SCISSOR WELDED, FRONT STRUCTURE		
C-9T57-A	DC-DC CONVERTER	40-70V/12V 5A	3way
S-0C20	SCREW, 4 x 15 x 7		
S-0C20-E	SCREW, 4 x 20 x 7		
P-0T312	BRACKET, CONTROLLER MOUNT		
C-0C43-A	BOLT, M5 x 6 x 8.5 (DIN 912)		
C-9T77	T CONNECTOR ASSY		
C-0T52-A	BLADE FUSE 5A (mini/ATM)		
S-0T123-I	CABLE, SWITCH LIGHTS		

POWER DRIVE SYSTEM

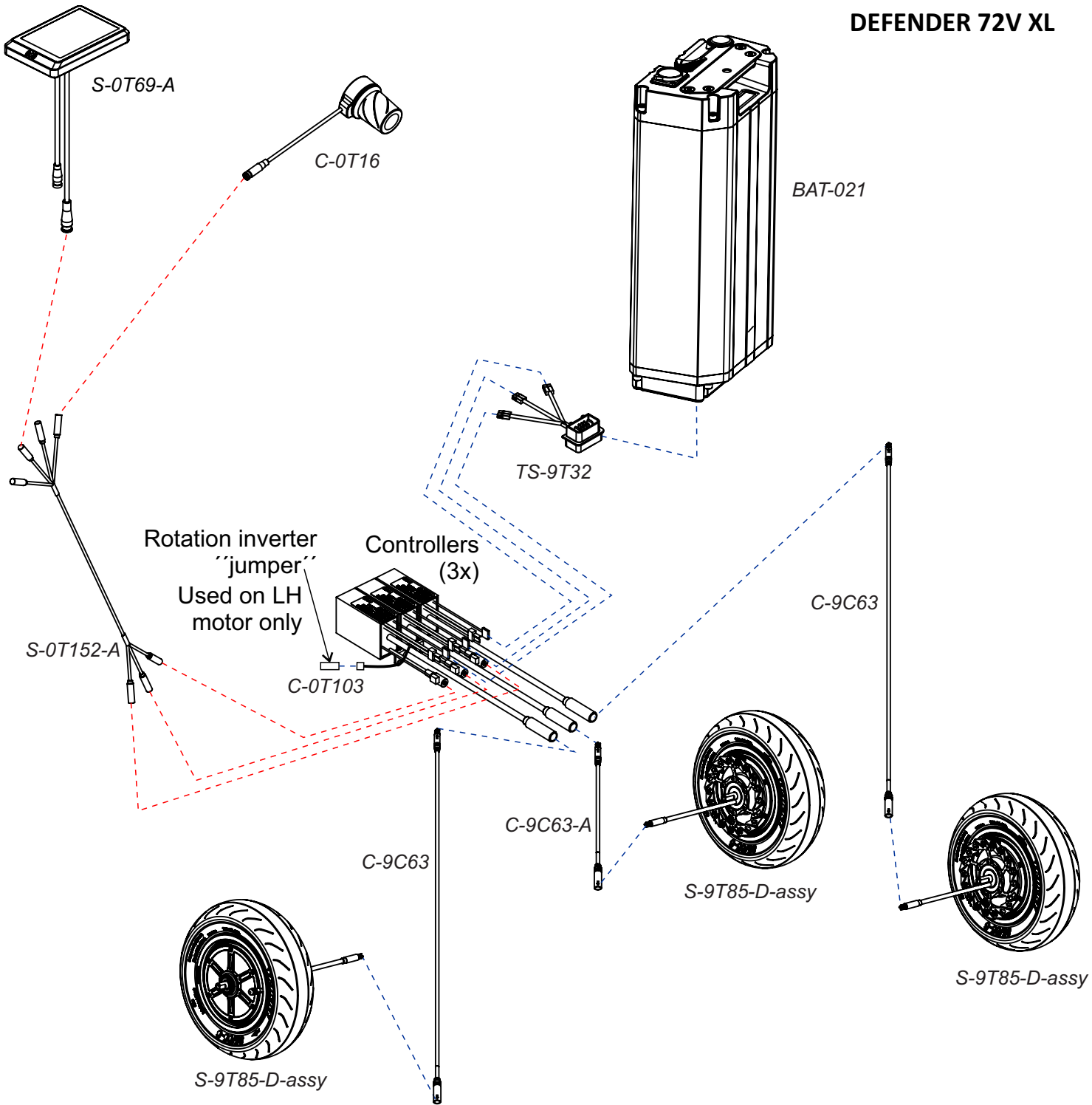
DEFENDER 48V 3WD
DEFENDER 60V 3WD
DEFENDER 72V 3WD



PART #	PART NAME	SPEC	NOTE
BAT-016	BATTERY 48V Li-ion	13S7P - 48V 15.75Ah 1176Wh	
BAT-020	BATTERY 60V Li-ion	16S7P - 60V 15.75Ah 1470Wh	
BAT-021	BATTERY 72V Li-ion	20S7P - 72V 24.5Ah 1764Wh	
S-0T69	DISPLAY, LCD RFID		48V and 60V
S-0T69-72	DISPLAY, LCD RFID		72V
C-0T16	THROTTLE		
TS-9T32	POWER CONNECTOR MALE, BATTERY		no 12V
S-0T152-A	CABLE EXTENSION, DISPLAY/CONTROLLER		
S-0T123-C	CABLE EXTENSION, MOTOR/CONTROLLER		
S-9T85-C-assy	MOTOR FRONT - full assy		with tire, tube, brake rotor, axle spacers, key washers and bolts
S-9T85-A-assy	MOTOR REAR - full assy	RH/LH Rotation inverter "jumper" used on LH motor	
S-9T101 SFR-assy	MOTOR FRONT - full assy		with solid tire, brake rotor, axle spacers, key washers, washers and bolts
S-9T101 SRR-assy	MOTOR REAR - full assy	RH/LH Rotation inverter "jumper" used on LH motor	
C-0T103	JUMPER, ROTATION INVERTER		

POWER DRIVE SYSTEM

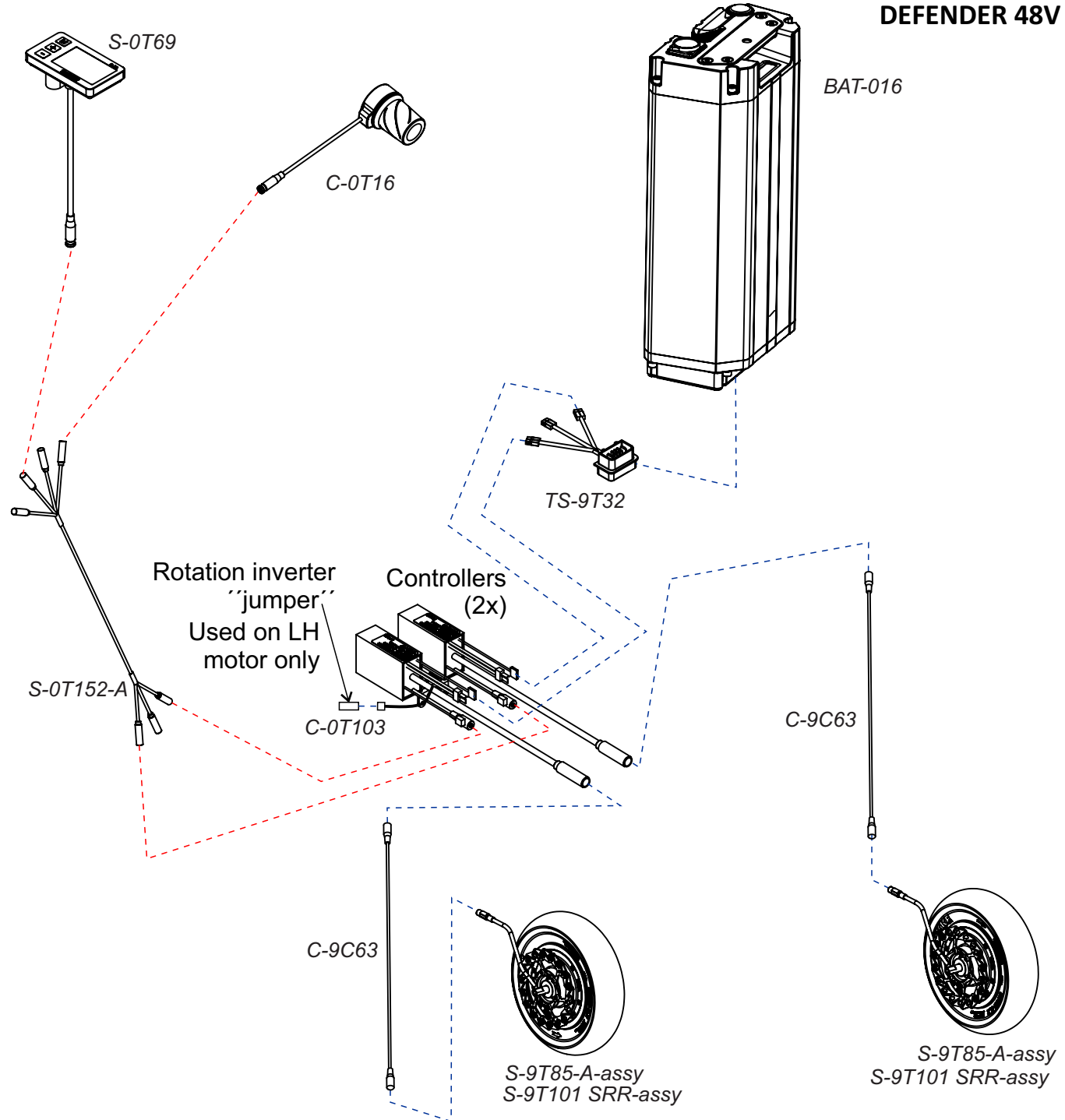
DEFENDER 72V XL



PART #	PART NAME	SPEC	NOTE
BAT-021	BATTERY 72V Li-ion	20S7P - 72V 24.5Ah 1764Wh	
S-0T69-A	DISPLAY X6		72V
C-0T16	THROTTLE		
TS-9T32	POWER CONNECTOR MALE, BATTERY		no 12V
S-0T152-A	EXTENSION, DISPLAY/CONTROLLER		
C-9C63	EXTENSION, REAR MOTOR/CONTROLLER	770mm	
C-9C63-A	EXTENSION, FRONT MOTOR/CONTROLLER	300mm	
S-9T85-D-assy	MOTOR - full assy	RH/LH Rotation inverter "jumper" used on LH motor	with tire, tube, brake rotor, axle spacers, key washers and bolts
C-0T103	JUMPER, ROTATION INVERTER		

POWER DRIVE SYSTEM

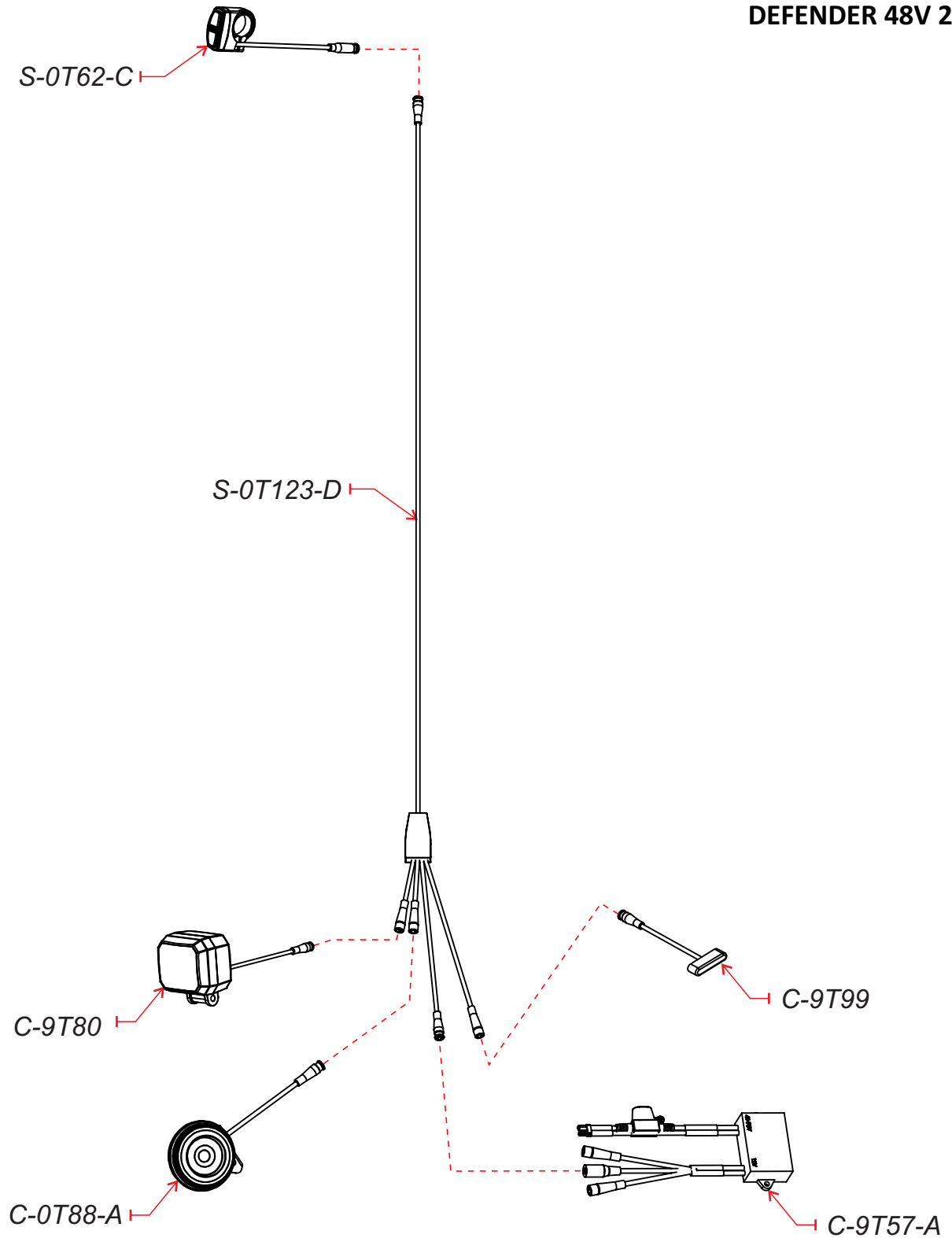
DEFENDER 48V 2WD



PART #	PART NAME	SPEC	NOTE
BAT-016	BATTERY 48V Li-ion	13S7P - 48V 15.75Ah 1176Wh	48V and 60V
S-0T69	DISPLAY, LCD RFID		
C-0T16	THROTTLE		
TS-9T32	POWER CONNECTOR MALE, BATTERY		no 12V
S-0T152-A	CABLE EXTENSION, DISPLAY/CONTROLLER		
S-0T123-C	CABLE EXTENSION, MOTOR/CONTROLLER		
S-9T85-A-assy	MOTOR REAR - full assy	RH/LH Rotation inverter "jumper" used on LH motor	with tire, tube, brake rotor, axle spacers, key washers and bolts
S-9T101 SRR-assy	MOTOR REAR - full assy	RH/LH Rotation inverter "jumper" used on LH motor	with solid tire, brake rotor, axle spacers, key washers, washers and bolts
C-0T103	JUMPER, ROTATION INVERTER		

HARNESS, BASIC LIGHTS

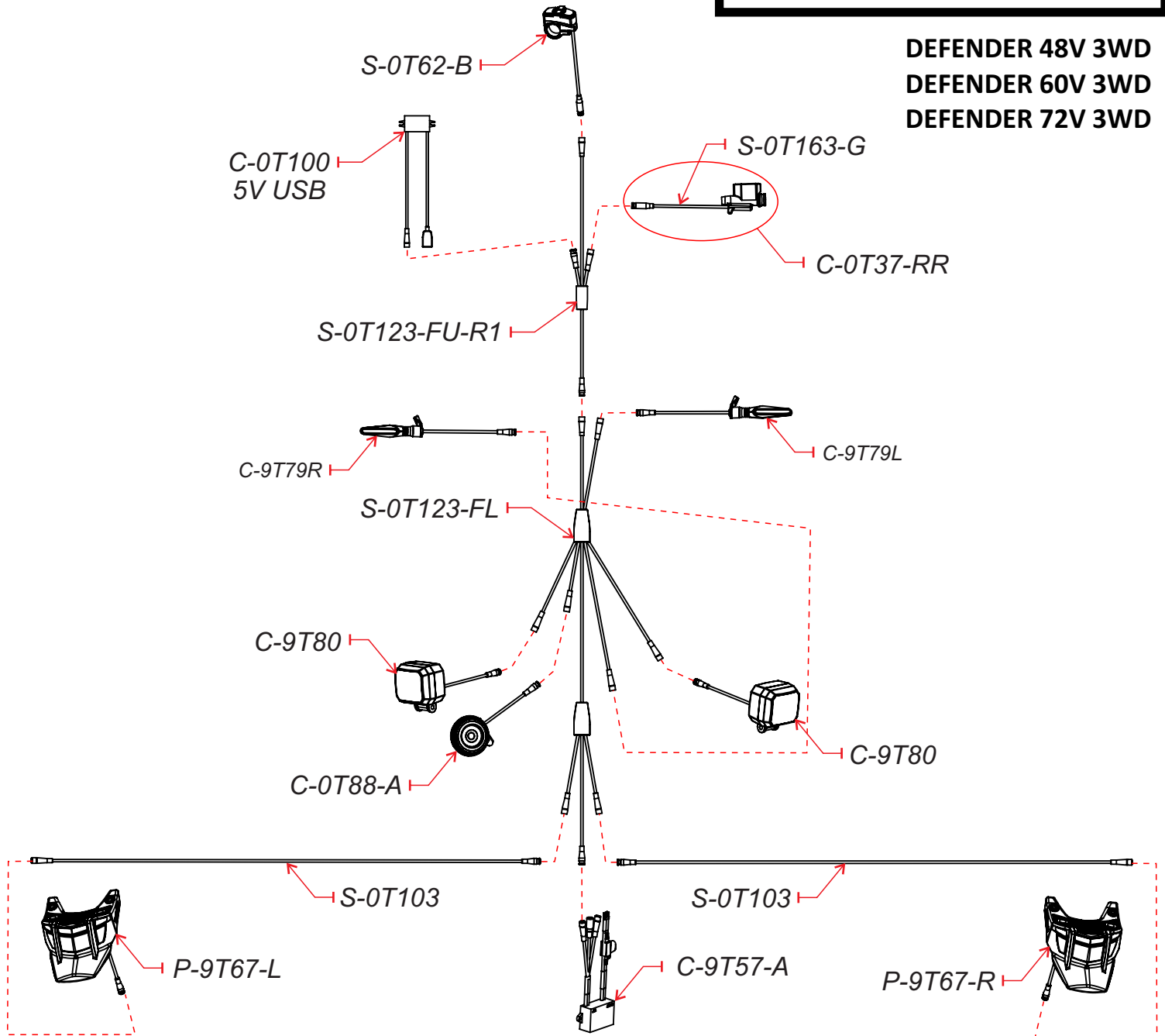
DEFENDER 48V 2WD



PART #	PART NAME	SPEC	NOTE
S-0T62-C	SWITCH, 2 BUTTON		
C-9T80	HEADLIGHT, SQUARE DRL		
C-0T88-A	HORN, BEEP		
C-9T99	LIGHT, REAR SINGLE		
C-9T57-A	DC-DC CONVERTER	40-70V/12V 5A	3way
S-0T123-D	BASIC CABLE, 2WD LIGHTS		

HARNESS, MAIN LIGHTS

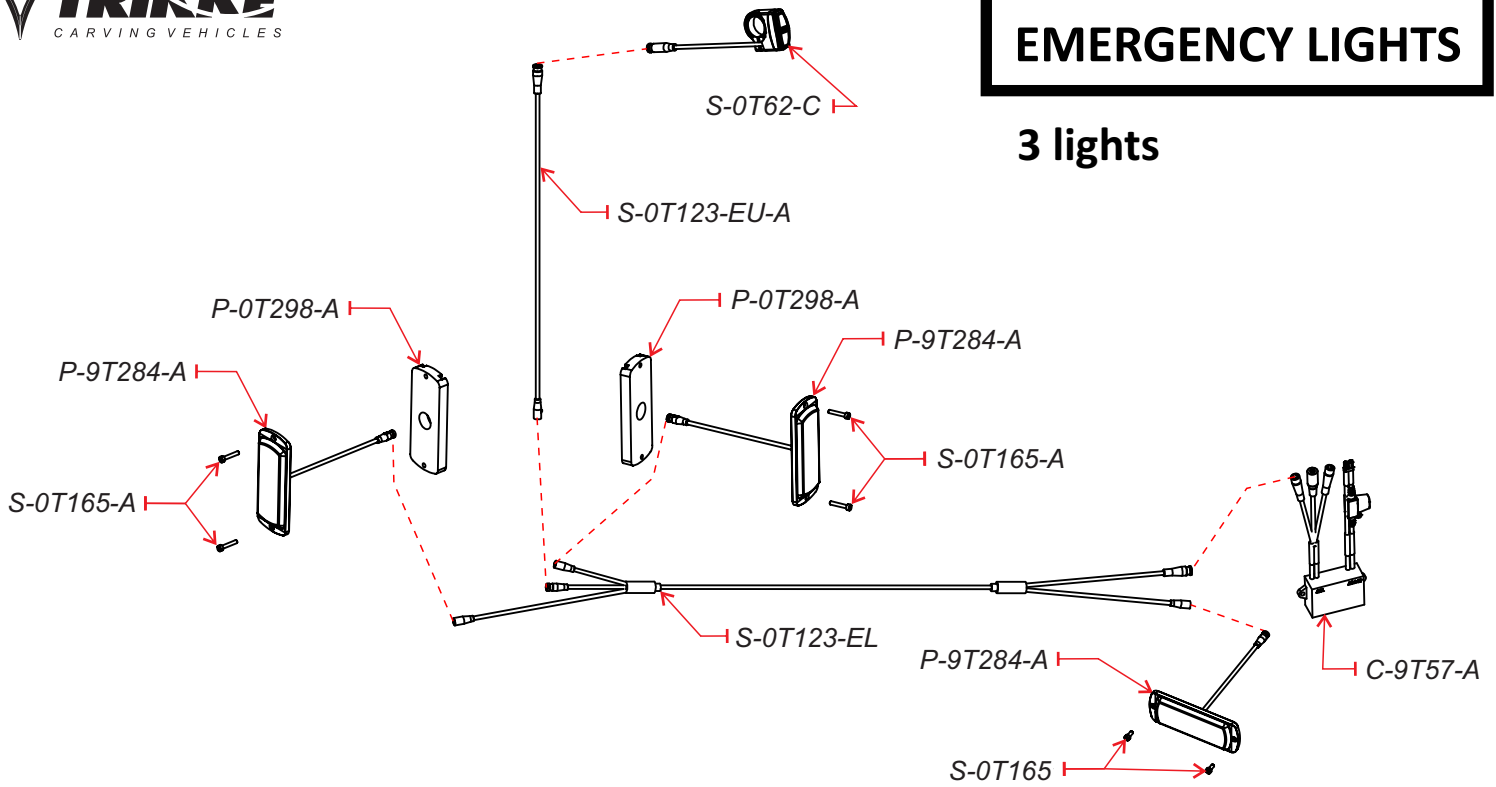
DEFENDER 48V 3WD
DEFENDER 60V 3WD
DEFENDER 72V 3WD



PART #	PART NAME	SPEC	NOTE
S-0T62-B	SWITCH, 4 BUTTON		
C-0T37-RR	MASTER CYLINDER, BRAKE RR		
S-0T163-G	CABLE 2 PIN - MALE and sensor		
C-0T100	USB CONVERTER, DC-DC		
C-9T79R	LIGHT RH, FINGER		2021 same part LH/RH
C-9T79L	LIGHT LH, FINGER		
C-9T80	HEADLIGHT, SQUARE DRL		
C-0T88-A	HORN, BEEP		
P-9T67-L	FENDER, REAR ASSY (with light and reflectors)		
P-9T67-R	FENDER, REAR ASSY (with light and reflectors)		
C-9T57-A	DC-DC CONVERTER	40-70V/12V 5A	3way
S-0T123-FU-R1	MAIN CABLE, LIGHTS (UPPER)		
S-0T123-FL	MAIN CABLE, LIGHTS (LOWER)		
S-0T103	EXTENSION, REAR LIGHTS		

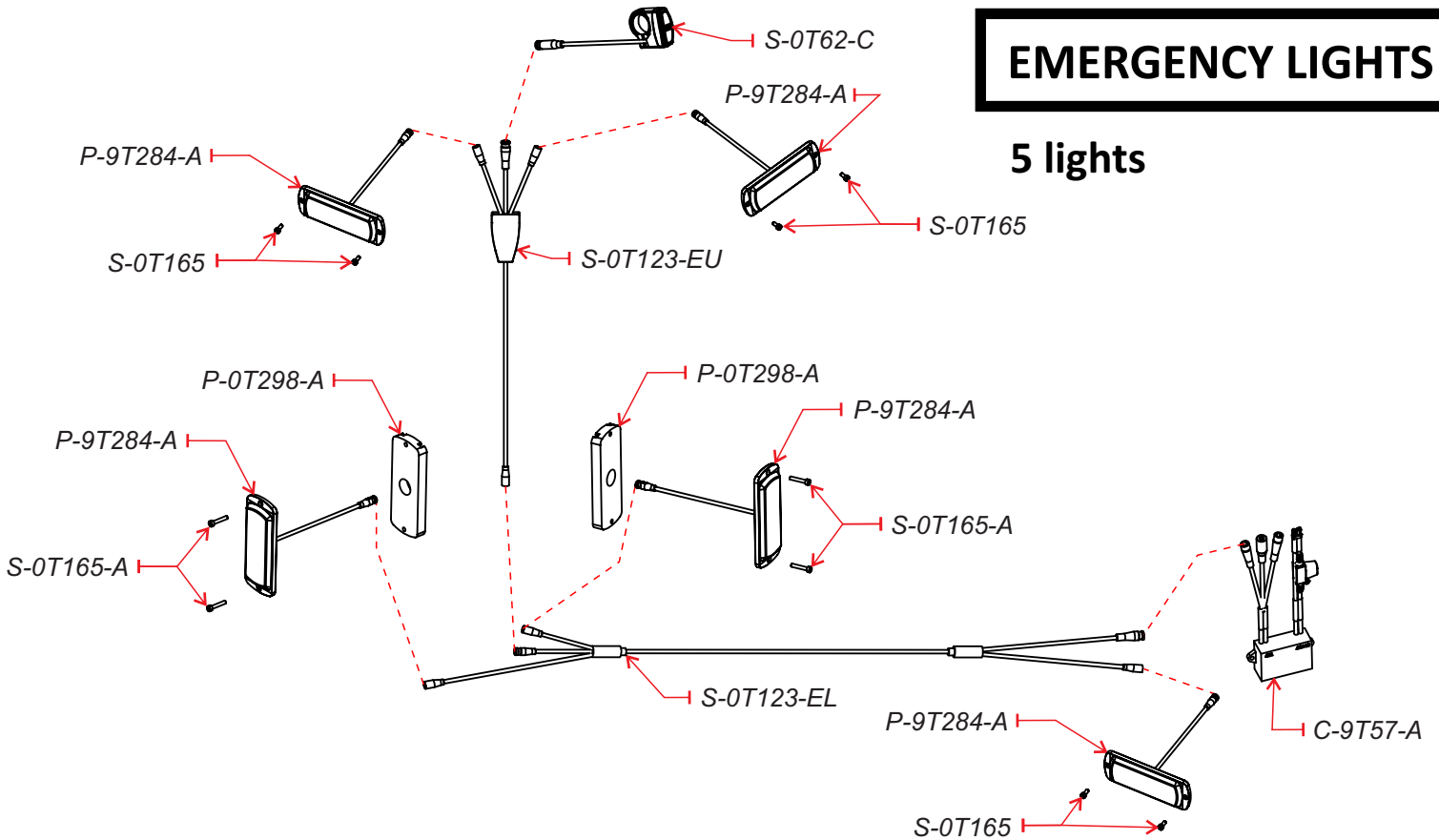
EMERGENCY LIGHTS

3 lights



EMERGENCY LIGHTS

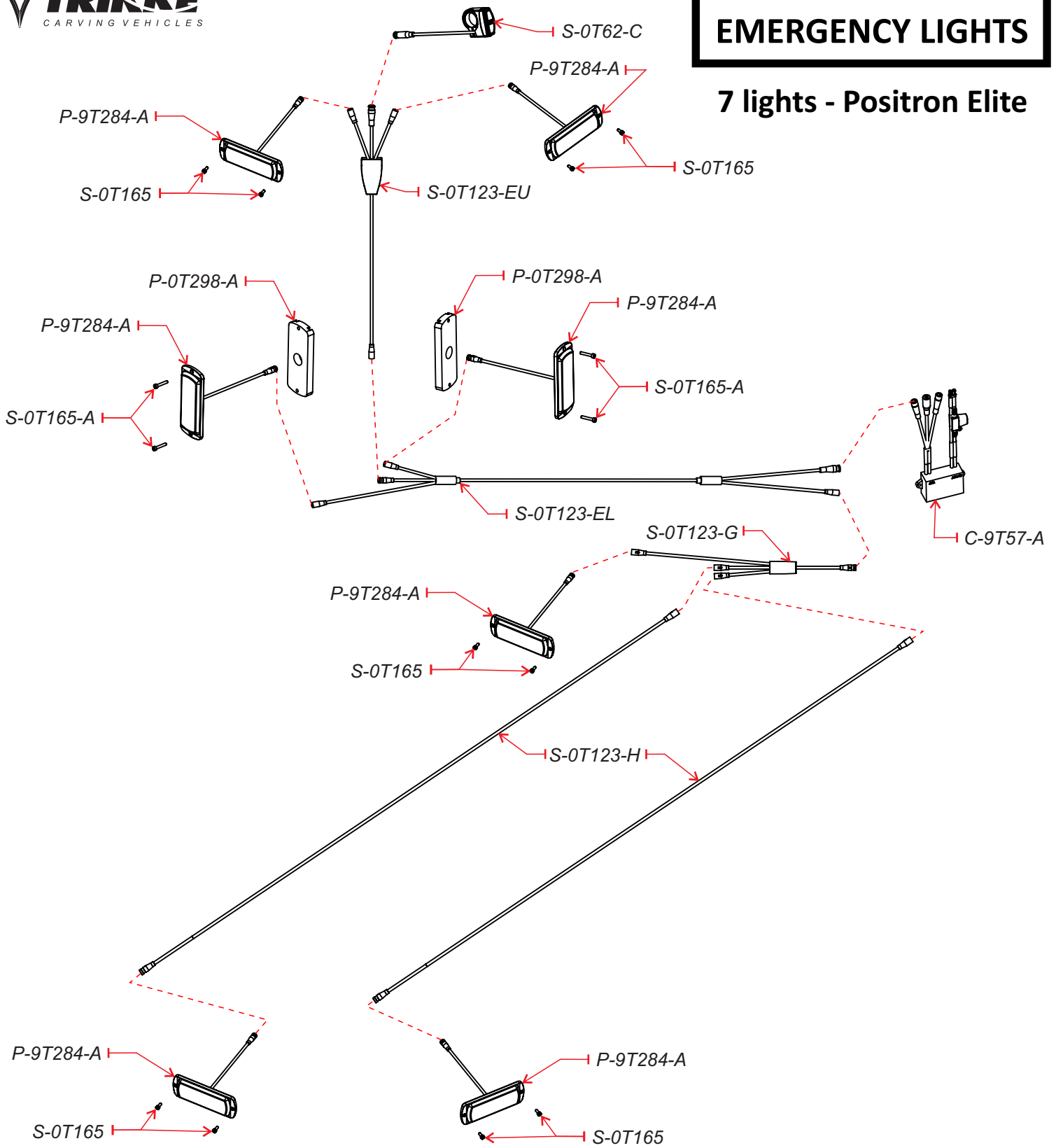
5 lights



PART #	PART NAME	SPEC	NOTE
P-9T284-A	EMERGENCY LIGHT		Wire = 150mm
P-0T298-A	BASE, SIDE EMG LIGHT		
S-0T165	BOLT, M3.5 x 8 (DIN 912)		
S-0T165-A	BOLT, M3.5 x 20 (DIN 912)		
S-0T62-C	SWITCH, 2 BUTTON		
S-0T123-EU	CABLE, EMG LIGHTS (UPPER)		
S-0T123-EL	CABLE, EMG LIGHTS (LOWER)		
S-0T123-EU-A	CABLE, EMG LIGHTS 2WD (UPPER)		
C-9T57-A	DC-DC CONVERTER	40-70V/12V 5A	3way

EMERGENCY LIGHTS

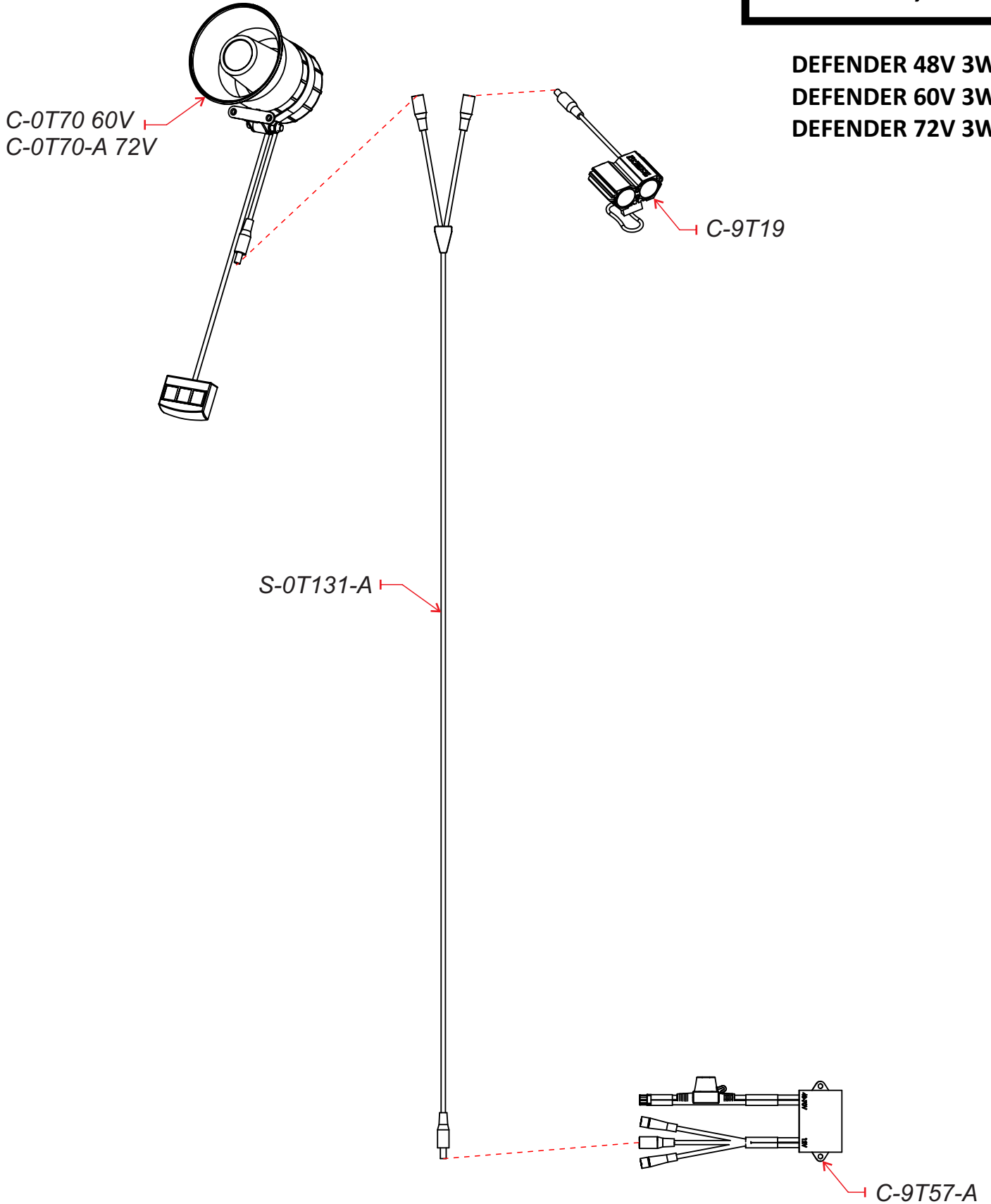
7 lights - Positron Elite



PART #	PART NAME	SPEC	NOTE
P-9T284-A	EMERGENCY LIGHT		Wire = 150mm
P-0T298-A	BASE, SIDE EMG LIGHT		
S-0T165	BOLT, M3.5 x 8 (DIN 912)		
S-0T165-A	BOLT, M3.5 x 20 (DIN 912)		
S-0T62-C	SWITCH, 2 BUTTON		
S-0T123-EU	CABLE, EMG LIGHTS (UPPER)		
S-0T123-EL	CABLE, EMG LIGHTS (LOWER)		
S-0T123-G	CABLE, EMG LIGHTS SPLITTER		
S-0T123-H	EXTENSION, EMG LIGHTS (REAR)		
C-9T57-A	DC-DC CONVERTER	40-70V/12V 5A	3way

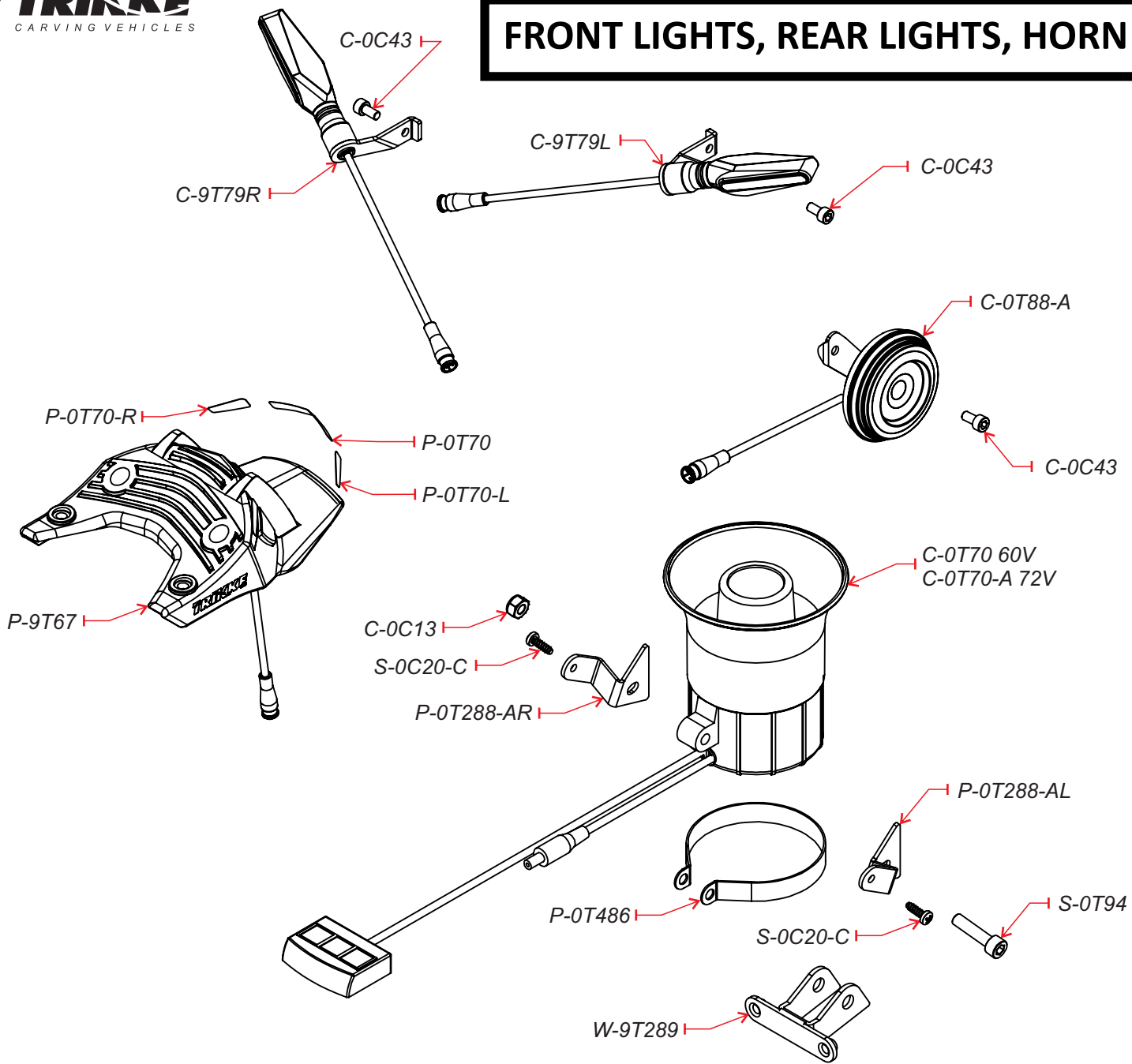
HARNESS, DC Y

DEFENDER 48V 3WD
 DEFENDER 60V 3WD
 DEFENDER 72V 3WD



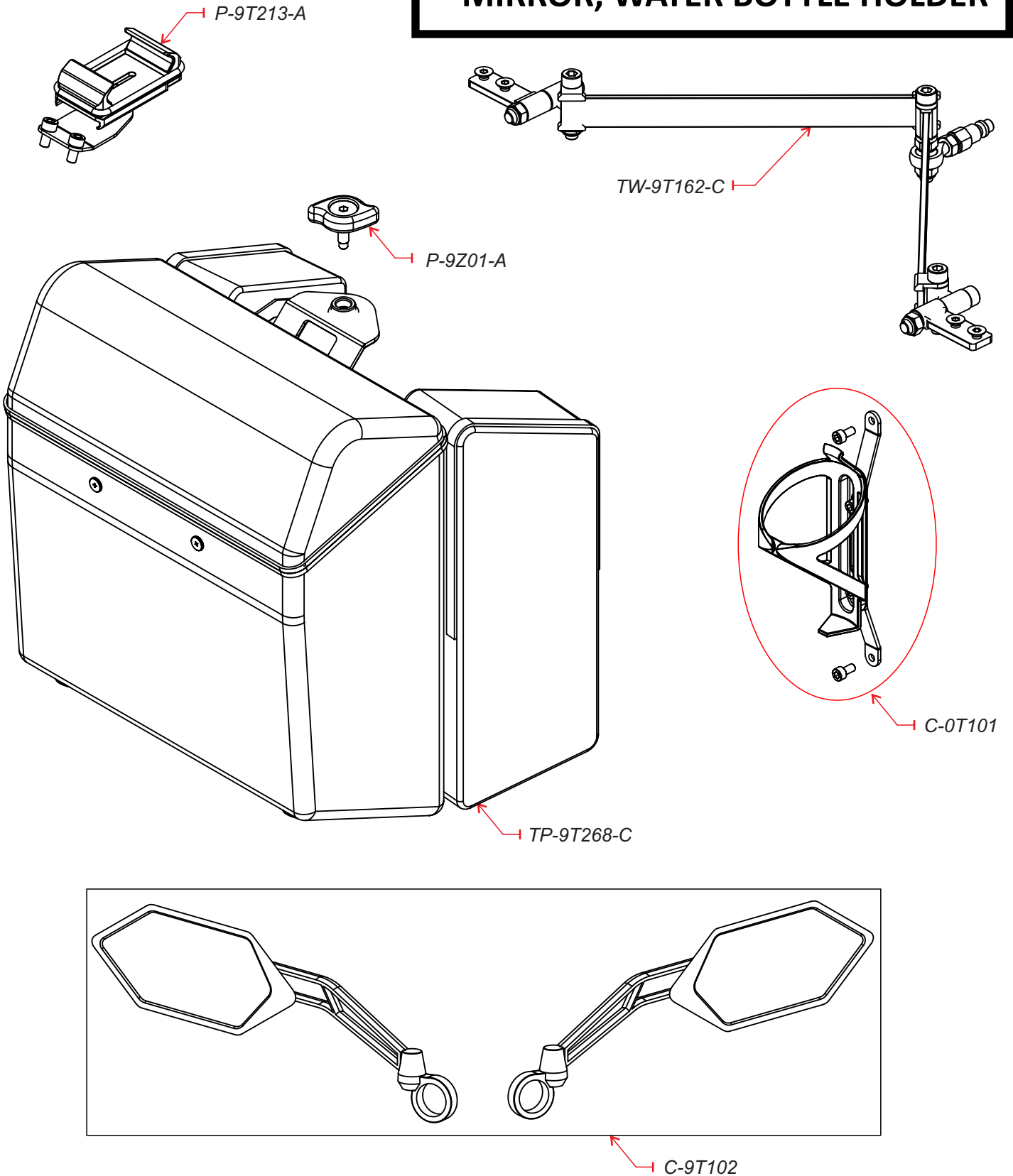
PART #	PART NAME	SPEC	NOTE
C-0T70	SIREN 60V		with bolts, nut and brackets
C-0T70-A	SIREN 72V		with bolts, nut and brackets
C-9T19	LED HEADLIGHT with cradle		
C-9T57-A	DC-DC CONVERTER	40-70V/12V 5A	3way
S-0T131-A	DC CABLE, 1 MALE - 2 FEMALE		1000mm

FRONT LIGHTS, REAR LIGHTS, HORN



PART #	PART NAME	SPEC	NOTE
C-9T79R	LIGHT RH, DRL		with bolts
C-9T79L	LIGHT LH, DRL		with bolts
P-9T67	FENDER, T8HD REAR		with reflectors
P-0T70	REAR REFLECTOR		reflectors set, rear fender
P-0T70-R	REAR REFLECTOR, RIGHT		
P-0T70-L	REAR REFLECTOR, LEFT		
C-0T88-A	HORN, BEEP		with bolt
C-0T70	SIREN 60V		with bolts, nut and brackets
C-0T70-A	SIREN 72V		with bolts, nut and brackets
P-0T288-AR	BRACKET, BIG SIREN RH		
P-0T288-AL	BRACKET, BIG SIREN LH		
P-0T486	CLAMP, SIREN BODY		
W-9T289	BRACKET, BIG SIREN		Positron Elite
C-0C43	BOLT, M5 x 10 (DIN 912)		
S-0T94	BOLT, M6 x 25 (DIN 912)		
C-0C13	NUT, M6 NYLOCK (DIN 985)		
S-0C20-C	SCREW, 4 x 12 x 7 (DIN 7981)		

PHONE HOLDER, GEAR BAG, HITCH, MIRROR, WATER BOTTLE HOLDER



PART #	PART NAME	SPEC	NOTE
P-9T213-A	PHONE HOLDER		
TP-9T268-C	GEAR BAG		with knob
P-9Z01-A	KNOB, GLOVE BOX (M7x1)		
TW-9T162-C	HITCH, TRAILER		
C-0T101	WATER BOTTLE HOLDER		
C-9T102	MIRROR PAIR		