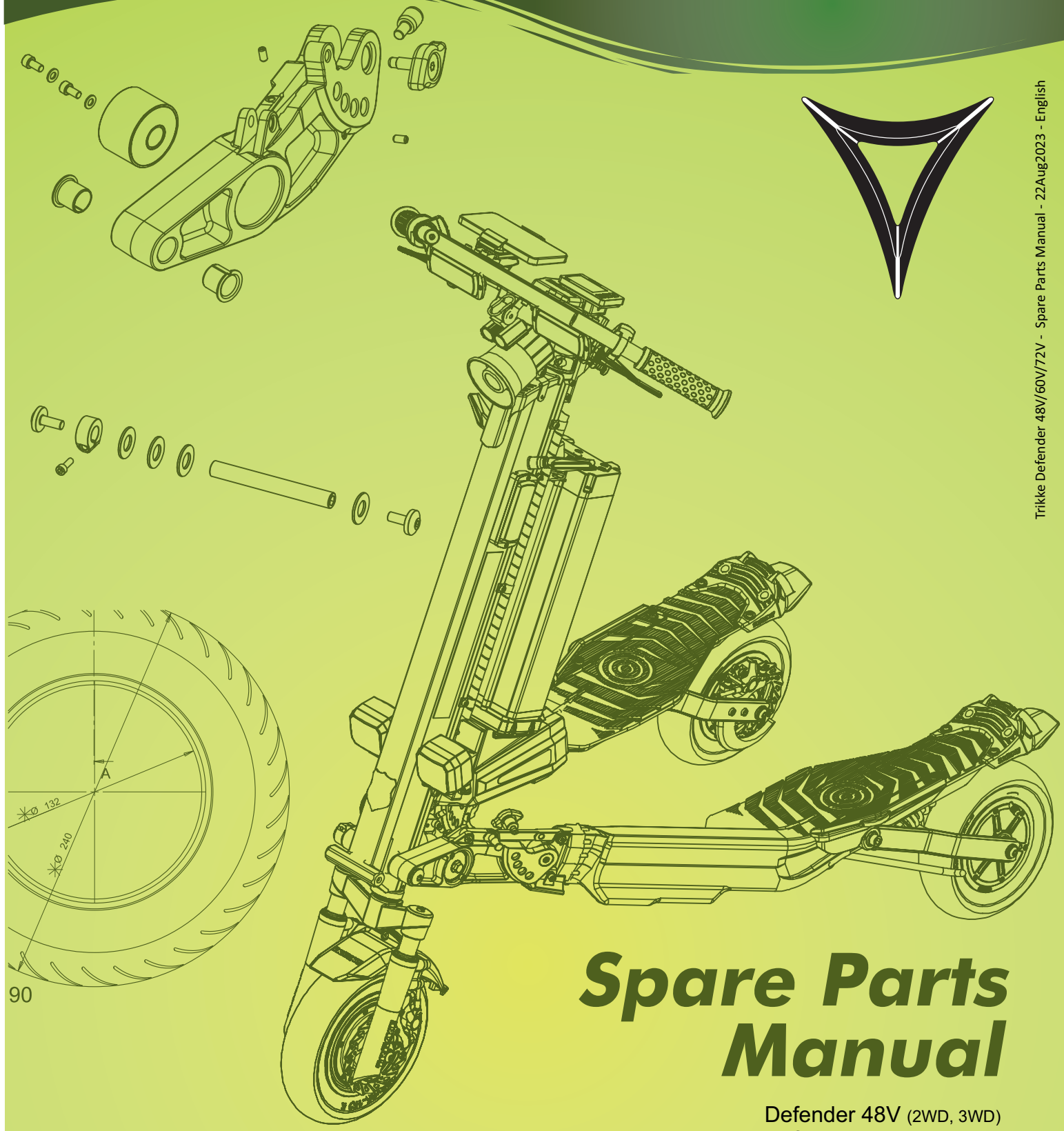


# TRIKKE™

ELECTRIC VEHICLES



Trikke Defender 48V/60V/72V - Spare Parts Manual - 22Aug2023 - English



## Spare Parts Manual

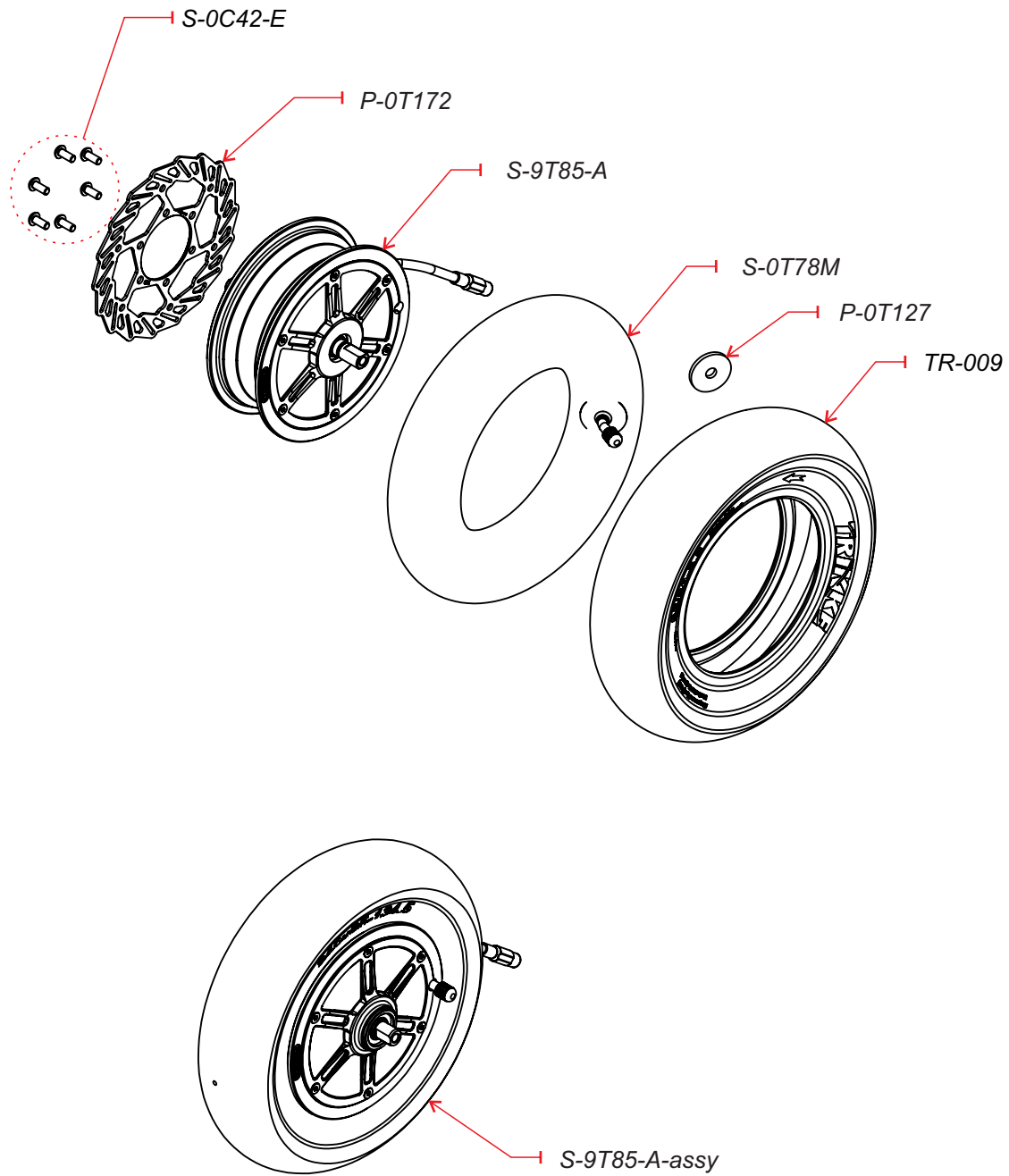
Defender 48V (2WD, 3WD)  
Defender 60V (Positron, Speedr)  
Defender 72V (Positron, Speedr)



To report errors, place questions and suggestions please contact  
Trikke Tech Support at [techsupport@trikke.com](mailto:techsupport@trikke.com)

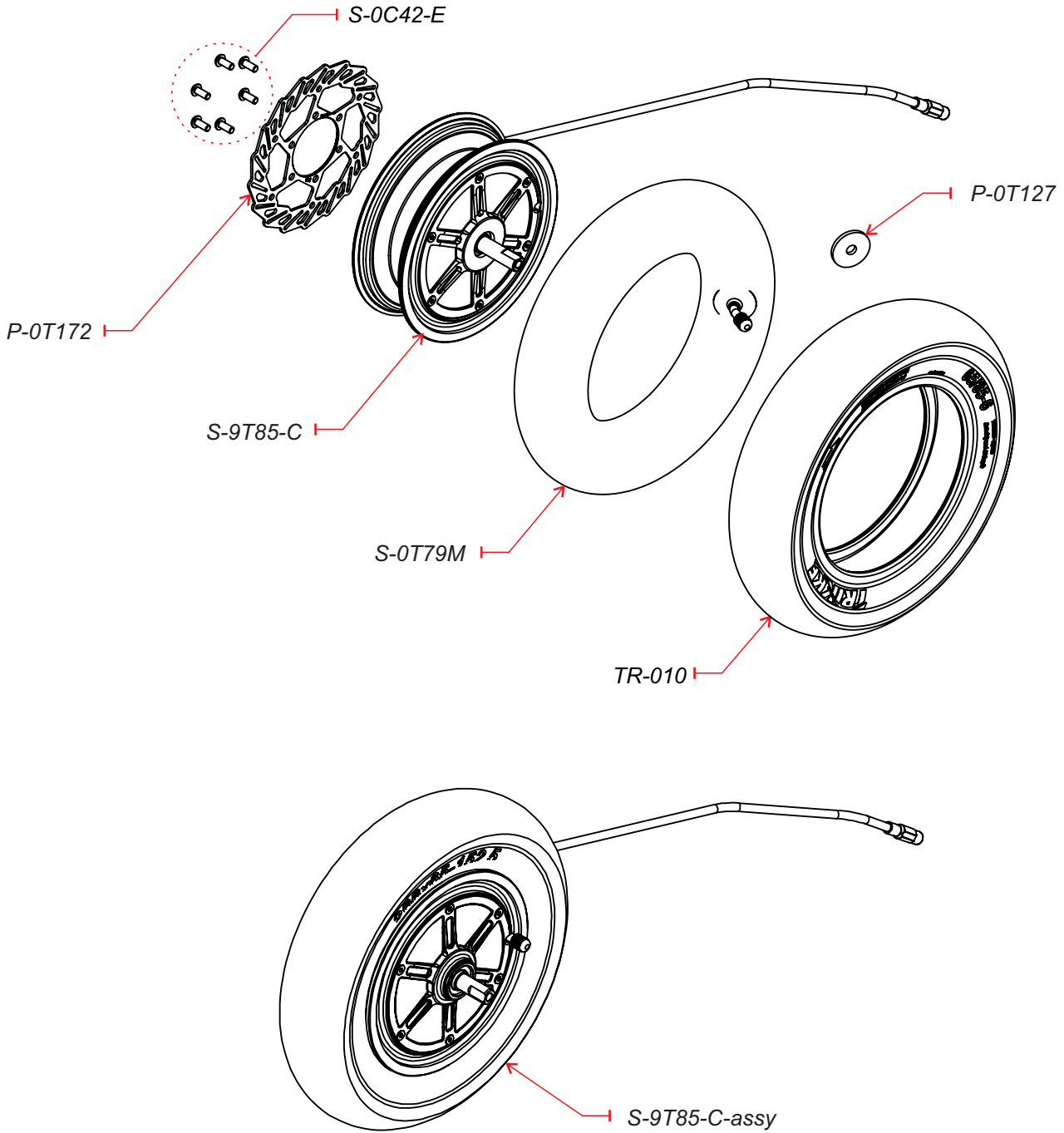
For help in placing an order call (805)693-0800 (USA) or e-mail [sales@trikke.com](mailto:sales@trikke.com)

# Rear Wheel (Motor) (2WD/3WD)



PART #	PART NAME	SPEC	NOTE
S-0C42-E	BOLT TORX T25, M5 x 12 x 9.5	TORX T25, M5 x 12 x 9.5	red color
P-0T172	BRAKE ROTOR, DISC 140mm Motor	Ø140 x 1.85t x Ø48.2	
S-9T85-A	REAR MOTOR	MOTOR (48V/60V/72V)	Rear Wheel
TB-009	TUBE 9.5" x 2.5"	226 x 55	Rear Wheel
P-0T127	WASHER, INNER TUBE RUBBER		
TR-009	TIRE 9.5" x 2.5"	240x65-134.5	Rear Wheel
S-9T85-A-assy	MOTOR REAR - full assy	RH/LH Rotation inverter "jumper" used on LH motor	with tire, tube, brake rotor, axle spacers, key washers and bolts

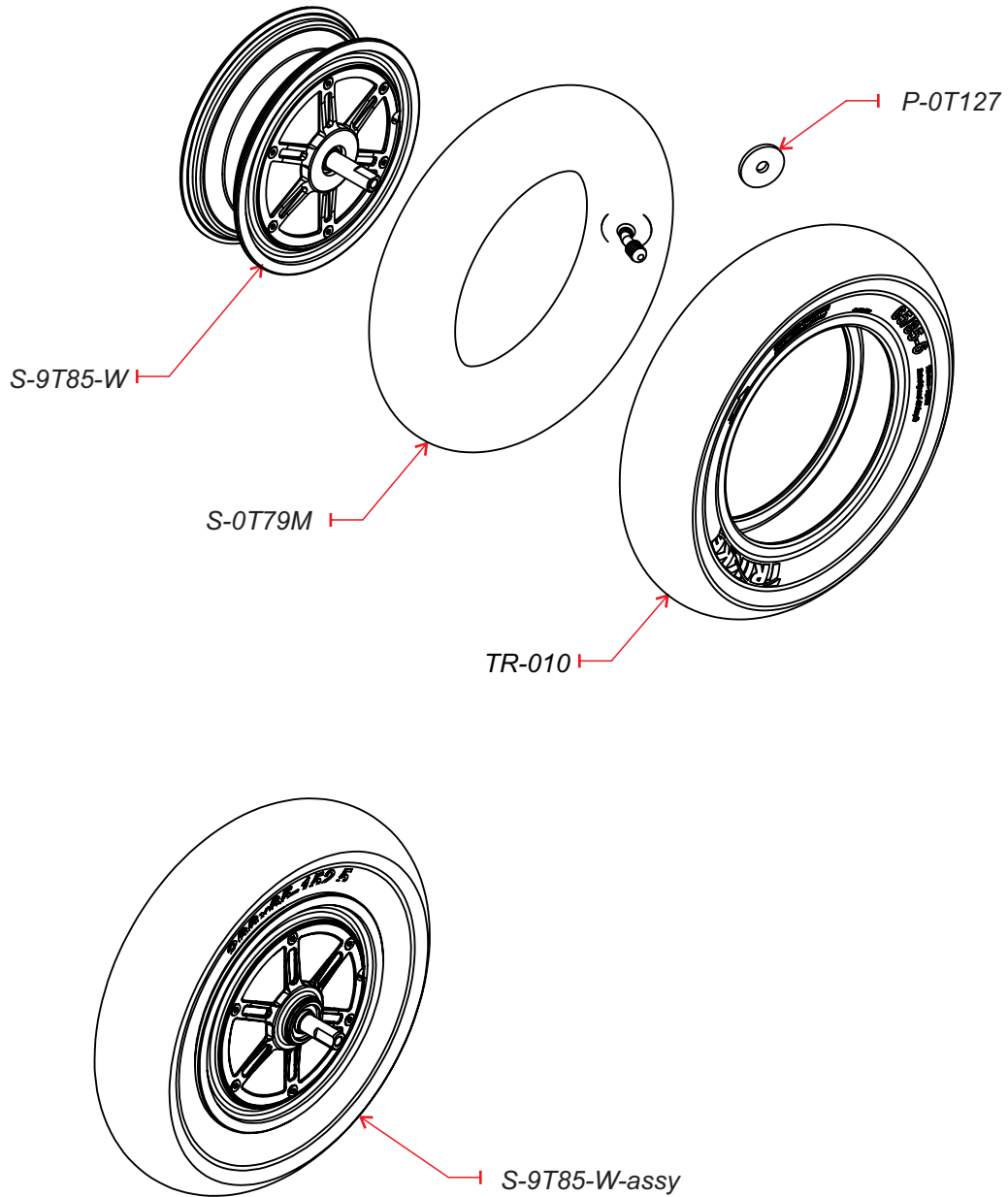
# Front Wheel (Motor) (3WD)



PART #	PART NAME	SPEC	NOTE
S-0C42-E	BOLT TORX T25, M5 x 12 x 9.5	TORX T25, M5 x 12 x 9.5	red color
P-0T172	BRAKE ROTOR, DISC 140mm Motor	Ø140 x 1.85t x Ø48.2	
S-9T85-C	FRONT MOTOR	MOTOR (48V/60V/72V)	Front Wheel
TB-010	TUBE 10" x 2.5"	252 x 55	Front Wheel
P-0T127	WASHER, INNER TUBE RUBBER		
TR-010	TIRE 10" x 2.5"	266x65-153	Front Wheel
S-9T85-C-assy	MOTOR FRONT - full assy		with tire, tube, brake rotor, axle spacers, key washers and bolts

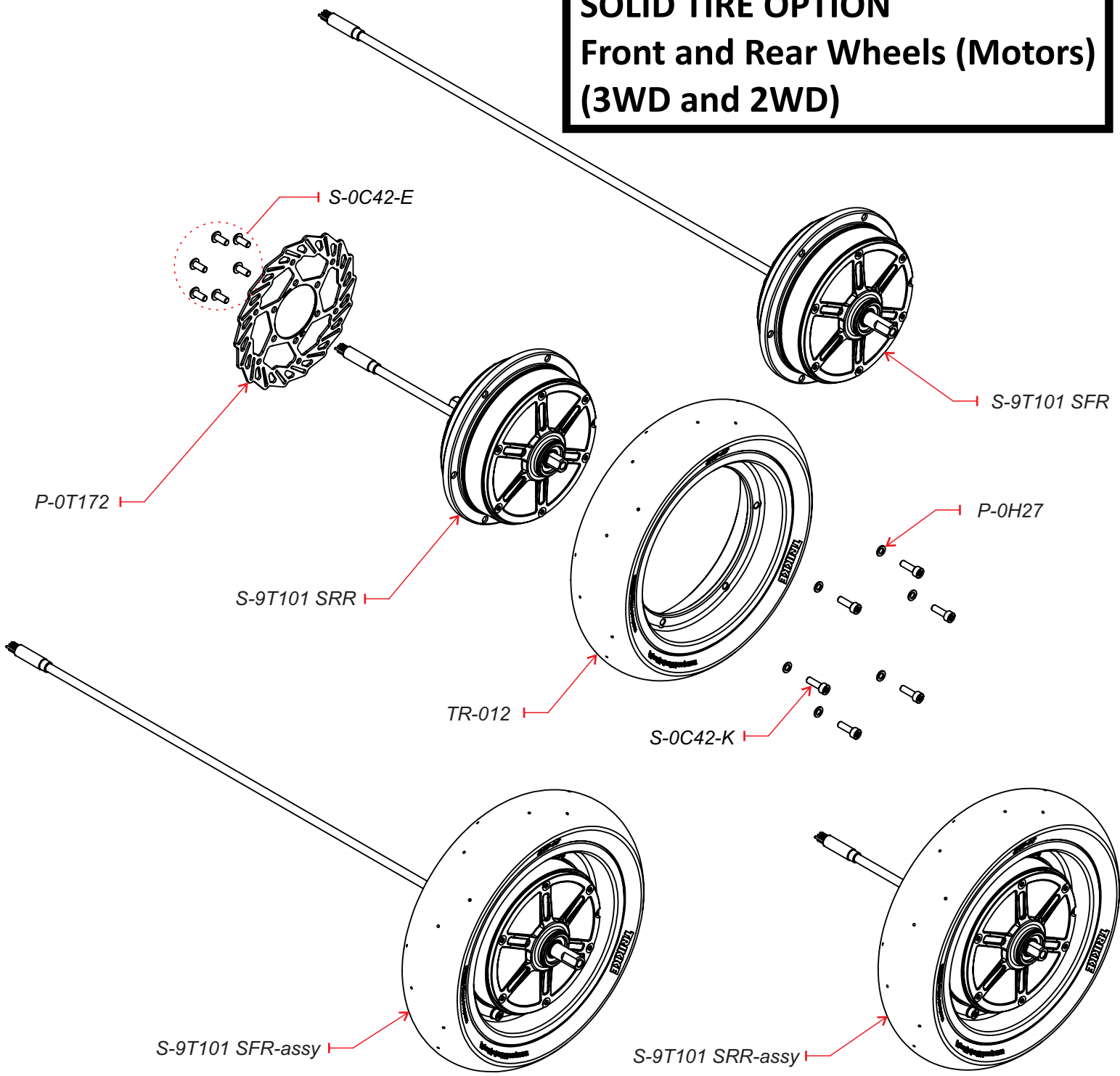


**Front Wheel  
(2WD)**



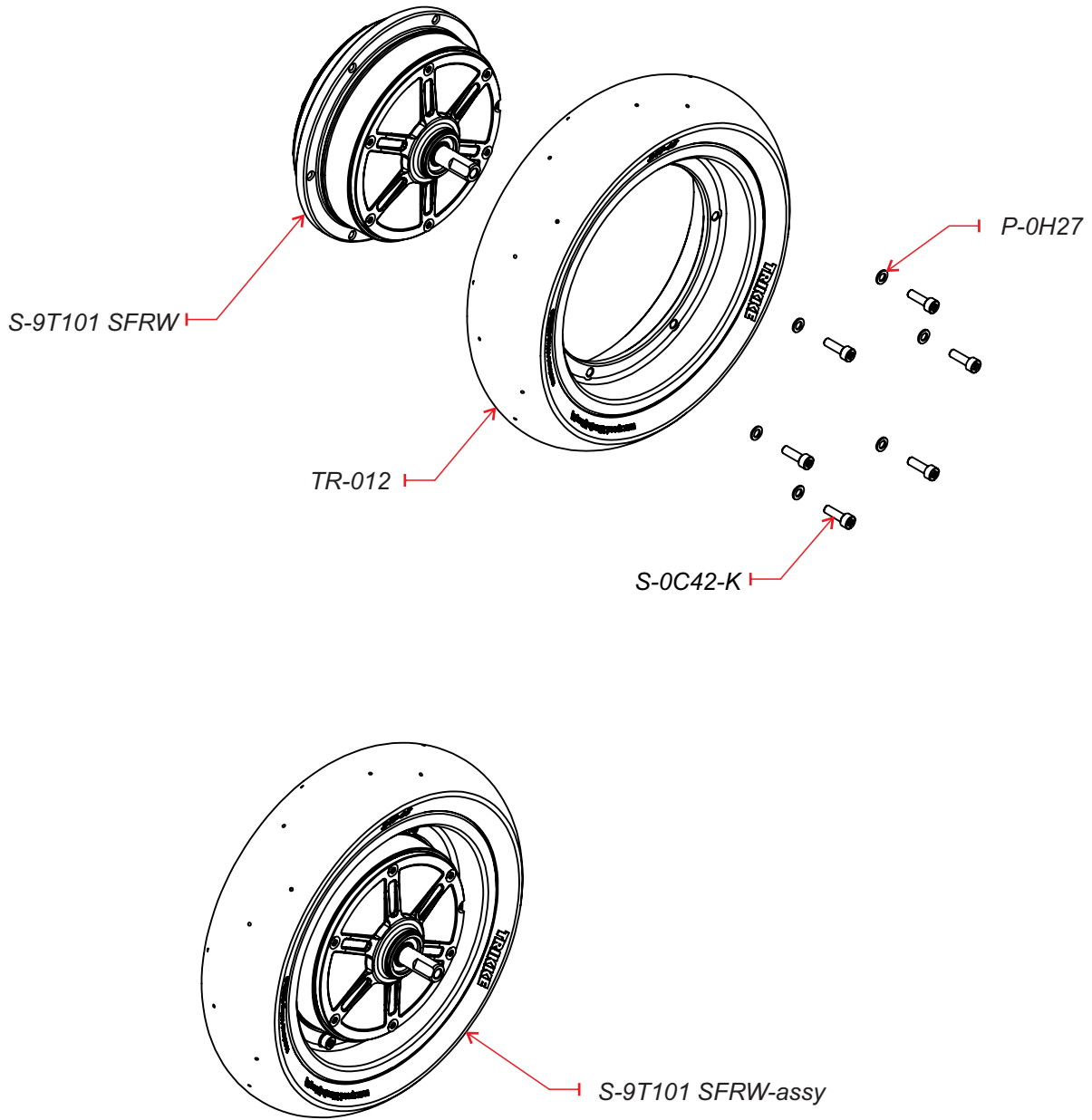
PART #	PART NAME	SPEC	NOTE
S-9T85-W	FRONT WHEEL		
TB-010	TUBE 10" x 2.5"	252 x 55	Front Wheel
P-0T127	WASHER, INNER TUBE RUBBER		
TR-010	TIRE 10" x 2.5"	266x65-153	Front Wheel
S-9T85-W-assy	FRONT WHEEL - full assy		with tire, tube, axle spacers, key washers and bolts

## SOLID TIRE OPTION Front and Rear Wheels (Motors) (3WD and 2WD)



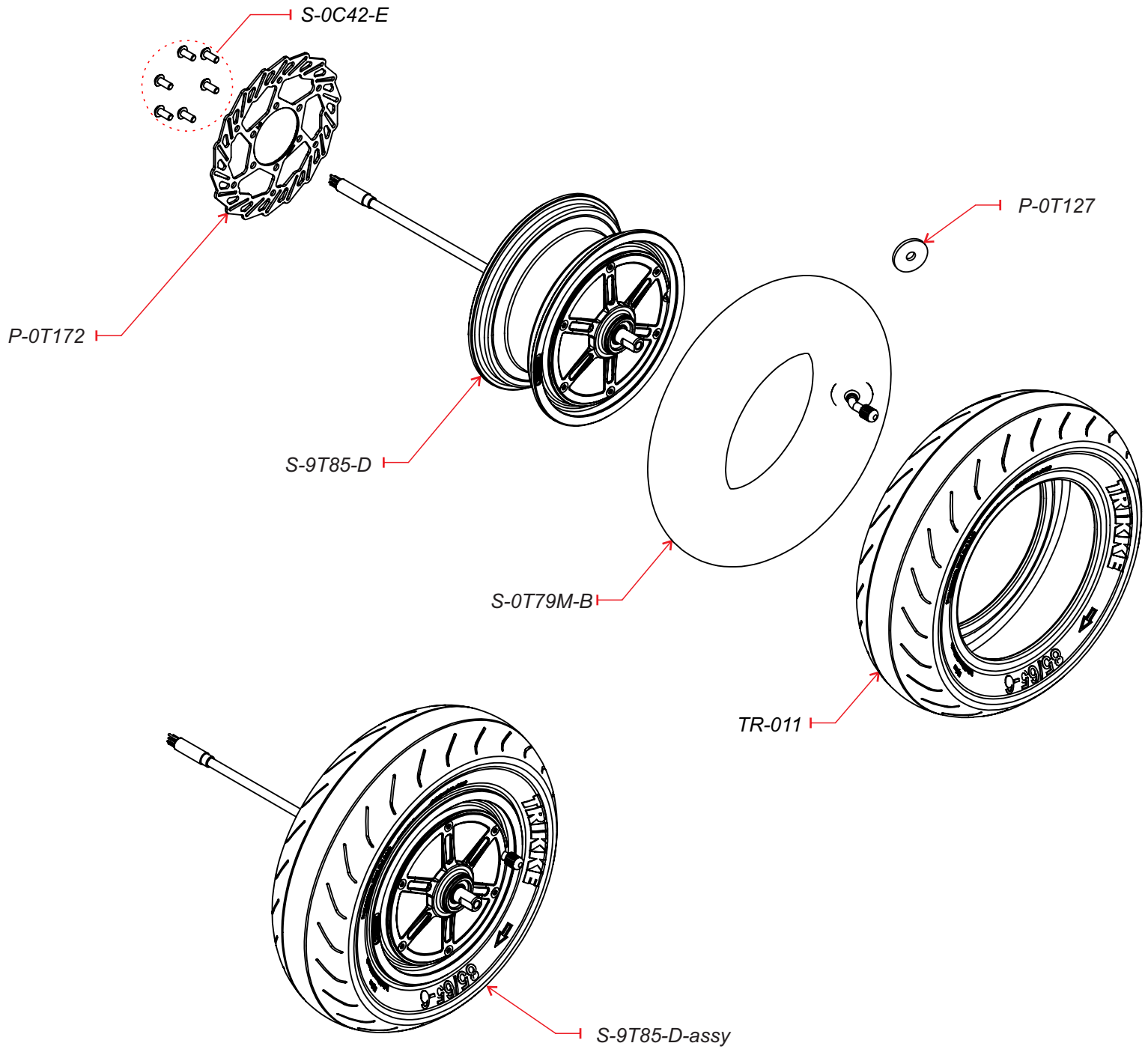
PART #	PART NAME	SPEC	NOTE
S-0C42-E	BOLT TORX T25, M5 x 12 x 9.5	TORX T25, M5 x 12 x 9.5	red color
P-0T172	BRAKE ROTOR, DISC 140mm Motor	Ø140 x 1.85t x Ø48.2	
S-9T101 SFR	FRONT MOTOR	MOTOR (48V/60V/72V)	Front Wheel
S-9T101 SRR	REAR MOTOR	MOTOR (48V/60V/72V)	Rear Wheel
TR-012	SOLID TIRE 245-65	245-65	Front and Rear Wheel
P-0H27	WASHER, Ø9 x Ø5.3 x 1 (DIN 433)	Ø9 x Ø5.3 x 1 (DIN 433)	
S-0C42-K	BOLT TORX T25, M5 x 16 x 8.5	M5 x 16 x 8.5 TORX	
S-9T101 SFR-assy	FRONT MOTOR - full assy		with solid tire, brake rotor, axle spacers, key washers, washers and bolts
S-9T101 SRR-assy	REAR MOTOR - full assy	RH/LH Rotation inverter "jumper" used on LH motor	with solid tire, brake rotor, axle spacers, key washers, washers and bolts

**SOLID TIRE OPTION**  
**Front Wheel**  
**(2WD)**



PART #	PART NAME	SPEC	NOTE
S-9T101 SFRW	FRONT WHEEL		
TR-012	SOLID TIRE 245-65	245-65	
P-0H27	WASHER, Ø9 x Ø5.3 x 1 (DIN 433)	Ø9 x Ø5.3 x 1 (DIN 433)	
S-0C42-K	BOLT TORX T25, M5 x 16 x 8.5	M5 x 16 x 8.5 TORX	
S-9T101 SFRW-assy	FRONT WHEEL - full assy		with solid tire, axle spacers, key washers, washers and bolts

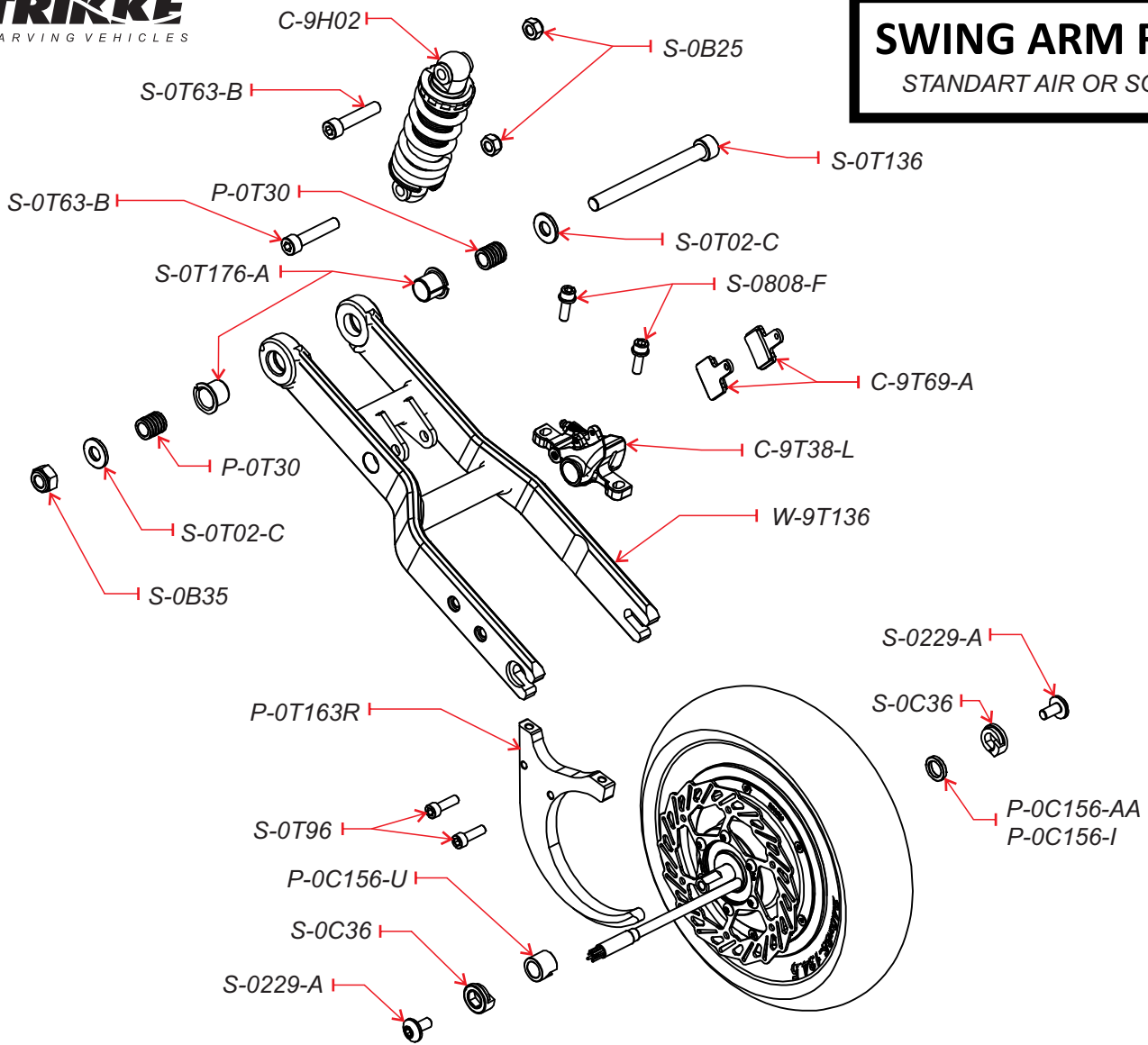
# Model XL Front and Rear Wheels (Motor)



PART #	PART NAME	SPEC	NOTE
S-0C42-E	BOLT TORX T25, M5 x 12 x 9.5	TORX T25, M5 x 12 x 9.5	red color
P-0T172	BRAKE ROTOR, DISC 140mm Motor	Ø140 x 1.85t x Ø48.2	
S-9T85-D	MOTOR	MOTOR (48V/60V/72V)	Front and Rear Wheel
TB-011	TUBE 85/65-6	266x85-153	Front and Rear Wheel
P-0T127	WASHER, INNER TUBE RUBBER		
TR-011	TIRE 85/65-6	266x85-153	Front and Rear Wheel
S-9T85-D-assy	MOTOR REAR - full assy	RH/LH Rotation inverter "jumper" used on LH motor	with tire, tube, brake rotor, axle spacers, key washers and bolts

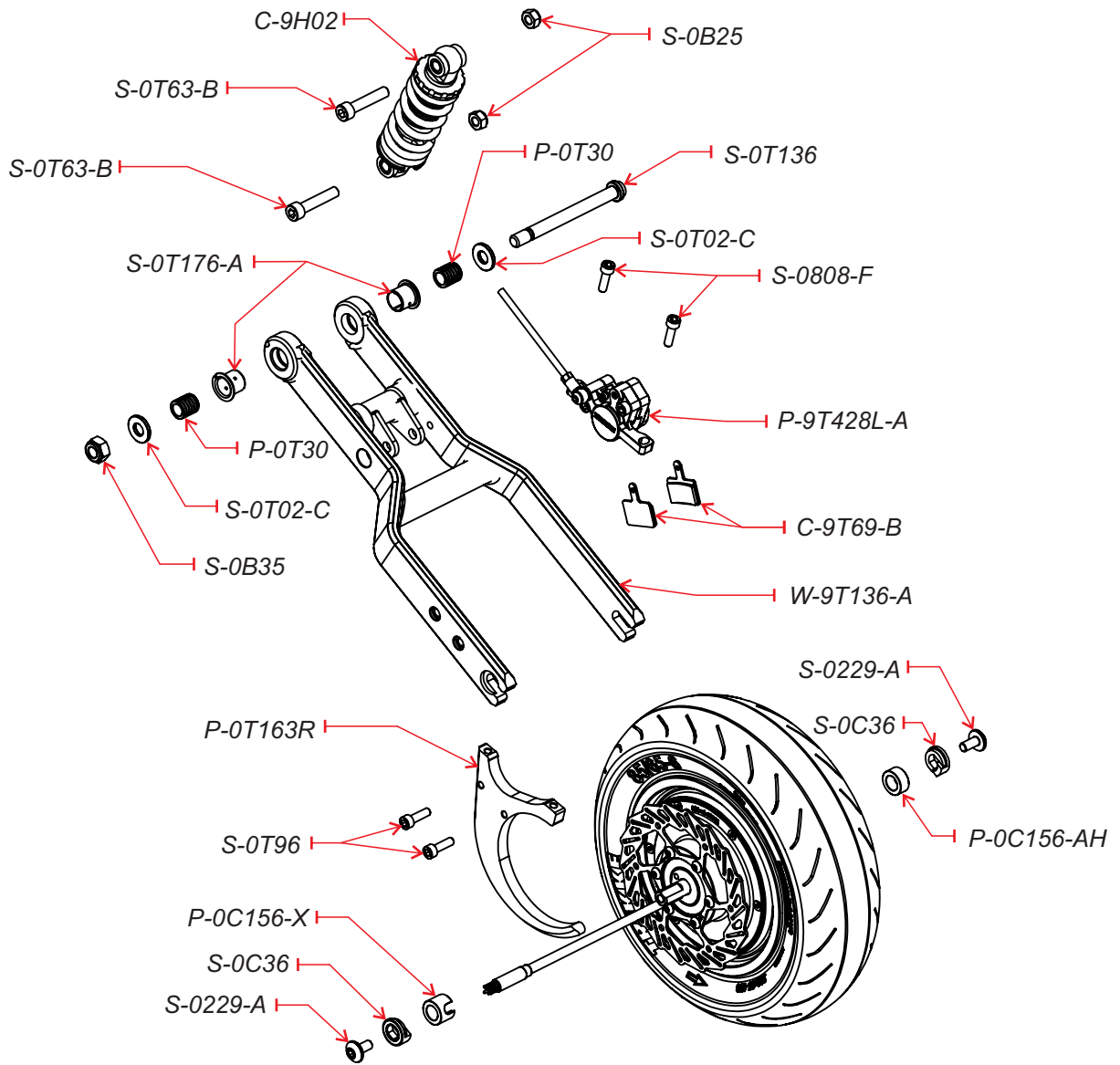
# SWING ARM RIGHT

STANDART AIR OR SOLID TIRE



PART #	PART NAME	SPEC	NOTE
C-9H02	SHOCK ABSORBER C/C100mm air 2018-2020		
	SHOCK ABSORBER C/C125mm spring/oil 2021		
	SHOCK ABSORBER C/C125mm spring 2021 (2WD)		
S-0B25	NUT NYLOCK, M8x1.25 (DIN 985)		
S-0T63-B	BOLT, M8 x 45 x 13 (DIN 912)		
S-0T176-A	BUSHING, SWING ARM FLANGED 2018-2020		
	BUSHING, SWING ARM FLANGED 2021		
P-0T30	SPACER, SWING ARM AXLE		
S-0T02-C	WASHER, Ø22 x Ø10.1 x 2.5t		
S-0T136	BOLT, M10x1.25 x 109 x 16		
S-0808-F	BOLT, M6 x 18 x 11	red with washer	
S-0B35	NUT NYLOCK, M10x1.25		
S-0229-A	BOLT, M7 x 15 x 17		
S-0C36	WASHER, MOTOR AXLE LOCK		
P-0C156-U	SPACER, MOTOR AXLE 15.1mm	CABLE SIDE (1 or 2 SEAL)	
P-0C156-I	SPACER, MOTOR AXLE 11.3mm	OTHER SIDE (1 SEAL)	
P-0C156-AA	SPACER, MOTOR AXLE 3mm	OTHER SIDE (2 SEAL)	
W-9T136	SWING ARM WELDED		
P-0T163R	ADAPTOR RH, CALIPER - (RIGHT ARM)		
S-0T96	BOLT, M6 x 16 x 10 (DIN 912)		
C-9T38-L	BRAKE CALIPER LH		red caliper
C-9T69-A	PAD SET, BRAKE CALIPER (pair, one caliper)		red caliper

# SWING ARM RIGHT XL

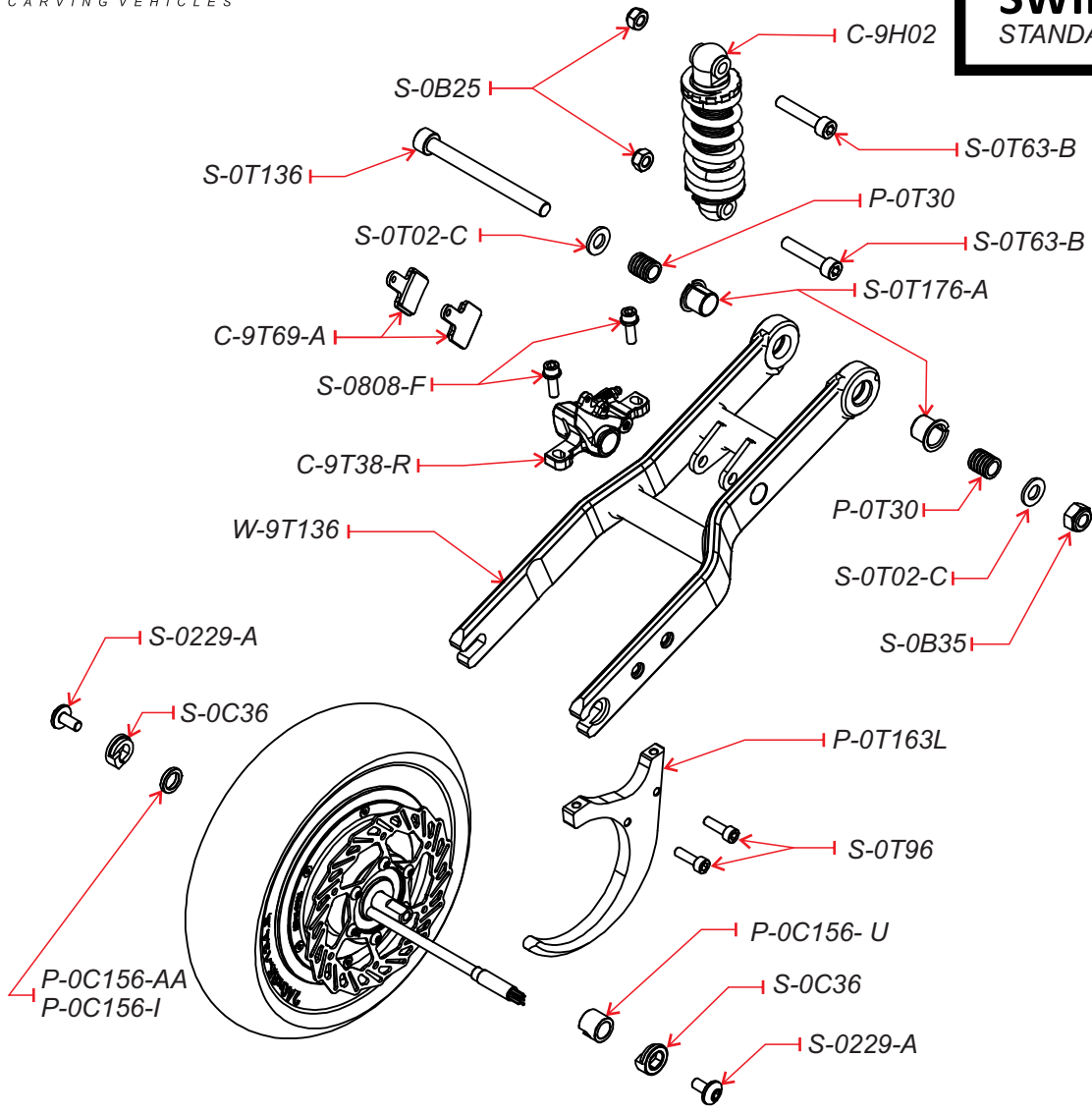


PART #	PART NAME	SPEC	NOTE
C-9H02	SHOCK ABSORBER C/C125mm spring/oil		
S-0B25	NUT NYLOCK, M8x1.25 (DIN 985)		
S-0T63-B	BOLT, M8 x 45 x 13 (DIN 912)		
S-0T176-A	BUSHING, SWING ARM FLANGED		
P-0T30	SPACER, SWING ARM AXLE		
S-0T02-C	WASHER, Ø22 x Ø10.1 x 2.5t		
S-0T136	BOLT, M10x1.25 x 109 x 16		
S-0808-F	BOLT, M6 x 18 x 11	red with washer	
S-0B35	NUT NYLOCK, M10x1.25		
S-0229-A	BOLT, M7 x 15 x 17		
S-0C36	WASHER, MOTOR AXLE LOCK		
P-0C156-X	SPACER, MOTOR AXLE 15mm	CABLE SIDE	
P-0C156-AH	SPACER, MOTOR AXLE 9.1mm	OTHER SIDE	
W-9T136-A	SWING ARM WELDED		
P-0T163R	ADAPTOR RH, CALIPER - (RIGHT ARM)		
S-0T96	BOLT, M6 x 16 x 10 (DIN 912)		
P-9T428L-A	BRAKE CALIPER LH		
C-9T69-B	PAD SET, BRAKE CALIPER (pair, one caliper)		

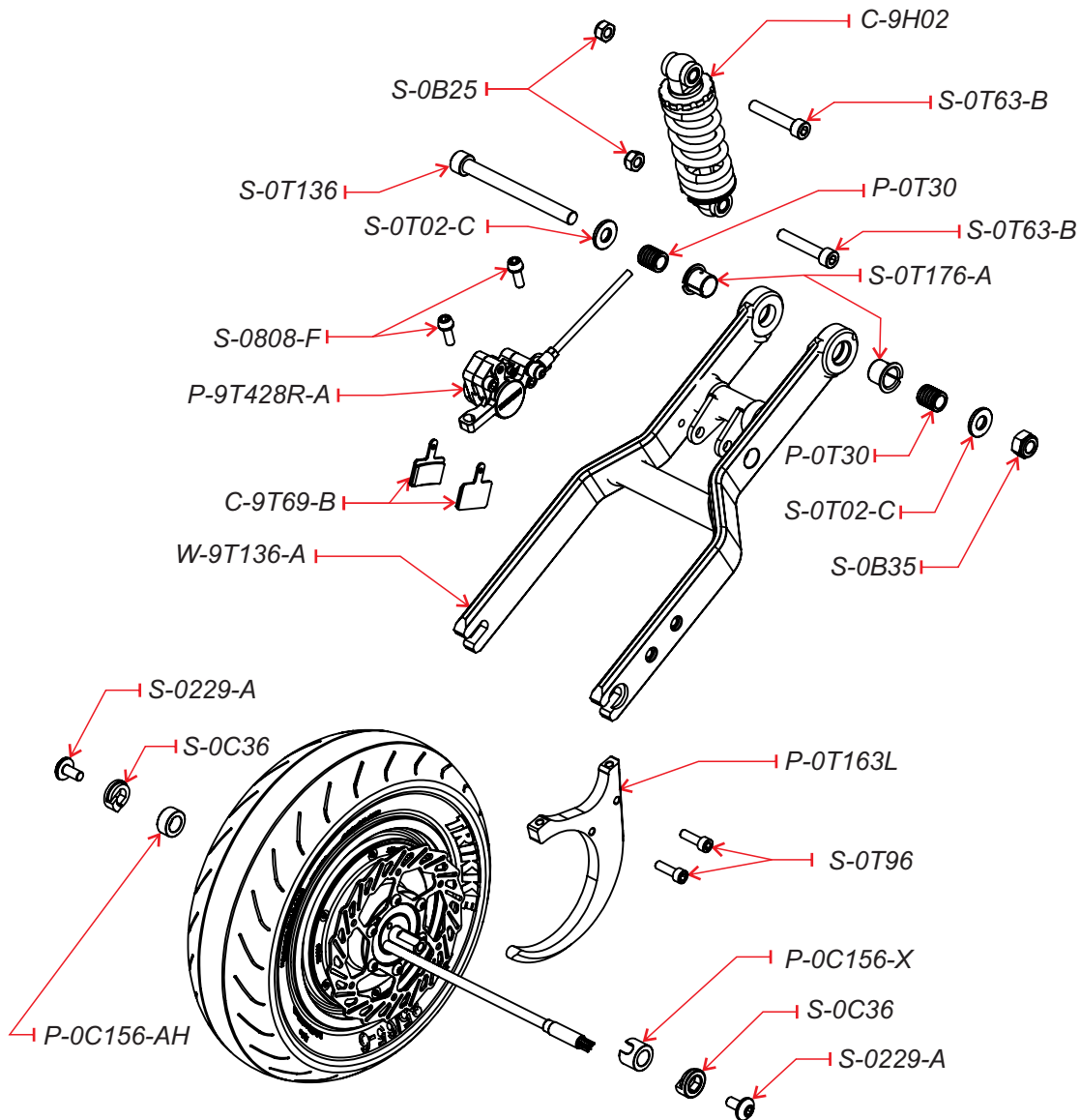


# SWING ARM LEFT

STANDART AIR OR SOLID TIRE



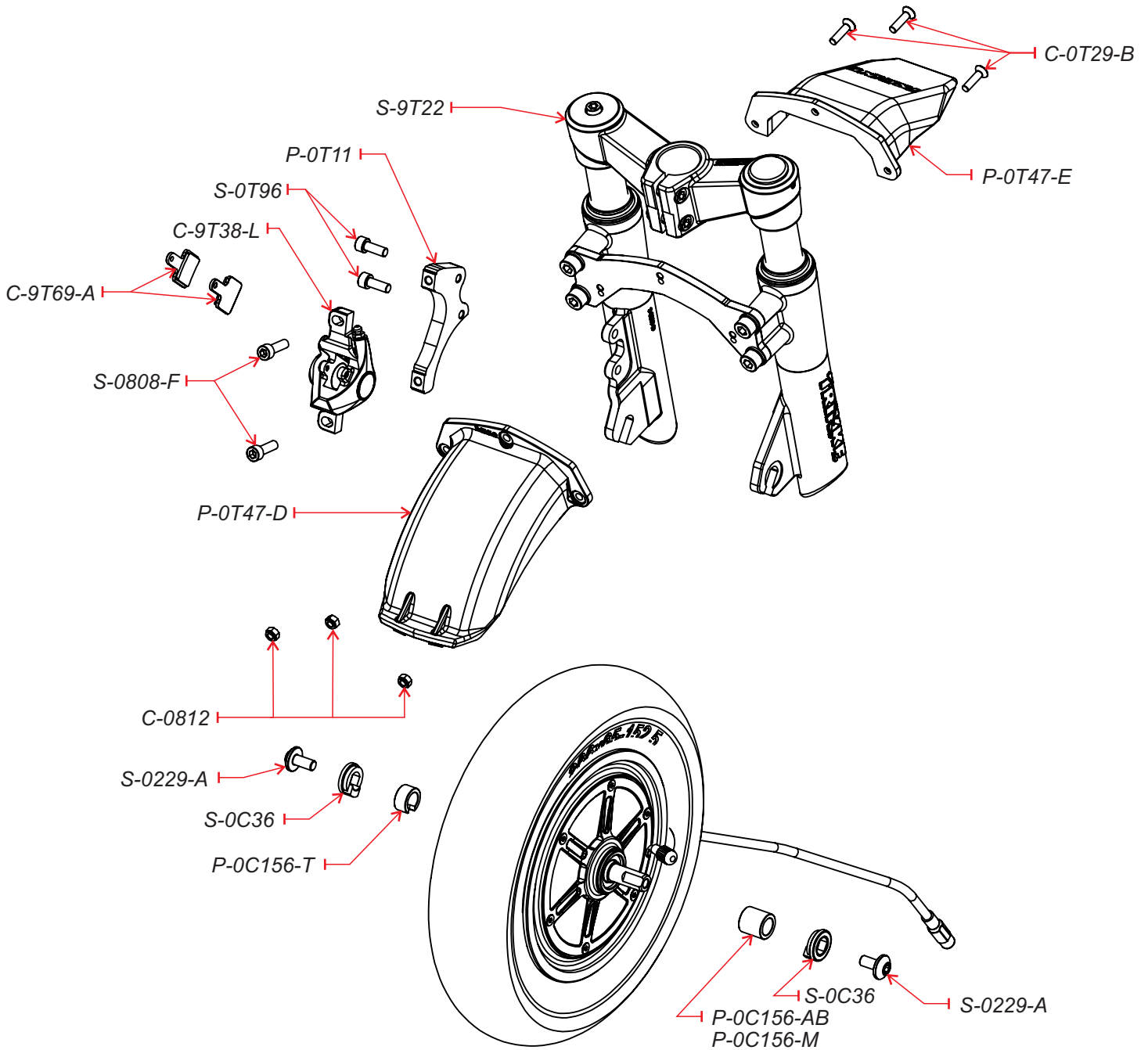
PART #	PART NAME	SPEC	NOTE
C-9H02	SHOCK ABSORBER C/C100mm air 2018-2020		
	SHOCK ABSORBER C/C125mm spring/oil 2021		
	SHOCK ABSORBER C/C125mm spring 2021 (2WD)		
S-0B25	NUT NYLOCK, M8x1.25 (DIN 985)		
S-0T63-B	BOLT, M8 x 45 x 13 (DIN 912)		
S-0T176-A	BUSHING, SWING ARM FLANGED 2018-2020		
	BUSHING, SWING ARM FLANGED 2021		
P-0T30	SPACER, SWING ARM AXLE		
S-0T02-C	WASHER, Ø22 x Ø10.1 x 2.5t		
S-0T136	BOLT, M10x1.25 x 109 x 16		
S-0808-F	BOLT, M6 x 18 x 11	red with washer	
S-0B35	NUT NYLOCK, M10x1.25		
S-0229-A	BOLT, M7 x 15 x 17		
S-0C36	WASHER, MOTOR AXLE LOCK		
P-0C156-U	SPACER, MOTOR AXLE 15.1mm	CABLE SIDE (1 or 2 SEAL)	
P-0C156-I	SPACER, MOTOR AXLE 11.3mm	OTHER SIDE (1 SEAL)	
P-0C156-AA	SPACER, MOTOR AXLE 3mm	OTHER SIDE (2 SEAL)	
W-9T136	SWING ARM WELDED		
P-0T163L	ADAPTOR LH, CALIPER - (LEFT ARM)		
S-0T96	BOLT, M6 x 16 x 10 (DIN 912)		
C-9T38-R	BRAKE CALIPER RH		red caliper
C-9T69-A	PAD SET, BRAKE CALIPER (pair, one caliper)		red caliper



PART #	PART NAME	SPEC	NOTE
C-9H02	SHOCK ABSORBER C/C125mm spring/oil		
S-0B25	NUT NYLOCK, M8x1.25 (DIN 985)		
S-0T63-B	BOLT, M8 x 45 x 13 (DIN 912)		
S-0T176-A	BUSHING, SWING ARM FLANGED		
P-0T30	SPACER, SWING ARM AXLE		
S-0T02-C	WASHER, Ø22 x Ø10.1 x 2.5t		
S-0T136	BOLT, M10x1.25 x 108 x 16		
S-0808-F	BOLT, M6 x 18 x 11	red with washer	
S-0B35	NUT NYLOCK, M10x1.25		
S-0229-A	BOLT, M7 x 15 x 17		
S-0C36	WASHER, MOTOR AXLE LOCK		
P-0C156-X	SPACER, MOTOR AXLE 15mm	CABLE SIDE	
P-0C156-AH	SPACER, MOTOR AXLE 9.1mm	OTHER SIDE	
W-9T136-A	SWING ARM WELDED		
P-0T163R	ADAPTOR LH, CALIPER - (LEFT ARM)		
S-0T96	BOLT, M6 x 16 x 10 (DIN 912)		
P-9T428R-A	BRAKE CALIPER RH		
C-9T69-B	PAD SET, BRAKE CALIPER (pair, one caliper)		

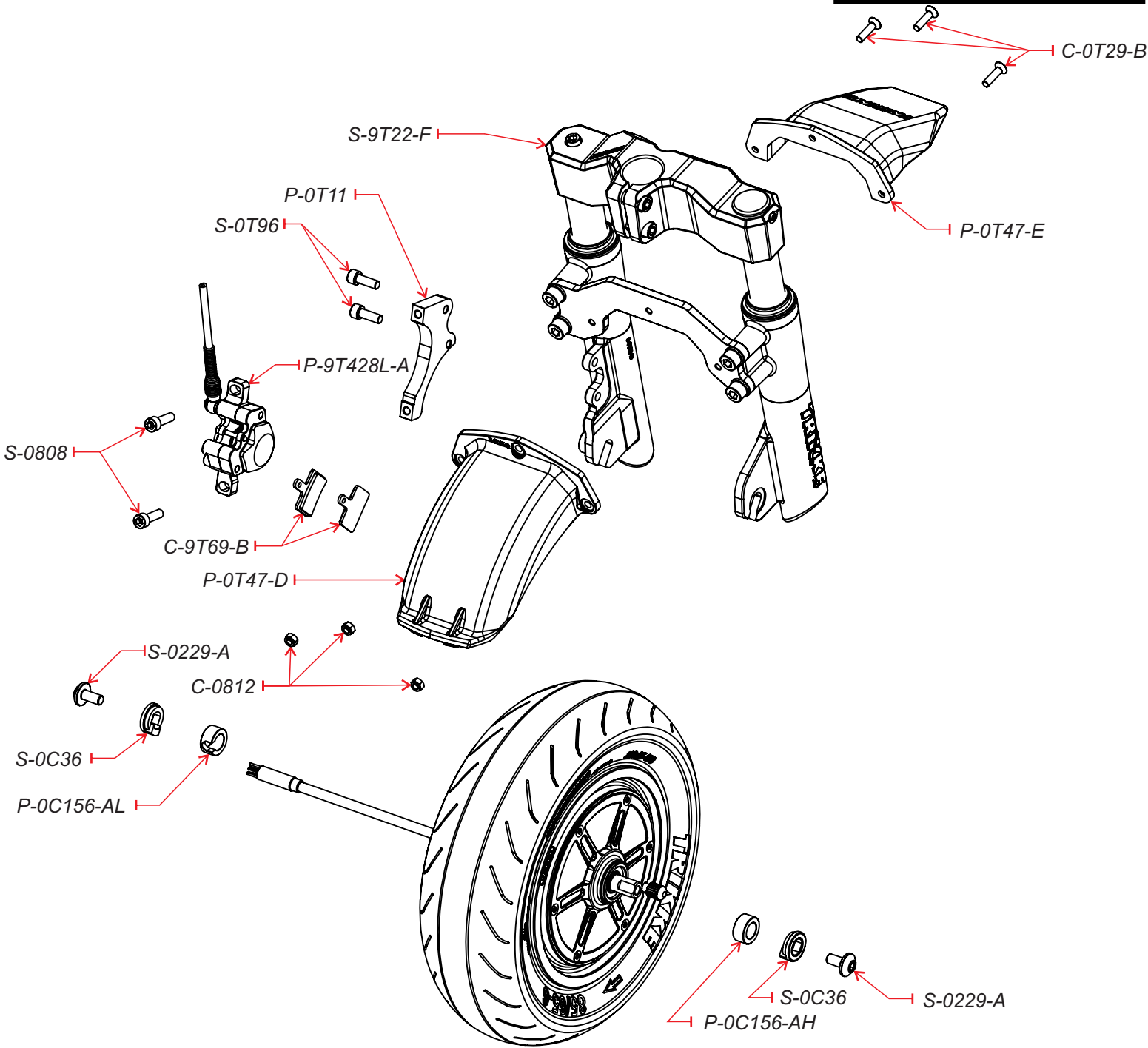
# FRONT FORK

STANDART AIR OR SOLID TIRE



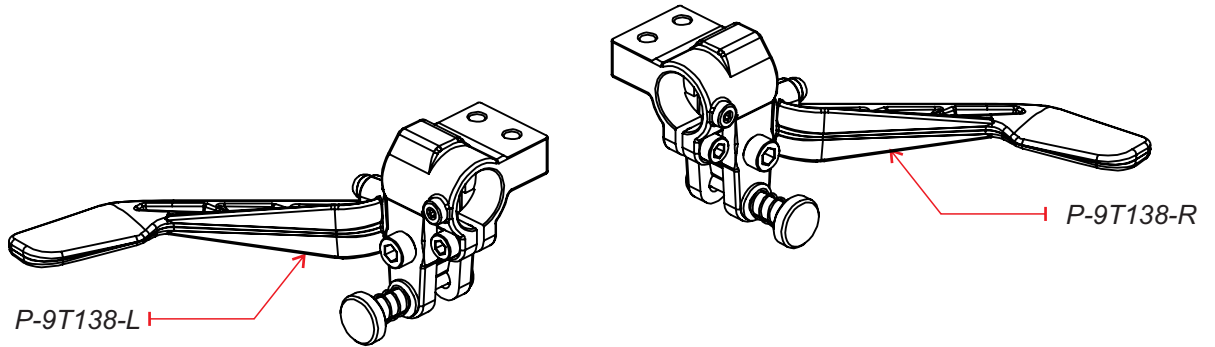
PART #	PART NAME	SPEC	NOTE
S-9T22	FRONT FORK SUS		
P-0T11	ADAPTER, CALIPER		
C-9T38-L	BRAKE CALIPER LH		red caliper
C-9T69-A	PAD, BRAKE CALIPER		red caliper
S-0808-F	BOLT, M6 x 18 x 11	red with washer	
S-0T96	BOLT, M6 x 16 x 10 (DIN 912)		
C-0T29-B	BOLT, M5 x 20 x 10 (DIN 7991)		
P-0T47-D	FENDER BACK, FRONT		
P-0T47-E	FENDER FRONT, FRONT		
C-0812	NUT, M5 NYLOCK (DIN 985)		
S-0229-A	BOLT, M7 x 15 x 17		
S-0C36	WASHER, MOTOR AXLE LOCK		
P-0C156-T	SPACER, MOTOR AXLE 9.2mm	CABLE SIDE (1 or 2 SEAL)	
P-0C156-M	SPACER, MOTOR AXLE 28mm	OTHER SIDE (1 SEAL)	
P-0C156-AB	SPACER, MOTOR AXLE 18mm	OTHER SIDE (2 SEAL)	

# FRONT FORK XL

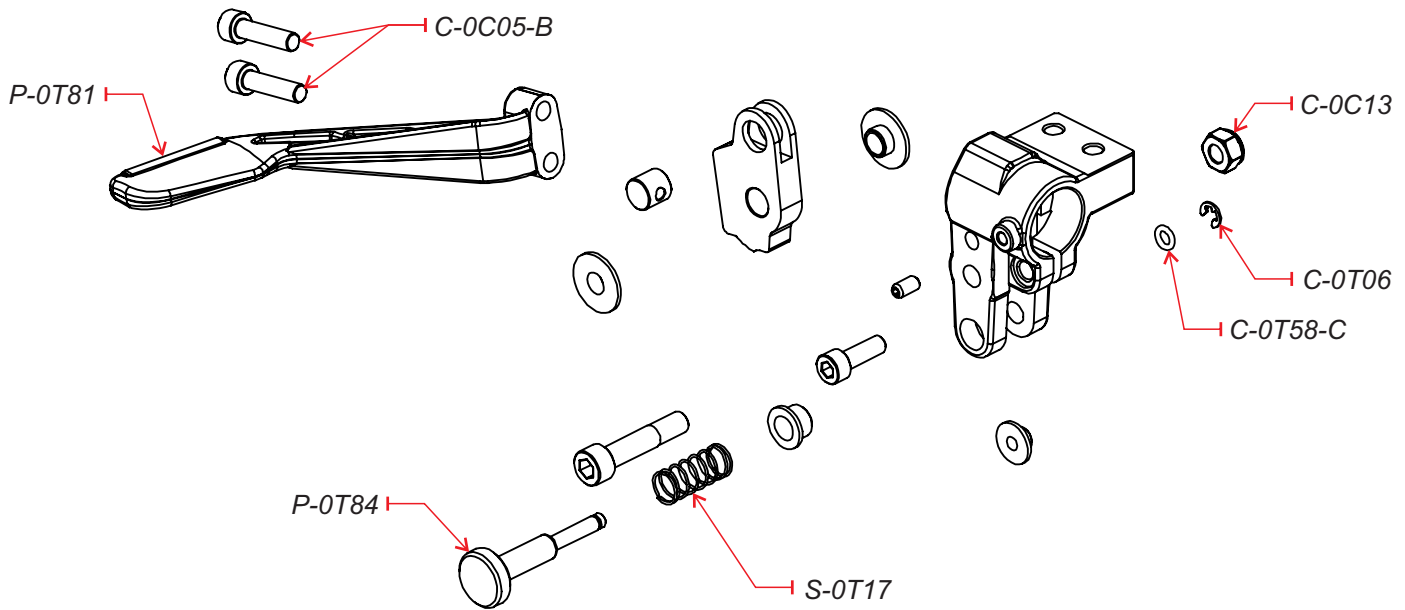


PART #	PART NAME	SPEC	NOTE
S-9T22-F	FRONT FORK SUS		
P-0T11	ADAPTER, CALIPER		
P-9T428L-A	BRAKE CALIPER LH		
C-9T69-B	PAD, BRAKE CALIPER		
S-0808-F	BOLT, M6 x 18 x 11	red with washer	
S-0T96	BOLT, M6 x 16 x 10 (DIN 912)		
C-0T29-B	BOLT, M5 x 20 x 10 (DIN 7991)		
P-0T47-D	FENDER BACK, FRONT		
P-0T47-E	FENDER FRONT, FRONT		
C-0812	NUT, M5 NYLOCK (DIN 985)		
S-0229-A	BOLT, M7 x 15 x 17		
S-0C36	WASHER, MOTOR AXLE LOCK		
P-0C156-AL	SPACER, MOTOR AXLE 9.3mm	CABLE SIDE	
P-0C156-AH	SPACER, MOTOR AXLE 9.1mm	OTHER SIDE	

# BRAKE LEVER



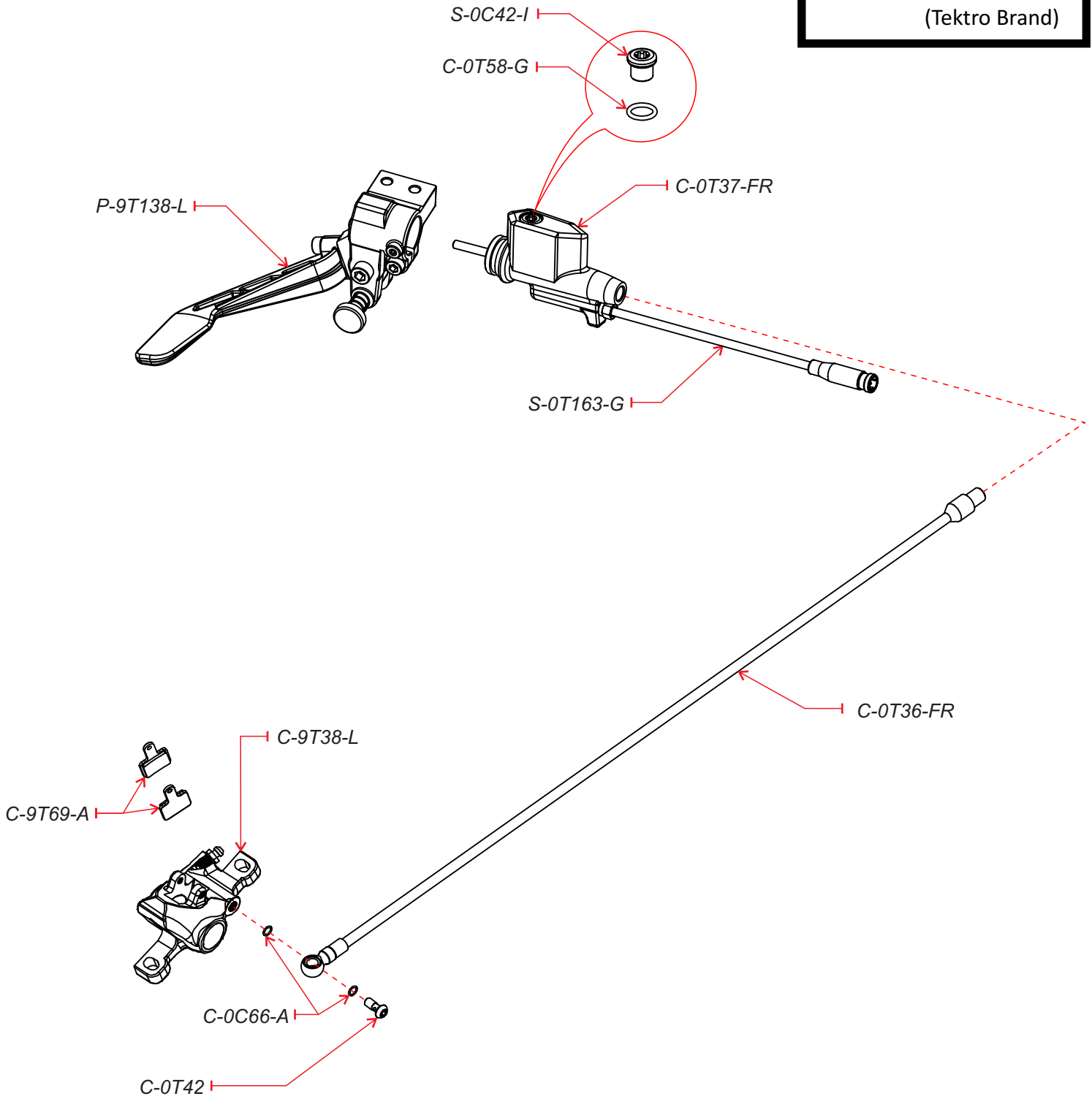
PART #	PART NAME	SPEC	NOTE
P-9T138-L	BRAKE LEVER ASSY LH		
P-9T138-R	BRAKE LEVER ASSY RH		



PART #	PART NAME	SPEC	NOTE
C-0T06	LOCK WASHER 4mm		
C-0T058-C	O'RING 6 x 1.5		
C-0C13	NUT, M6 NYLOCK (DIN 985)		
S-0T17	SPRING, PARK PIN		
P-0T84	PIN, BRAKE LEVER PARK		
P-0T81	PADDLE, BRAKE LEVER		
C-0C05-B	BOLT, M5 x 20 x 8.5 (DIN 912)		

# FRONT BRAKE

up to Jul2022  
serial # 000465  
(Tektro Brand)

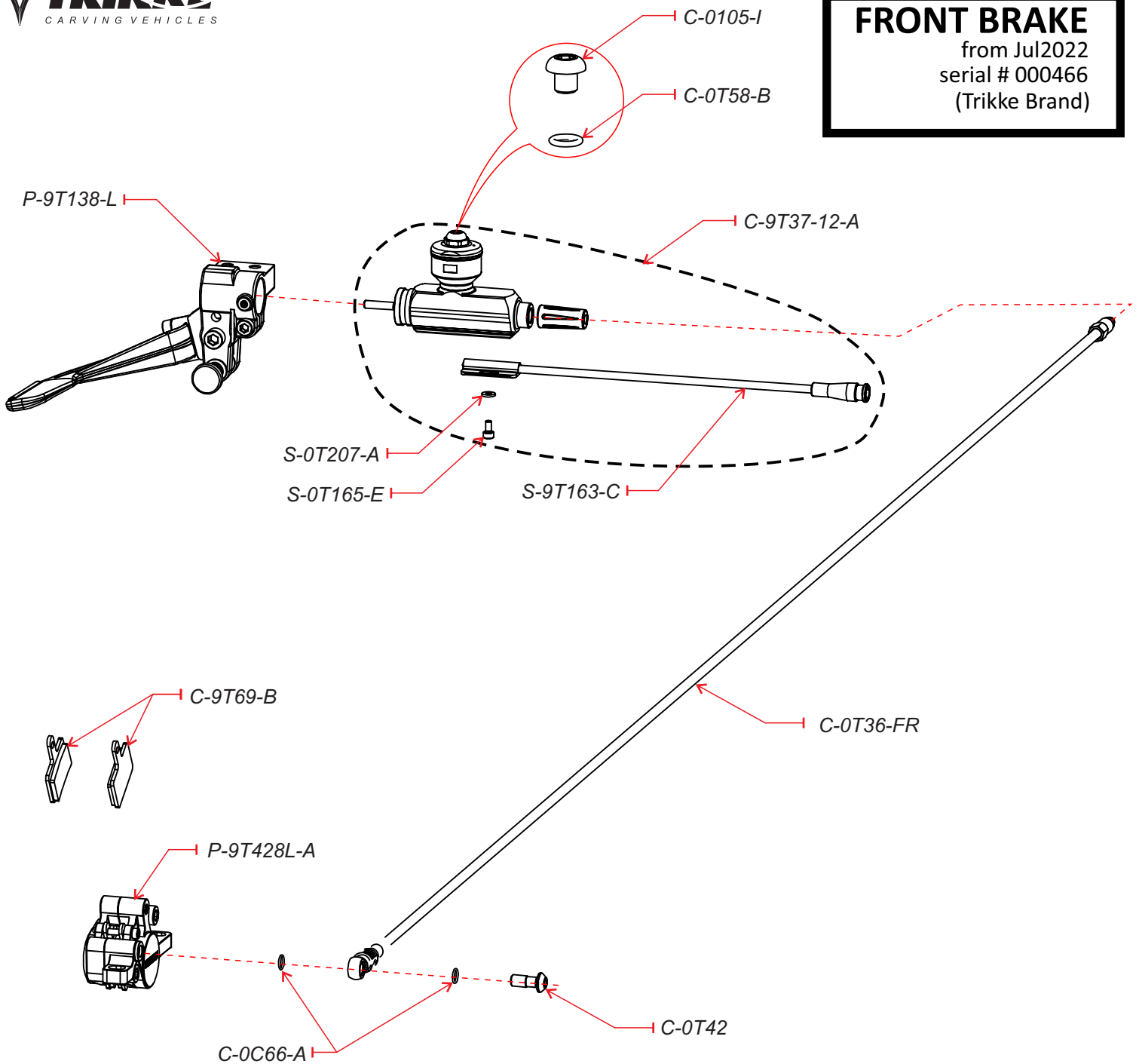


PART #	PART NAME	SPEC	NOTE
P-9T138-L	BRAKE LEVER ASSY FR		
C-0T37-FR	MASTER CYLINDER, BRAKE FR		black/Tektro Master
S-0T163-G	CABLE 2 PIN - MALE and sensor		
S-0C42-I	BOLT PLUG		
C-0T58-G	O'RING, 4 x 1.7 (lock-pin)		
C-0T36-FR	HOSE, FRONT BRAKE	1330mm	black/Tektro Master
C-9T38-L	BRAKE CALIPER LH		red caliper
C-9T69-A	PAD SET, BRAKE CALIPER (pair, one caliper)		red caliper
C-0C66-A	O'RING (6 x 1)		
C-0T42	EYE BOLT, M6 x 16		



# FRONT BRAKE

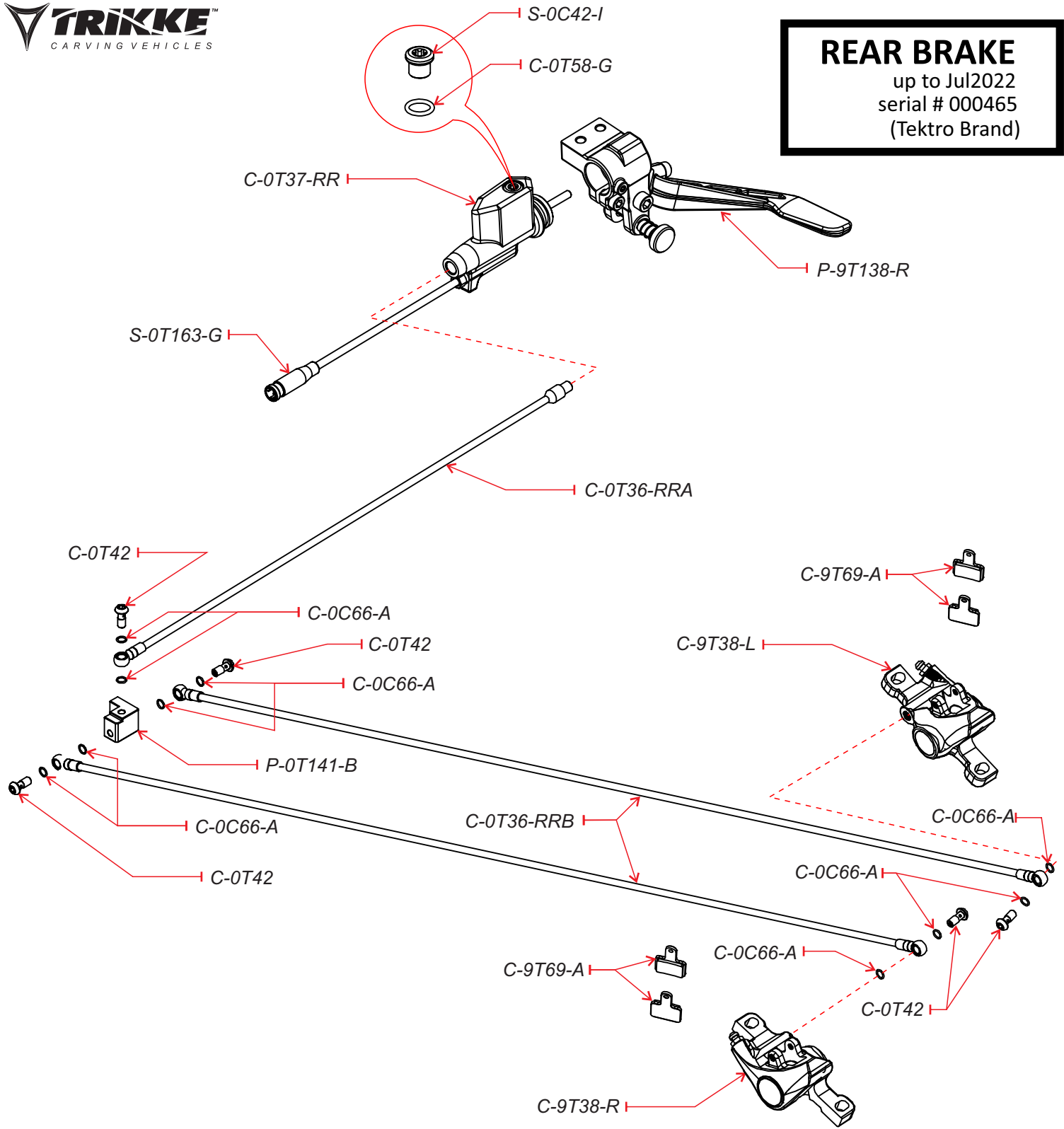
from Jul2022  
serial # 000466  
(Trikke Brand)



PART #	PART NAME	SPEC	NOTE
P-9T138-L	BRAKE LEVER ASSY FR		
C-9T37-12-A	MASTER CYLINDER, BRAKE		
S-9T163-C	CABLE 2 PIN - MALE and sensor		
S-0T207-A	WASHER, Ø7 x Ø3.2 x 1 (DIN 7349)		
S-0T165-E	BOLT, M3 x 6 x 5.5 (DIN 912)		
C-0105-I	BOLT PLUG		
C-0T58-B	O'RING 6 x 1.5		
C-0T36-FR	HOSE, FRONT BRAKE	1378mm	
P-9T428L-A	BRAKE CALIPER LH		
C-0C66-A	O'RING (6 x 1)		
C-0T42	EYE BOLT, M6 x 16		

# REAR BRAKE

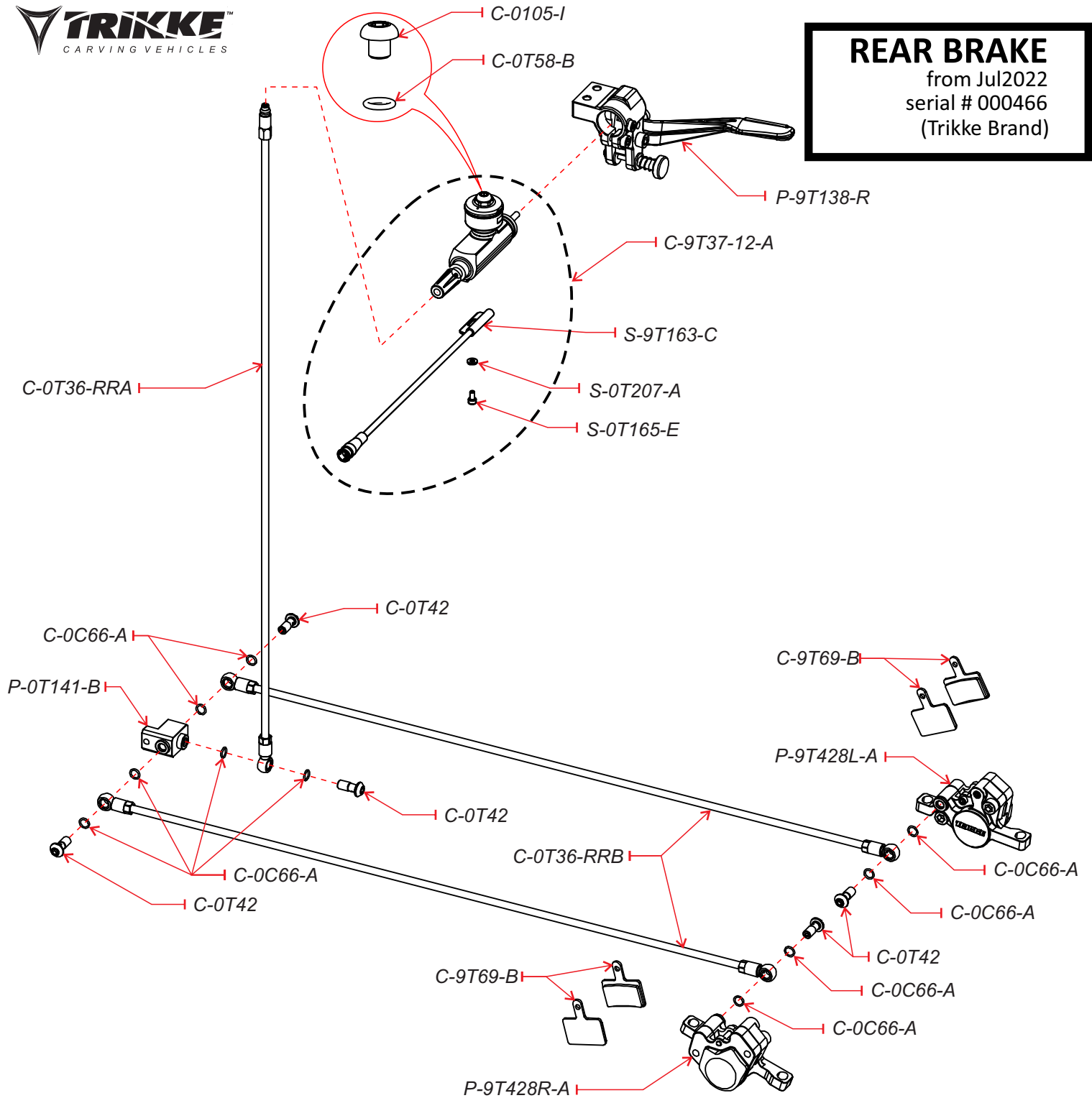
up to Jul2022  
serial # 000465  
(Tektro Brand)



PART #	PART NAME	SPEC	NOTE
P-9T138-R	BRAKE LEVER ASSY RR		
C-0T37-RR	MASTER CYLINDER, BRAKE RR		black/Tektro Master
S-0T163-G	CABLE 2 PIN - MALE and sensor		
S-0C42-I	BOLT PLUG		
C-0T58-G	O'RING, 4 x 1.7 (lock-pin)		
C-0T36-RRA	HOSE, REAR BRAKE (top) 1037mm	1037mm	black/Tektro Master
C-0T36-RRB	HOSE, REAR BRAKE (rear) 1022mm Left/Right	1022mm	Left/Right
C-9T38-L	BRAKE CALIPER LH		red caliper
C-9T38-R	BRAKE CALIPER RH		red caliper
C-9T69-A	PAD SET, BRAKE CALIPER		red caliper
C-0C66-A	O'RING (6 x 1)		
C-0T42	EYE BOLT, M6 x 16		

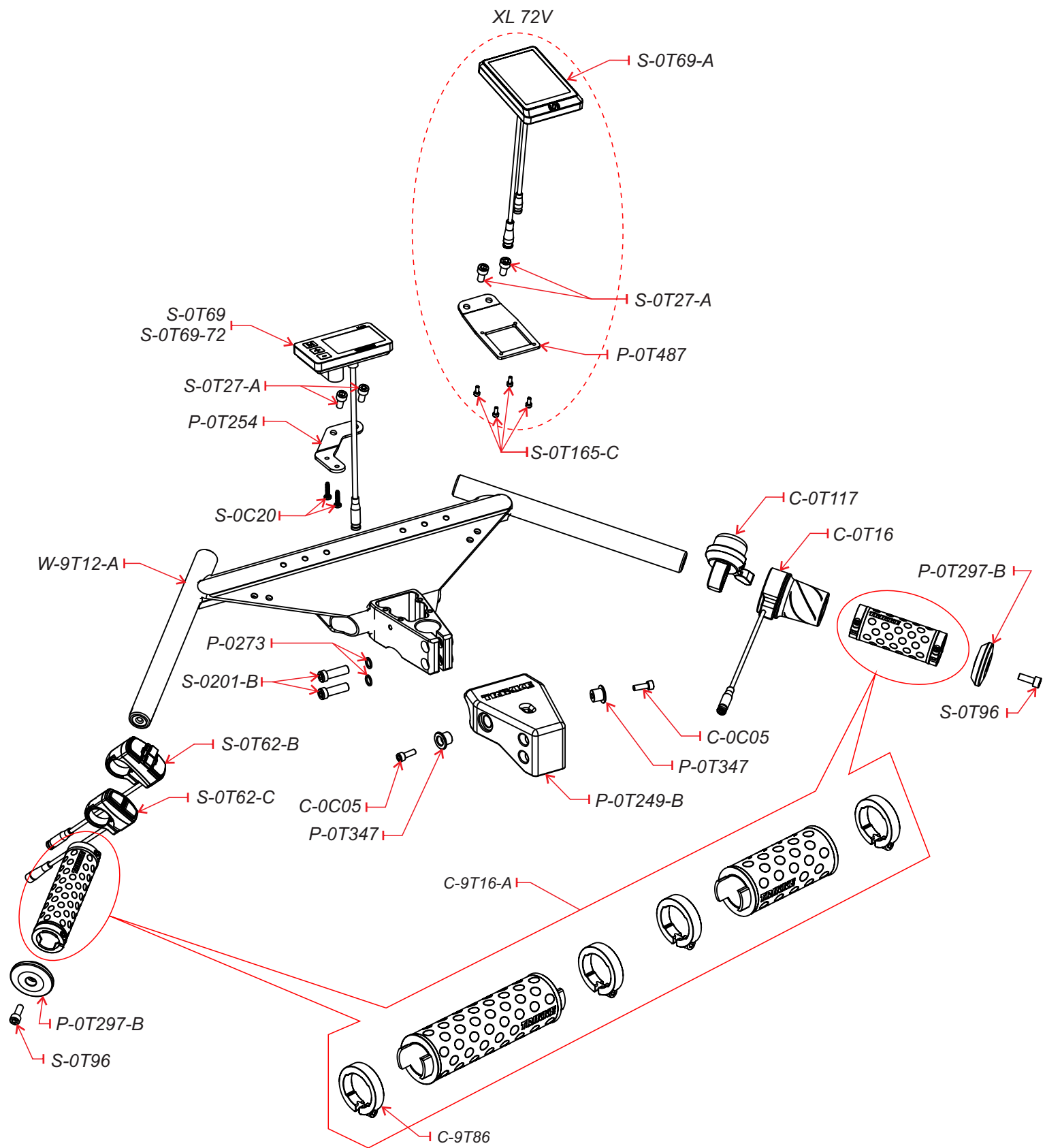
# REAR BRAKE

from Jul2022  
serial # 000466  
(Trikke Brand)

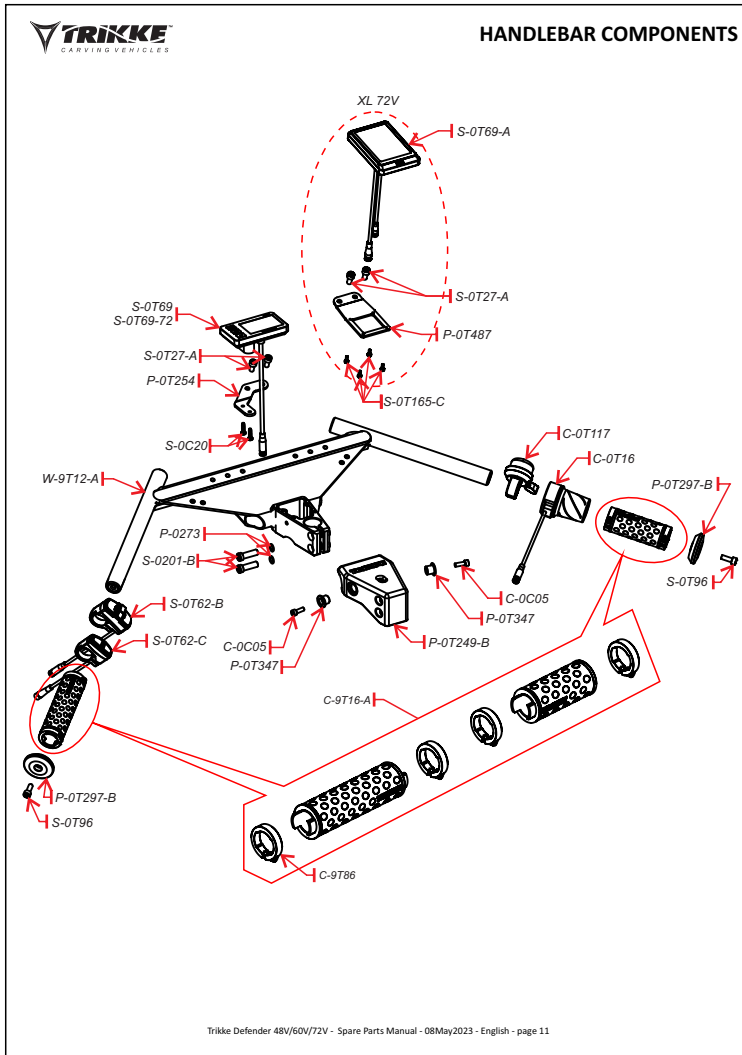


PART #	PART NAME	SPEC	NOTE
P-9T138-R	BRAKE LEVER ASSY RR		
C-9T37-12-A	MASTER CYLINDER, BRAKE		
S-9T163-C	CABLE 2 PIN - MALE and sensor		
S-0T207-A	WASHER, Ø7 x Ø3.2 x 1 (DIN 7349)		
S-0T165-E	BOLT, M3 x 6 x 5.5 (DIN 912)		
C-0105-I	BOLT PLUG		
C-0T58-B	O'RING 6 x 1.5		
C-0T36-RRR	HOSE, REAR BRAKE (top) 1037mm	1037mm	
C-0T36-RRB	HOSE, REAR BRAKE (rear) 1022mm Left/Right	1022mm	Left/Right
P-9T428L-A	BRAKE CALIPER LH		
P-9T428R-A	BRAKE CALIPER RH		
C-0C66-A	O'RING (6 x 1)		
C-0T42	EYE BOLT, M6 x 16		
C-9T69-B	PAD SET, BRAKE CALIPER (pair, one caliper)		

# HANDLEBAR COMPONENTS

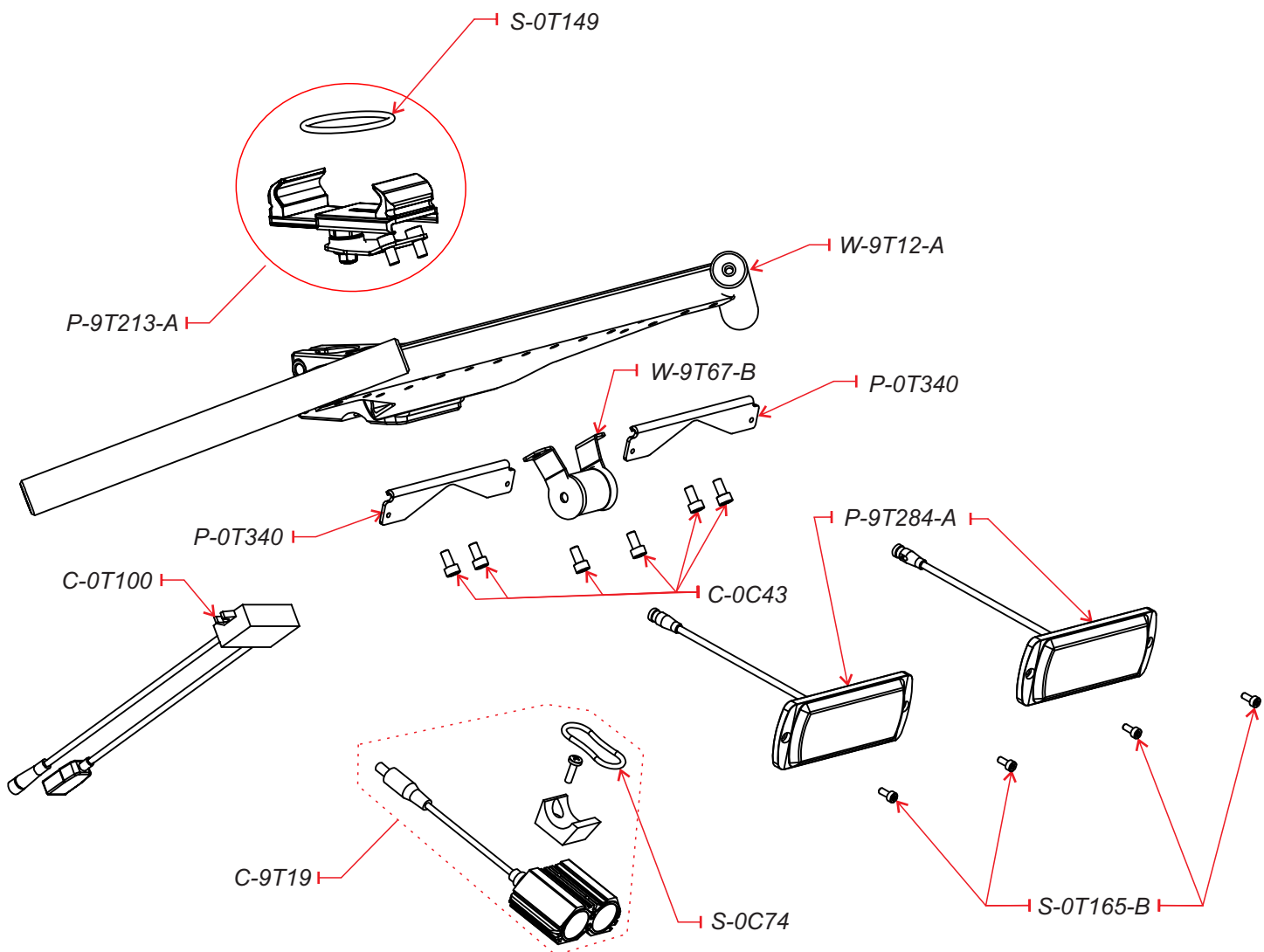


# HANDLEBAR COMPONENTS



PART #	PART NAME	SPEC	NOTE
S-0T69	DISPLAY, LCD RFID		48V and 60V
S-0T69-72	DISPLAY, LCD RFID		72V
S-0T69-A	DISPLAY, LCD NFC		XL 72V
P-0T254	BRACKET, DISPLAY		
P-0T487	BRACKET, DISPLAY X6		
S-0T27-A	BOLT, M6 x 12 x 10 (DIN 912)		
S-0C20	SCREW (4X15X7)		
S-0T165-C	BOLT, M3 x 7 x 5.5 (DIN 912)		
W-9T12-A	HANDLEBAR WELDED		
P-0273	WASHER, Ø11 x Ø8.2 x 1.2		
S-0201-B	BOLT, M8 x 25 x 11		
S-0T62-C	SWITCH, 2 BUTTON		
S-0T62-B	SWITCH, 4 BUTTON		
C-0T16	THROTTLE		
C-0T117	BELL		
C-9T16-A	HANDGRIP SET, PAIR		
C-9T86	CLAMP SET, HANDGRIP		with bolt and washer
P-0T297-B	PLUG, HANDLEBAR END		
S-0T96	BOLT, M6 x 16 x 10		
P-0T249-B	PROTECTOR, HANDLEBAR		
P-0T347	FLANGED BUSHING, FOAM PROTECTOR		
C-0C05	BOLT, M5 x 15 x 8.5		

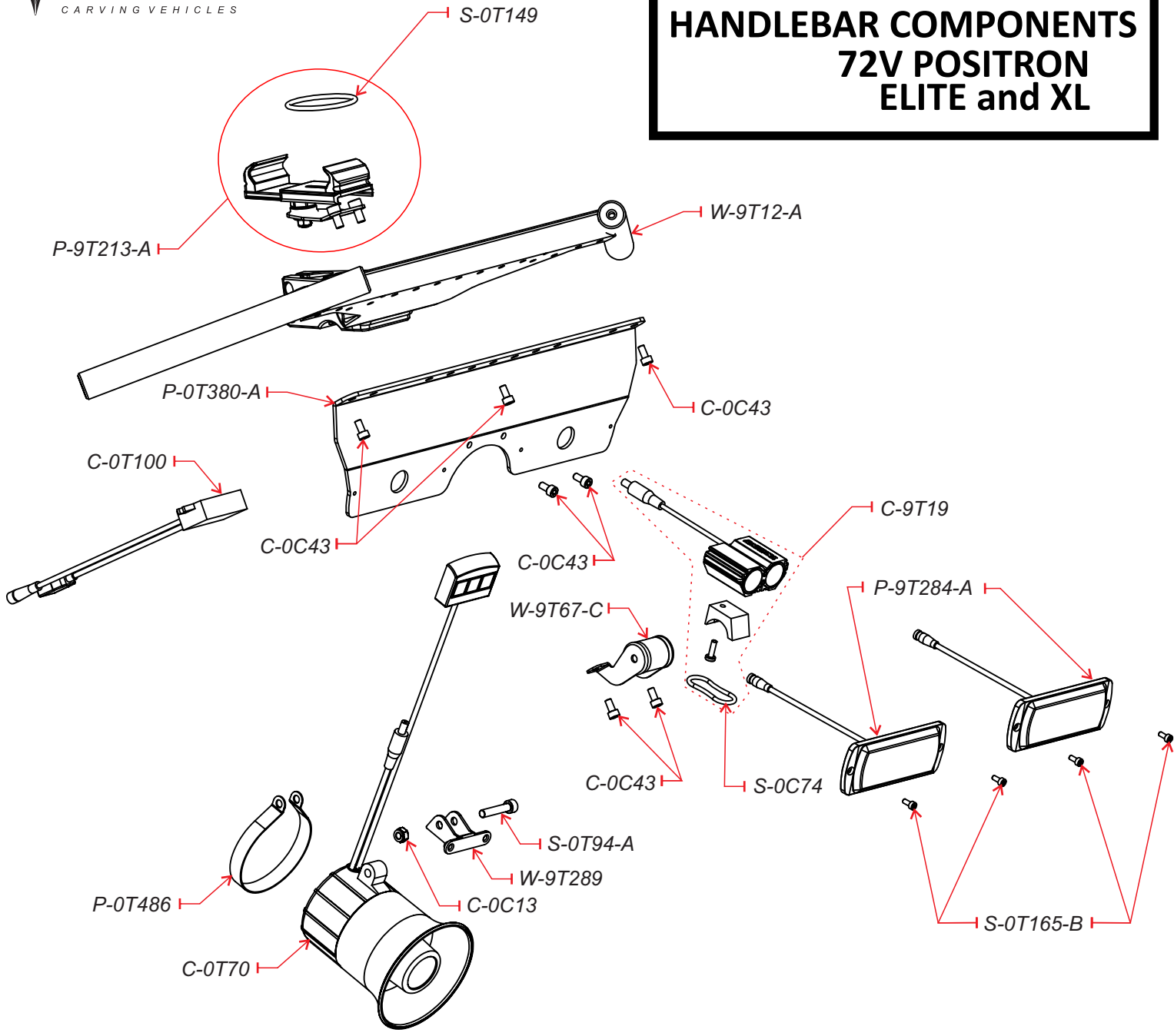
# HANDLEBAR COMPONENTS 60V POSITRON



PART #	PART NAME	SPEC	NOTE
C-9T19	LED HEADLIGHT with cradle		
S-0C74	RING, HEADLIGHT rubber		
W-9T67-B	BRACKET, SPOTLIGHT		
P-0T340	BRACKET, EMG LIGHT TOP		
C-0C43	BOLT M5 x 10 x 8.5 (DIN 912)		
P-9T284-A	EMERGENCY LIGHT		Wire = 150mm
S-0T165-B	BOLT, M3.5 x 5 (DIN 912)		
P-9T213-A	PHONE HOLDER		
S-0T149	O'RING Ø2" x 1/8"		
W-9T12-A	HANDLEBAR WELDED		
C-0T100	USB CONVERTER, DC-DC		

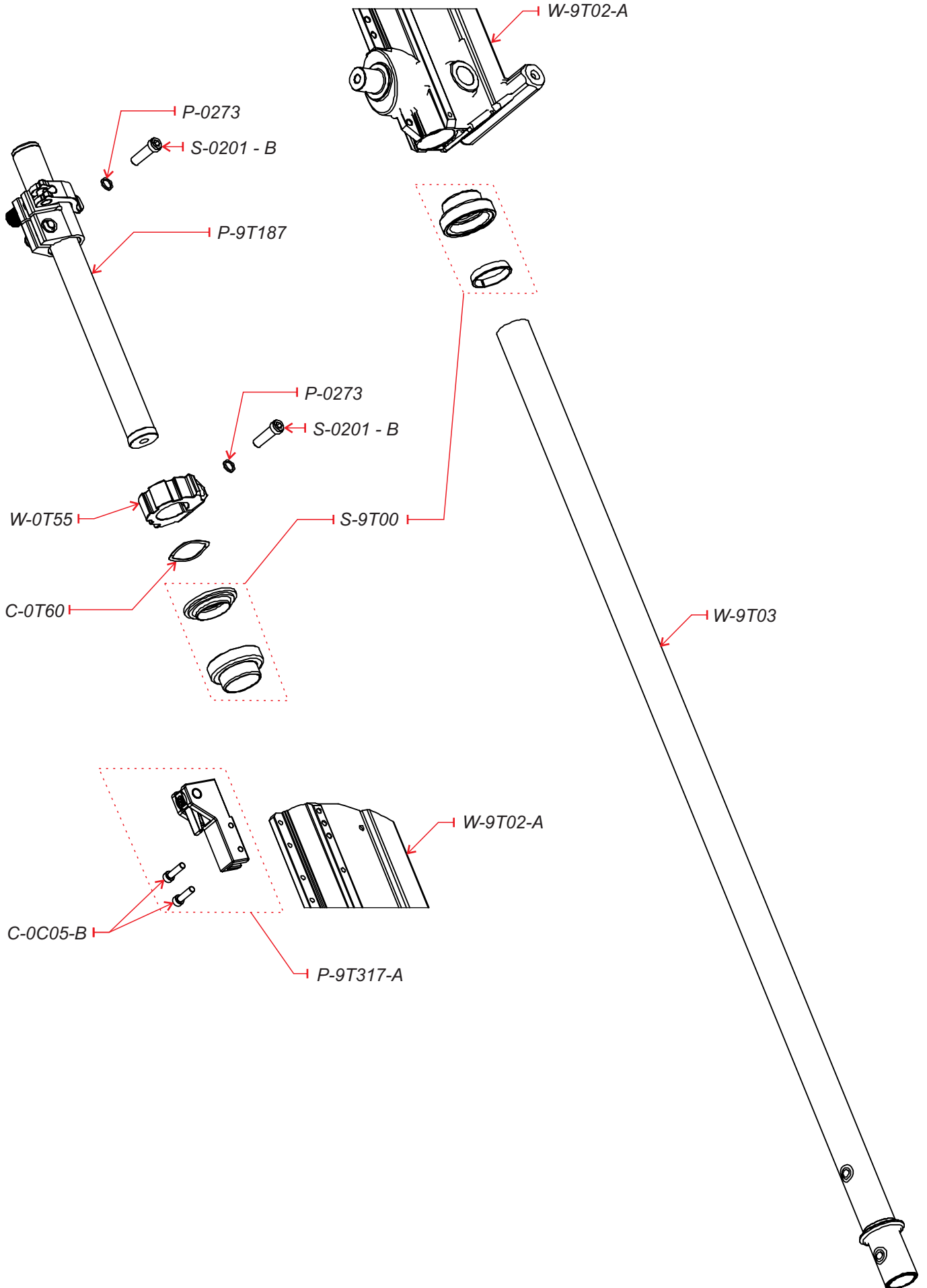


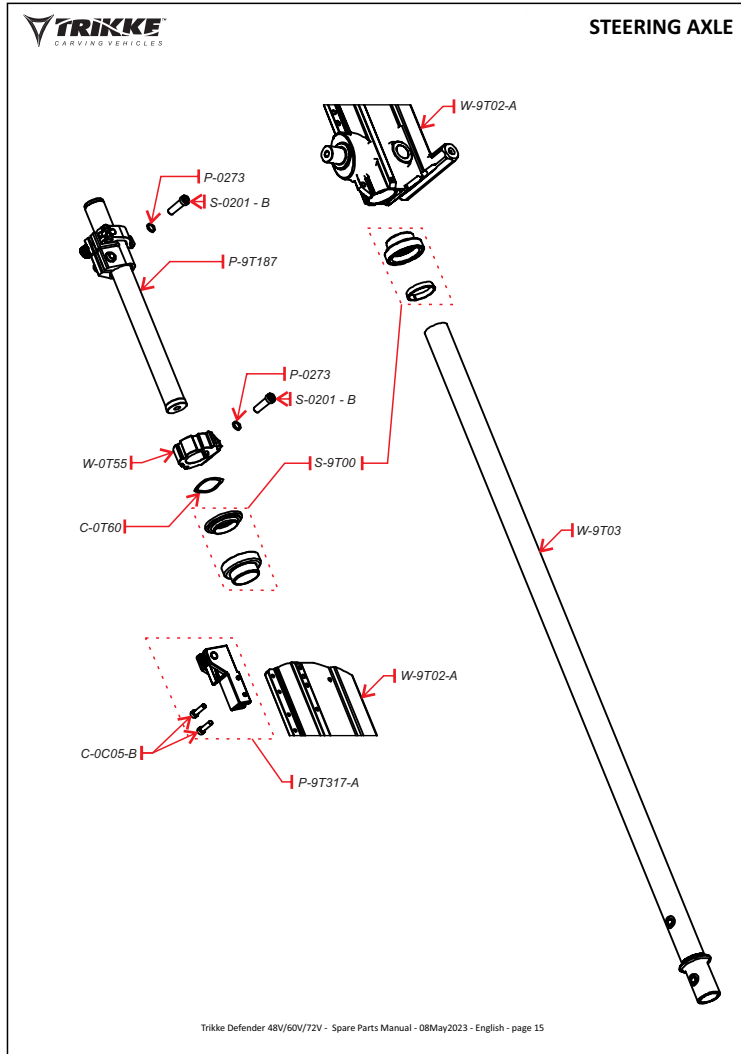
# HANDLEBAR COMPONENTS 72V POSITRON ELITE and XL



PART #	PART NAME	SPEC	NOTE
C-9T19	LED HEADLIGHT with cradle		
S-0C74	RING, HEADLIGHT rubber		
W-9T67-C	BRACKET, SPOTLIGHT		
W-9T289	BRACKET, BIG SIREN		
C-0C43	BOLT M5 x 10 x 8.5 (DIN 912)		
P-9T284-A	EMERGENCY LIGHT		Wire = 150mm
S-0T165-B	BOLT, M3.5 x 5 (DIN 912)		
P-9T213-A	PHONE HOLDER		
S-0T149	O'RING Ø2" x 1/8"		
W-9T12-A	HANDLEBAR WELDED		
C-0T100	USB CONVERTER, DC-DC		
C-0T70	BIG SIREN		
P-0T486	CLAMP, SIREN BODY		
S-0T94-A	BOLT, M6 x 30 x 10 (DIN 912)		
C-0C13	NUT, M6 NYLOCK (DIN 985)		
P-0T380-A	BOARD, HANDLEBAR		

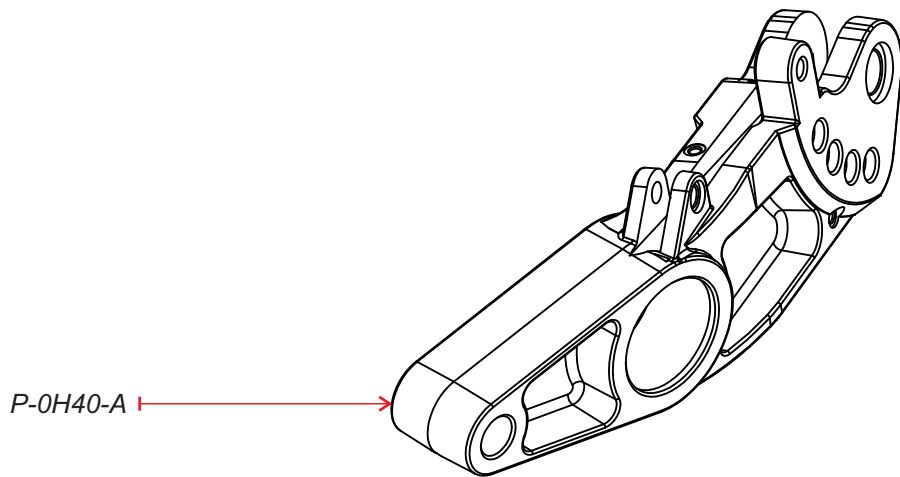
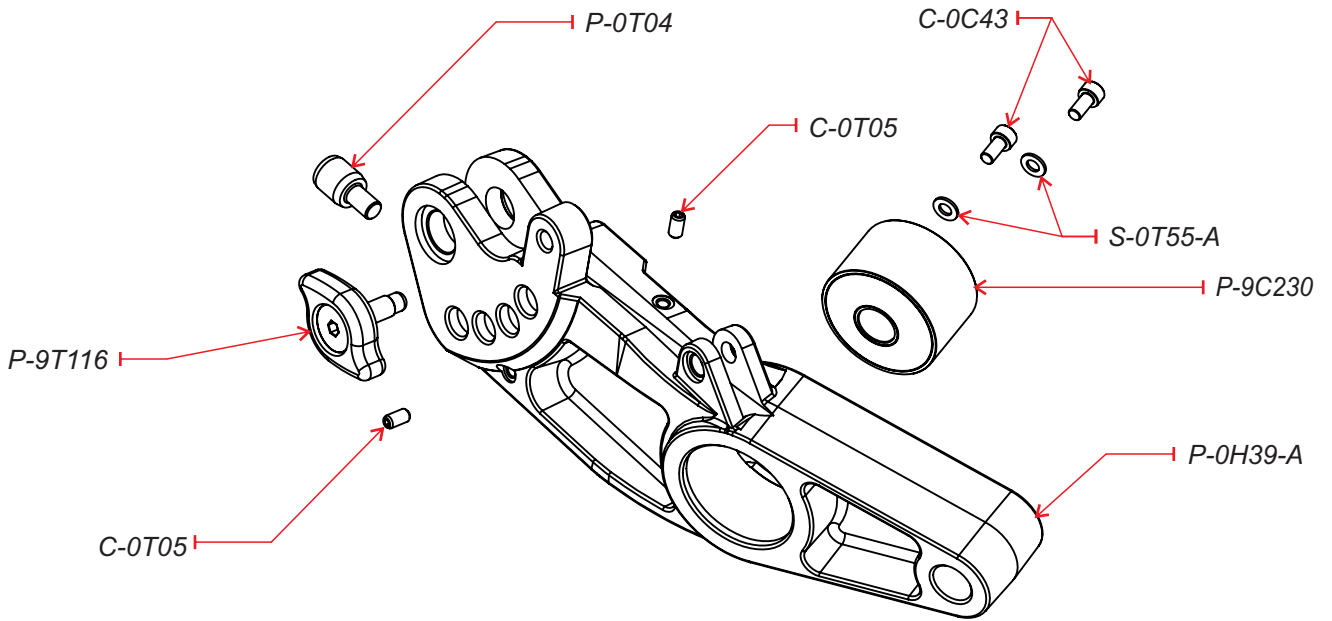
**STEERING AXLE**





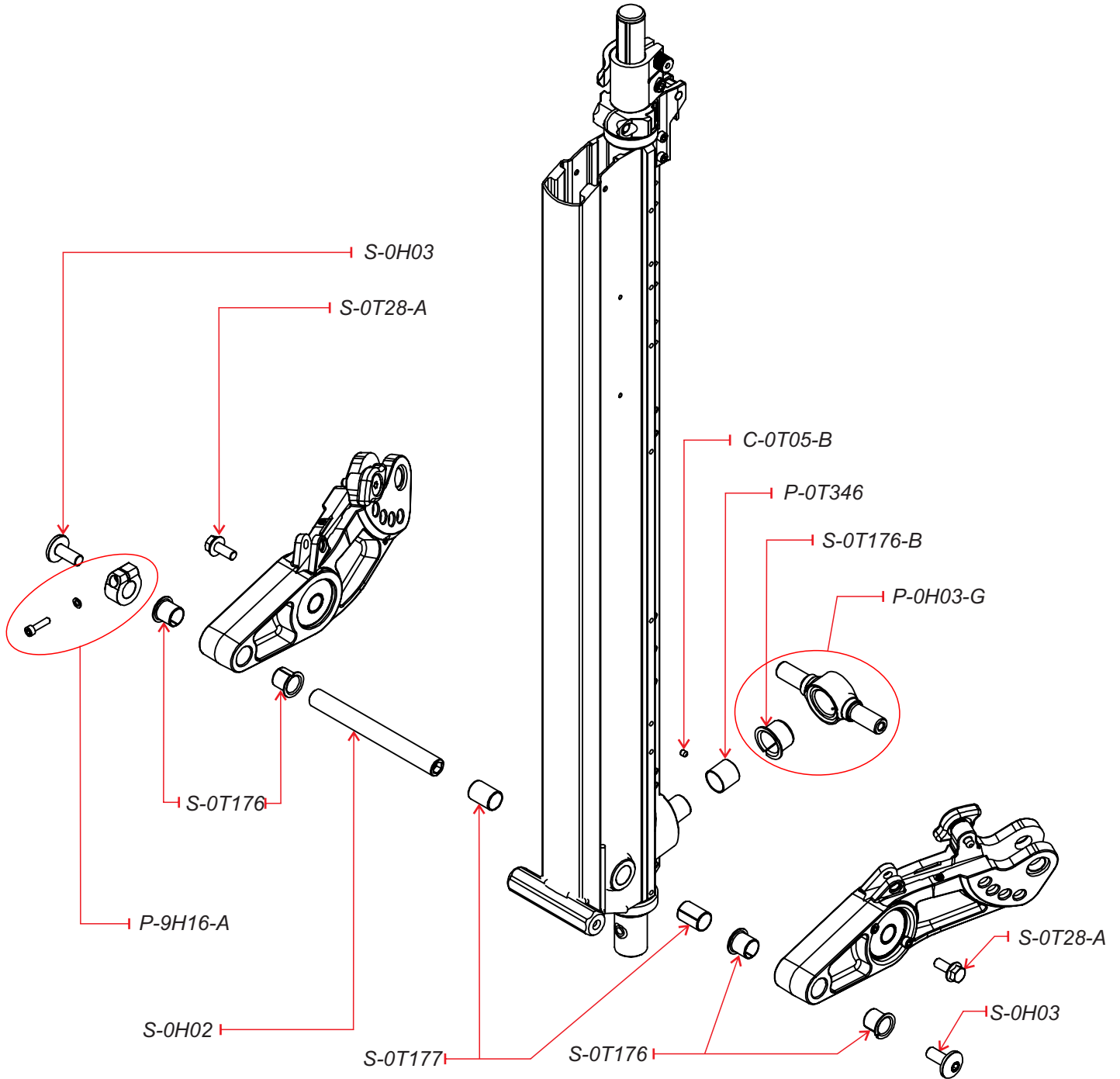
PART #	PART NAME	SPEC	NOTE
P-9T187	HHA ASSY		
W-0T55	COLAR, STEERING		
P-0273	WASHER, Ø11 x Ø8.2 x 1.2		
S-0201-B	BOLT, M8 x 25 x 10.9		
C-0T60	WAVE DISC SPRING		
S-9T00	HEADSET, THREADLESS 1 1/8"		
W-9T02-A	FRONT STRUCTURE WELDED		
W-9T03	STEERING AXLE THREADLESS		
P-9T317-A	STEERING LOCK ASSY		2021
C-0C05-B	BOLT, M5 x 20 x 8.5 (DIN 912)		2021

# ARM EXTENSION



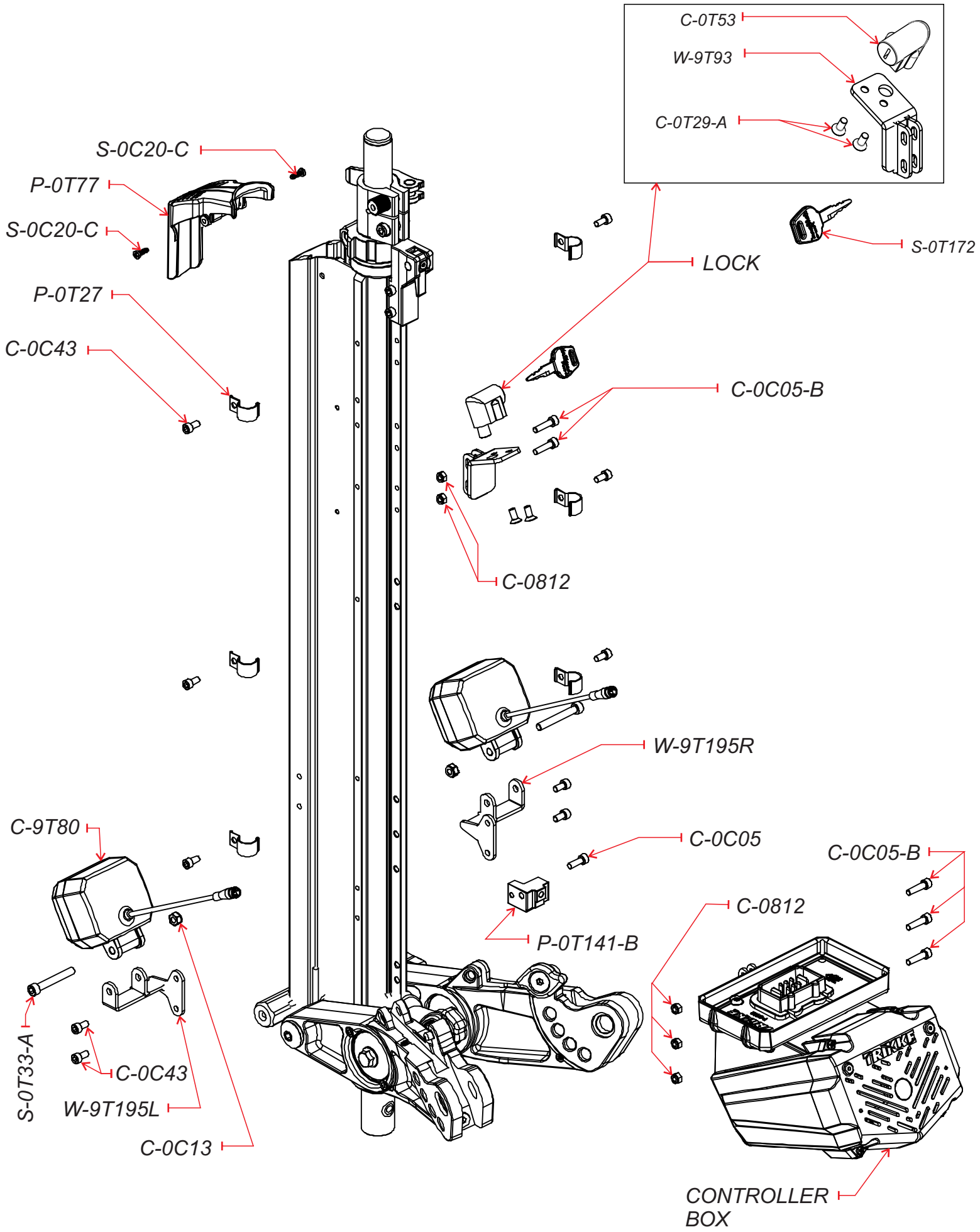
PART #	PART NAME	SPEC	NOTE
P-0H39-A	ARM EXTENSION, LH		
P-0H40-A	ARM EXTENSION, RH		
P-9C230	PU BUSHING		
P-9T116	KNOB, FOLDING BOLT (M8x1)		
P-0T04	ADJUSTER, FOLDING STOPPER		
C-0T05	BOLT, M5 x 10 (DIN 916)		
C-0C43	BOLT, M5 x 10 (DIN 912)		2021
S-0T55-A	WASHER, Ø10 x Ø5.3 x 1 (DIN 125 A)		2021

# CAMBERING MECHANISM



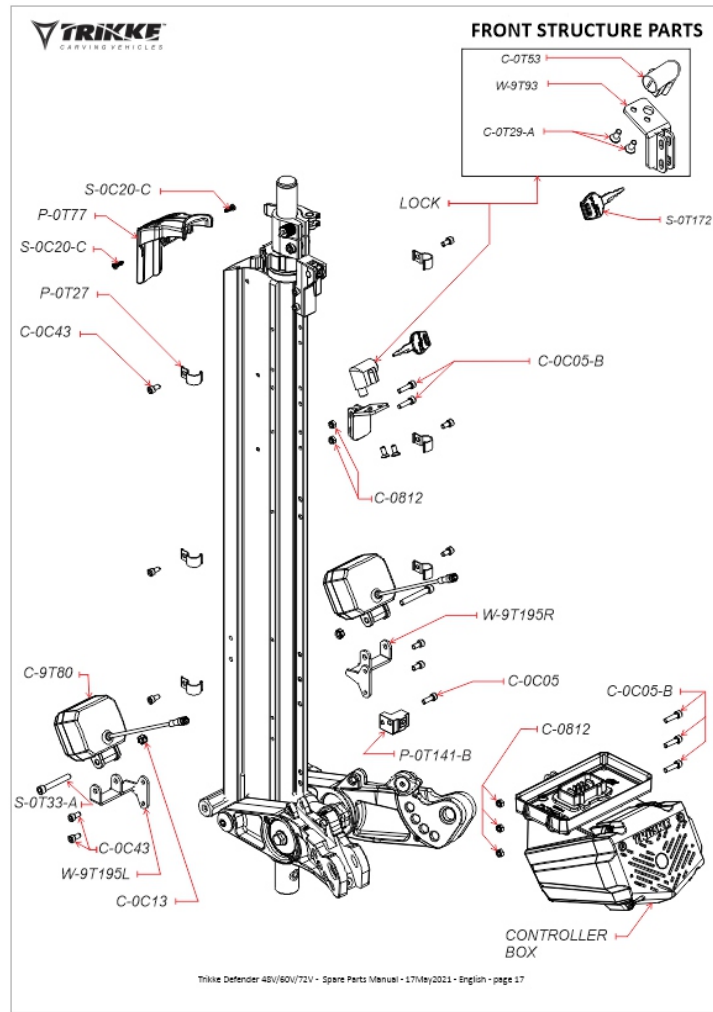
PART #	PART NAME	SPEC	NOTE
P-0H03-G	YOKE		with bushing
S-0T176-B	BUSHING, YOKE FLANGED		
P-0T346	SLEEVE, YOKE PIN		
C-0T05-B	BOLT, M5 x 6 (DIN 916)		
S-0T28-A	FLANGE BOLT, M8 x 20 x 18 (DIN 6921)		
S-0H03	BOLT, MAIN AXLE (M10x25x25)		
S-0T176	BUSHING, MAIN AXLE FLANGED		
S-0T177	BUSHING, MAIN AXLE CENTER		
S-0H02	AXLE MAIN		
P-9H16-A	CLAMP, MAIN AXLE		

# FRONT STRUCTURE PARTS



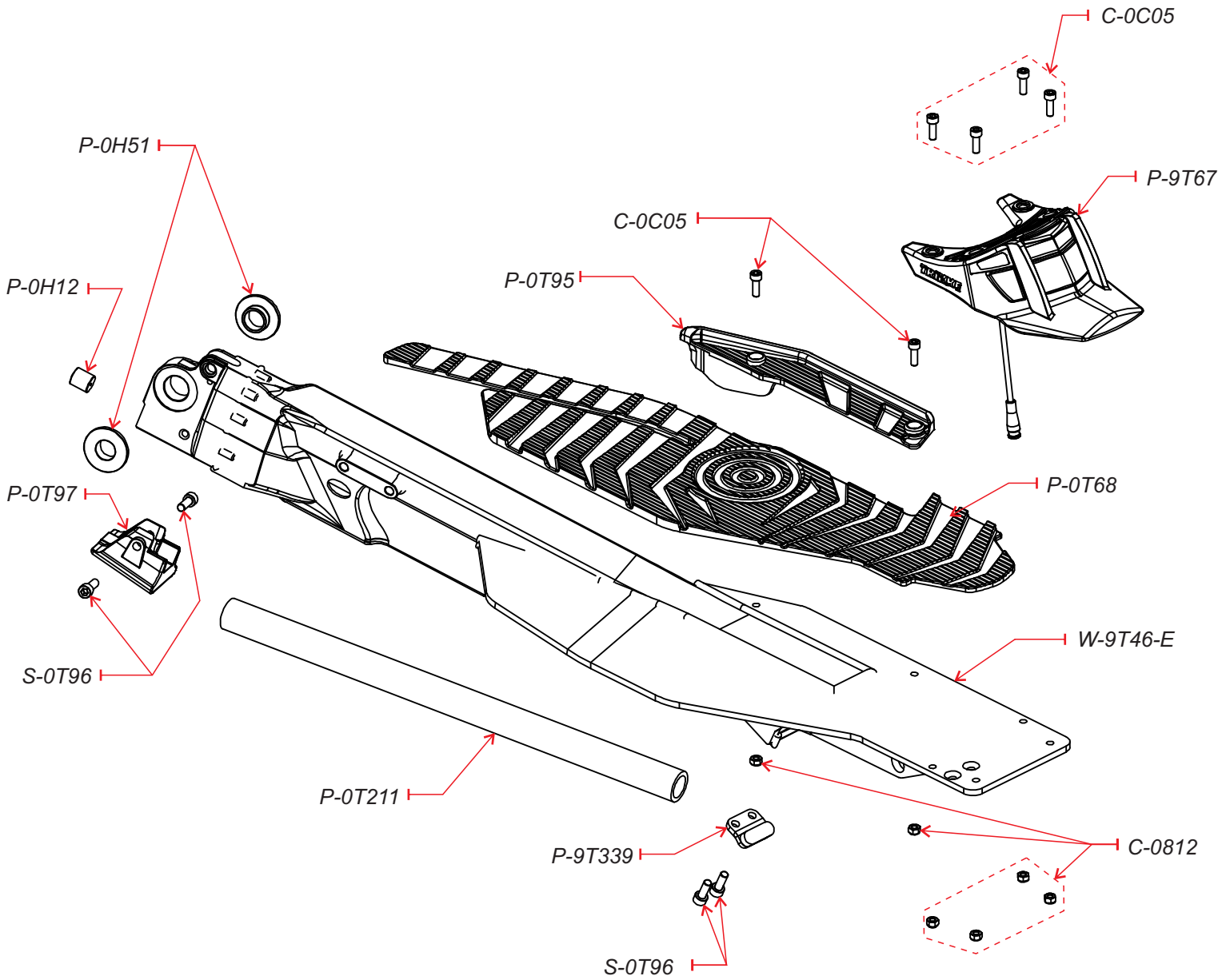


# FRONT STRUCTURE PARTS



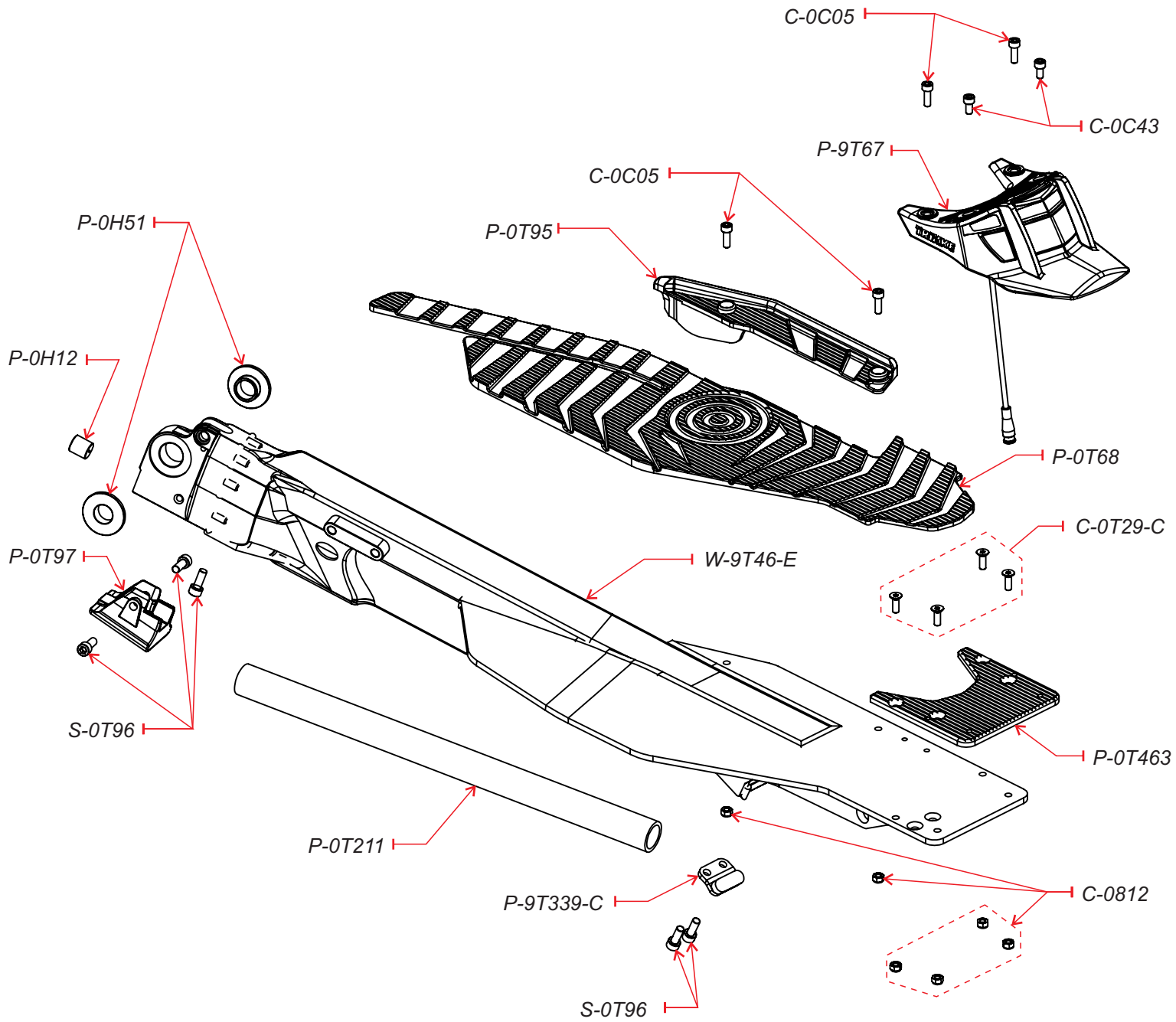
PART #	PART NAME	SPEC	NOTE
C-0T53	LOCK, BATTERY (with 2 keys)		
W-9T93	BRACKET, BATTERY LOCK		
C-0T29-A	BOLT, M5 x 12 x 10 (DIN 7991)		
S-0T172	KEY, LOCK BATTERY		
P-0T27	BRACKET, CABLES		
C-0C43	BOLT, M5 x 10 x 8.5 (DIN 912)		
C-0C05	BOLT, M5 x 15 x 8.5 (DIN 912)		
C-0C05-B	BOLT, M5 x 20 x 8.5 (DIN 912)		
S-0T33-A	BOLT, M6 x 45 x 10 (DIN 912)		
C-0C13	NUT, M6 NYLOCK (DIN 985)		
C-0812	NUT, M5 NYLOCK (DIN 985)		
P-0T141-B	FITTING BLOCK, 3-WAY BRAKE		
S-0C20-C	SCREW, 4 x 12 x 7		
P-0T77	CAP, FRONT STRUCTURE		
C-9T80	HEADLIGHT, SQUARE		
W-9T155R	BRACKET, SQUARE HEADLIGHT RH		
W-9T155L	BRACKET, SQUARE HEADLIGHT LH		

# ARM RH



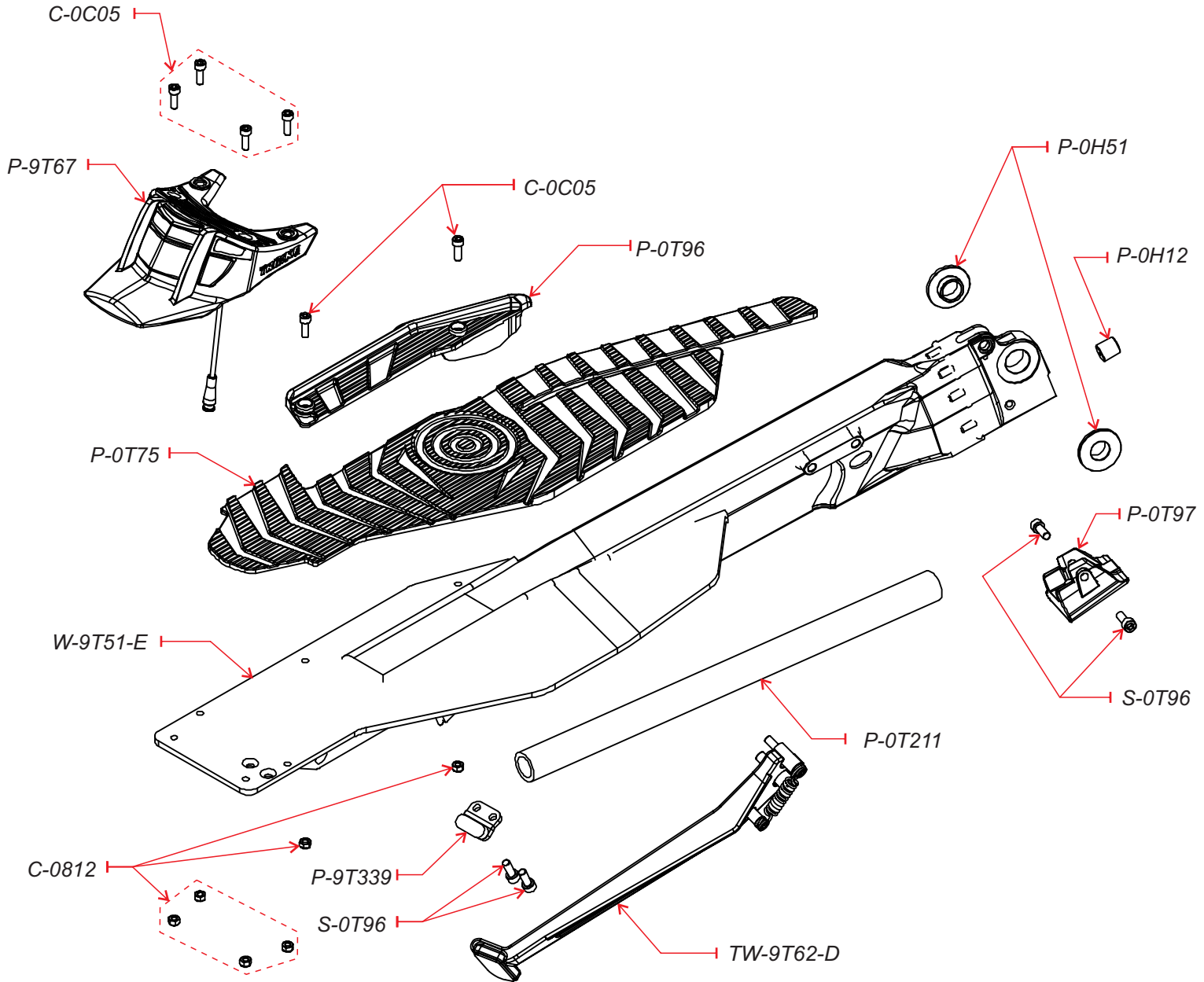
PART #	PART NAME	SPEC	NOTE
C-0C05	BOLT M5 x 15 x 8.5 (DIN 912)		
P-9T67	FENDER, REAR ASSY (with light and reflectors)		2018 or 2021
P-0T95	BUMPER, DECK RH		
P-0T68	GRIP MAT RH		
C-0812	NUT, M5 NYLOCK (DIN 985)		
W-9T46-E	ARM BASIC, RH		
P-0T211	CUSHION, ARM CABLES		
S-0T96	BOLT, M6 x 16 x 10 (DIN 912)		
P-0T97	BUMPER, ARM		
P-0H12	STOPPER, ARM EXTENSION		
P-0H51	HINGE BUSHING, FOLDING MAIN		
P-9T339	STOPPER, SWING ARM		

# ARM RH XL



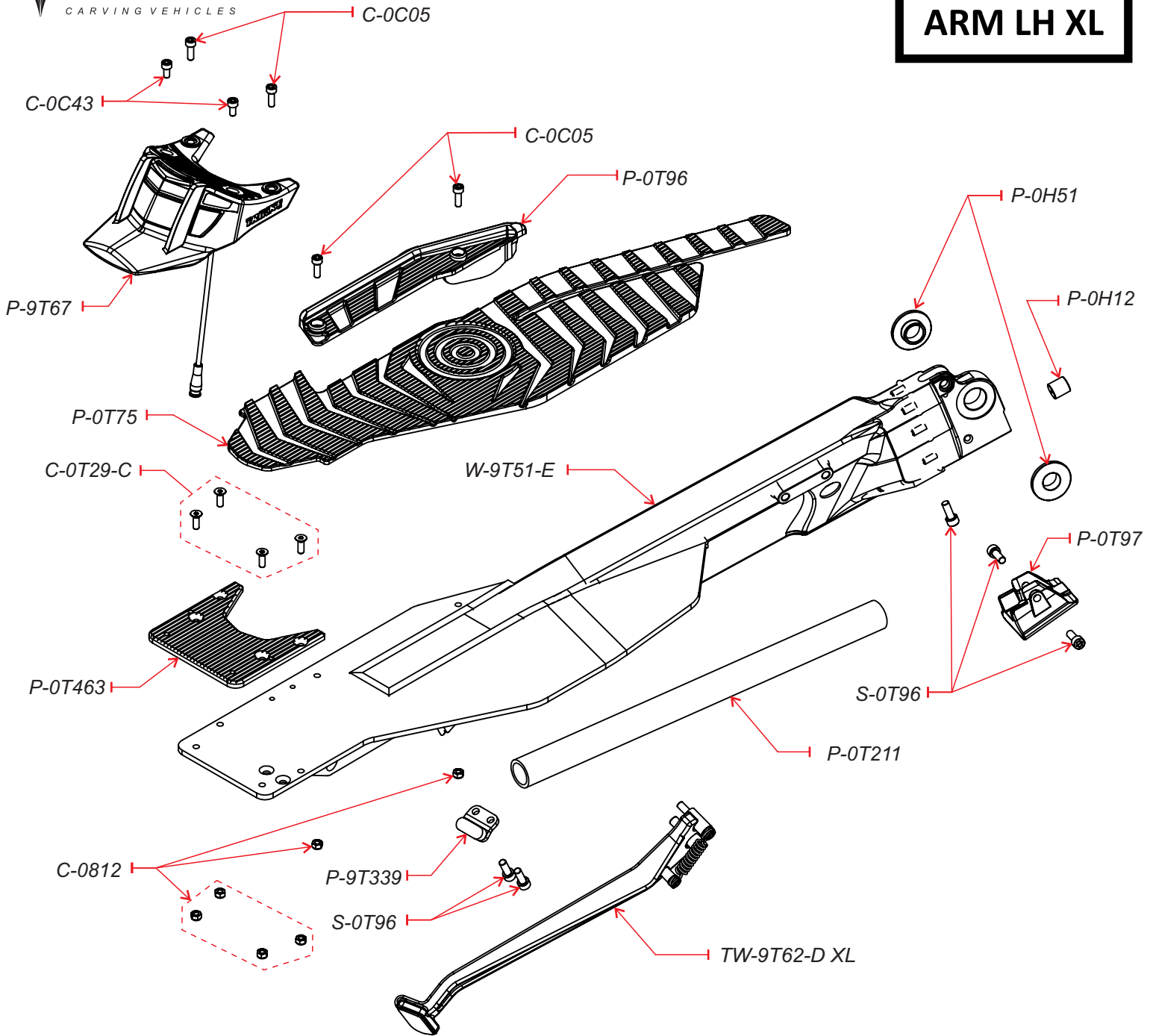
PART #	PART NAME	SPEC	NOTE
C-0C05	BOLT M5 x 15 x 8.5 (DIN 912)		
C-0C43	BOLT M5 x 10 x 8.5 (DIN 912)		
P-9T67	FENDER, REAR ASSY (with light and reflectors)		
P-0T95	BUMPER, DECK RH		
P-0T68	GRIP MAT RH		
C-0T29-C	BOLT, M5 x 15 x 10 (DIN 7991)		
P-0T463	EXTENSION DECK, ARM		
C-0812	NUT, M5 NYLOCK (DIN 985)		
W-9T46-E	ARM BASIC, RH		
P-0T211	CUSHION, ARM CABLES		
S-0T96	BOLT, M6 x 16 x 10 (DIN 912)		
P-0T97	BUMPER, ARM		
P-0H12	STOPPER, ARM EXTENSION		
P-0H51	HINGE BUSHING, FOLDING MAIN		
P-9T339-C	STOPPER, SWING ARM		

# ARM LH



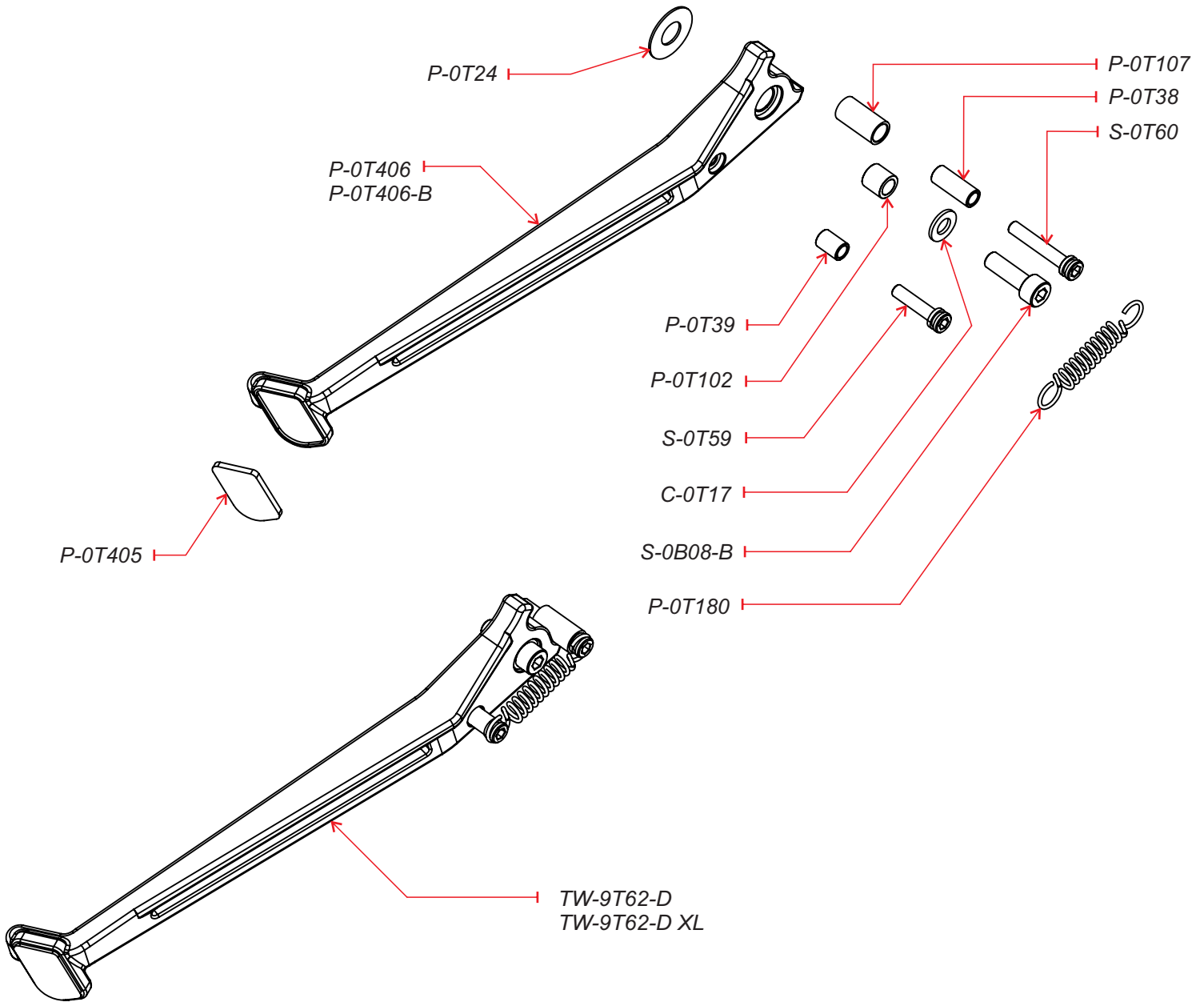
PART #	PART NAME	SPEC	NOTE
C-0C05	BOLT M5 x 15 x 8.5 (DIN 912)		
P-9T67	FENDER, REAR ASSY (with light and reflectors)		2018 or 2021
P-0T96	BUMPER, DECK LH		
P-0T75	GRIP MAT LH		
C-0812	NUT, M5 NYLOCK (DIN 985)		
W-9T51-E	ARM BASIC, LH		
P-0T211	CUSHION, ARM CABLES		
S-0T96	BOLT, M6 x 16 x 10 (DIN 912)		
P-0T97	BUMPER, ARM		
P-0H12	STOPPER, ARM EXTENSION		
P-0H51	HINGE BUSHING, FOLDING MAIN		
P-9T339	STOPPER, SWING ARM		
TW-9T62-D	KICKSTAND ASSY		

# ARM LH XL



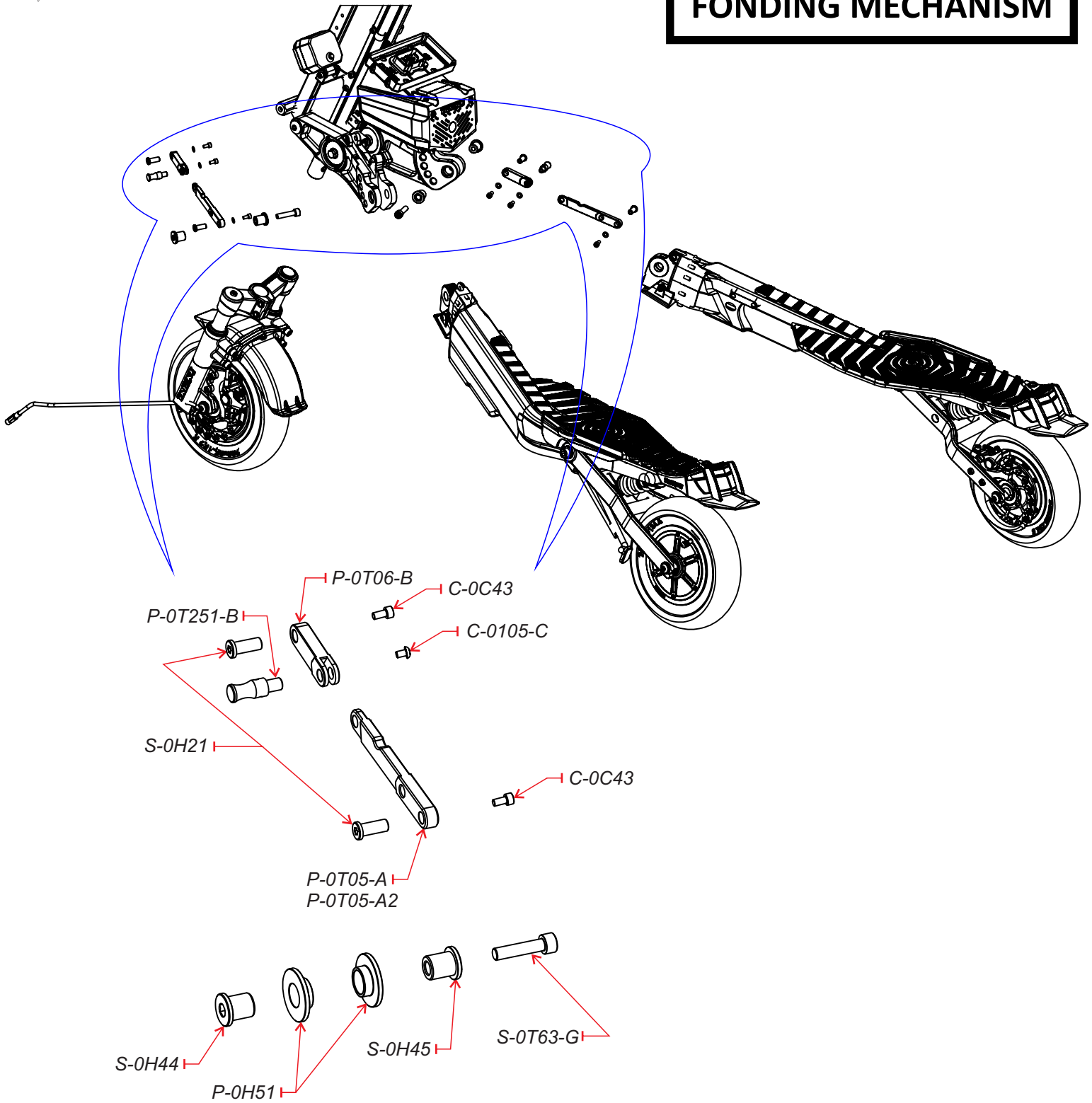
PART #	PART NAME	SPEC	NOTE
C-0C05	BOLT M5 x 15 x 8.5 (DIN 912)		
C-0C43	BOLT M5 x 10 x 8.5 (DIN 912)		
P-9T67	FENDER, REAR ASSY (with light and reflectors)		
P-0T96	BUMPER, DECK LH		
P-0T75	GRIP MAT LH		
C-0T29-C	BOLT, M5 x 15 x 10 (DIN 7991)		
P-0T463	EXTENSION DECK, ARM		
C-0812	NUT, M5 NYLOCK (DIN 985)		
W-9T51-E	ARM BASIC, LH		
P-0T211	CUSHION, ARM CABLES		
S-0T96	BOLT, M6 x 16 x 10 (DIN 912)		
P-0T97	BUMPER, ARM		
P-0H12	STOPPER, ARM EXTENSION		
P-0H51	HINGE BUSHING, FOLDING MAIN		
P-9T339	STOPPER, SWING ARM		
TW-9T62-D XL	KICKSTAND XL ASSY		

# KICKSTAND



PART #	PART NAME	SPEC	NOTE
TW-9T62-D	KICK STAND ASSY		
TW-9T62-D XL	KICKSTAND XL ASSY		
P-0T24	PLASTIC WASHER, Ø27 x Ø12.2 x 1		
P-0T406	KICKSTAND		2018 or 2021
P-0T406-B	KICKSTAND, T8HD XL		
P-0T107	COVER, KS STOPPER		
P-0T38	SPACER 1, KICKSTAND		
S-0T60	BOLT, M6 x 35 x 10		
P-0T102	BUSHING, KICKSTAND		
C-0T17	WASHER 16 x 8.4 x 1.6 (DIN 125 A)		
S-0B08-B	BOLT, M8 x 25 x 13 (DIN 912)		
P-0T180	SPRING, KICKSTAND		
P-0T39	SPACER 2, KICKSTAND		
S-0T59	BOLT, M6 x 25 x 10		
P-0T405	RUBBER FOOT, KICKSTAND		2021

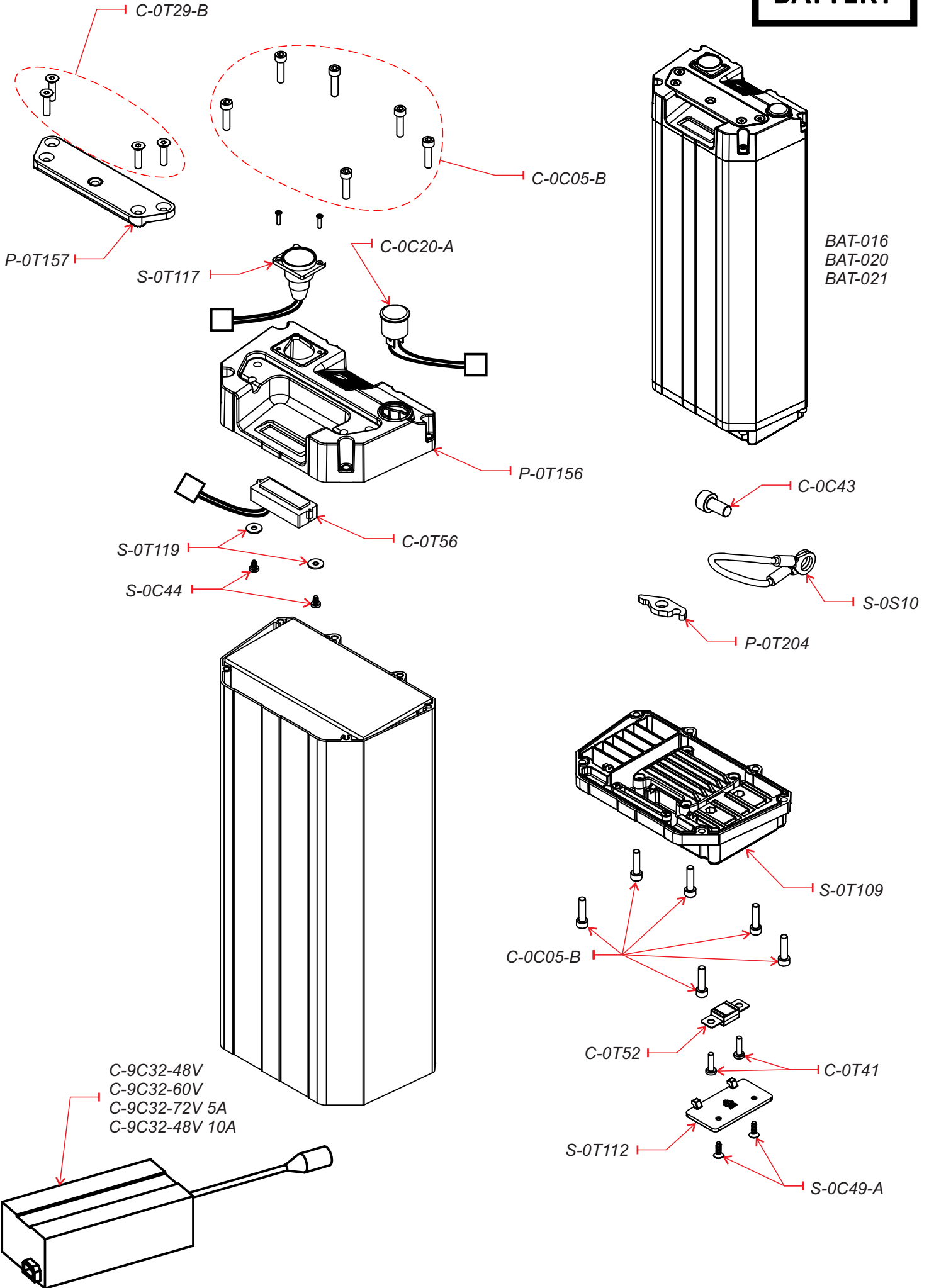
# FONDING MECHANISM



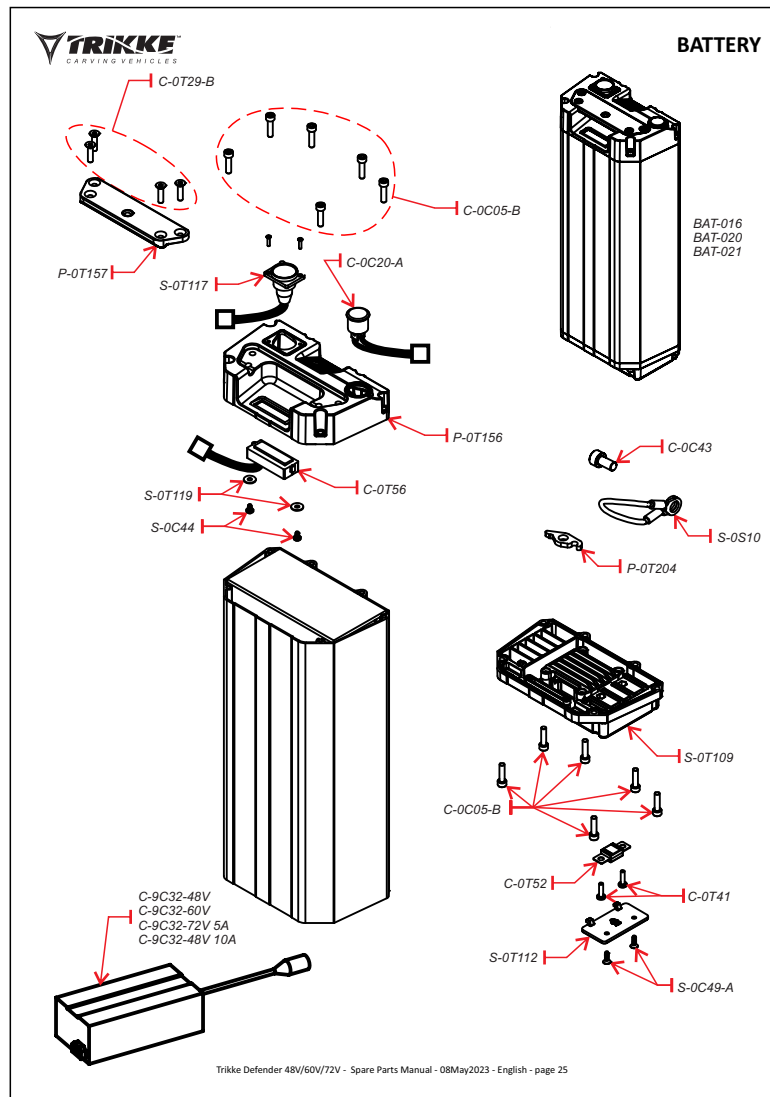
PART #	PART NAME	SPEC	NOTE
C-0C43	BOLT, M5 x 10 x 8.5 (DIN 912)		
C-0105-C	BOLT, M5 x 8 x 9.5 (DIN 7380)		
S-0H21	BUTTON AXLE, M5 x Ø11.8 x 22.2		
P-0T251-B	KNOB, FOLDING		
P-0T05-A	PART A, FOLDING ARM		
P-0T05-A2	PART A, FOLDING ARM		after serial #000720
P-0T06-B	PART B, FOLDING ARM		
P-0H51	HINGE BUSHING, FOLDING MAIN		
S-0H44	HINGE AXLE A, FOLDING ARM		
S-0H45	HINGE AXLE B, FOLDING ARM		
S-0T63-G	BOLT, M8 x 35 x 13		



**BATTERY**





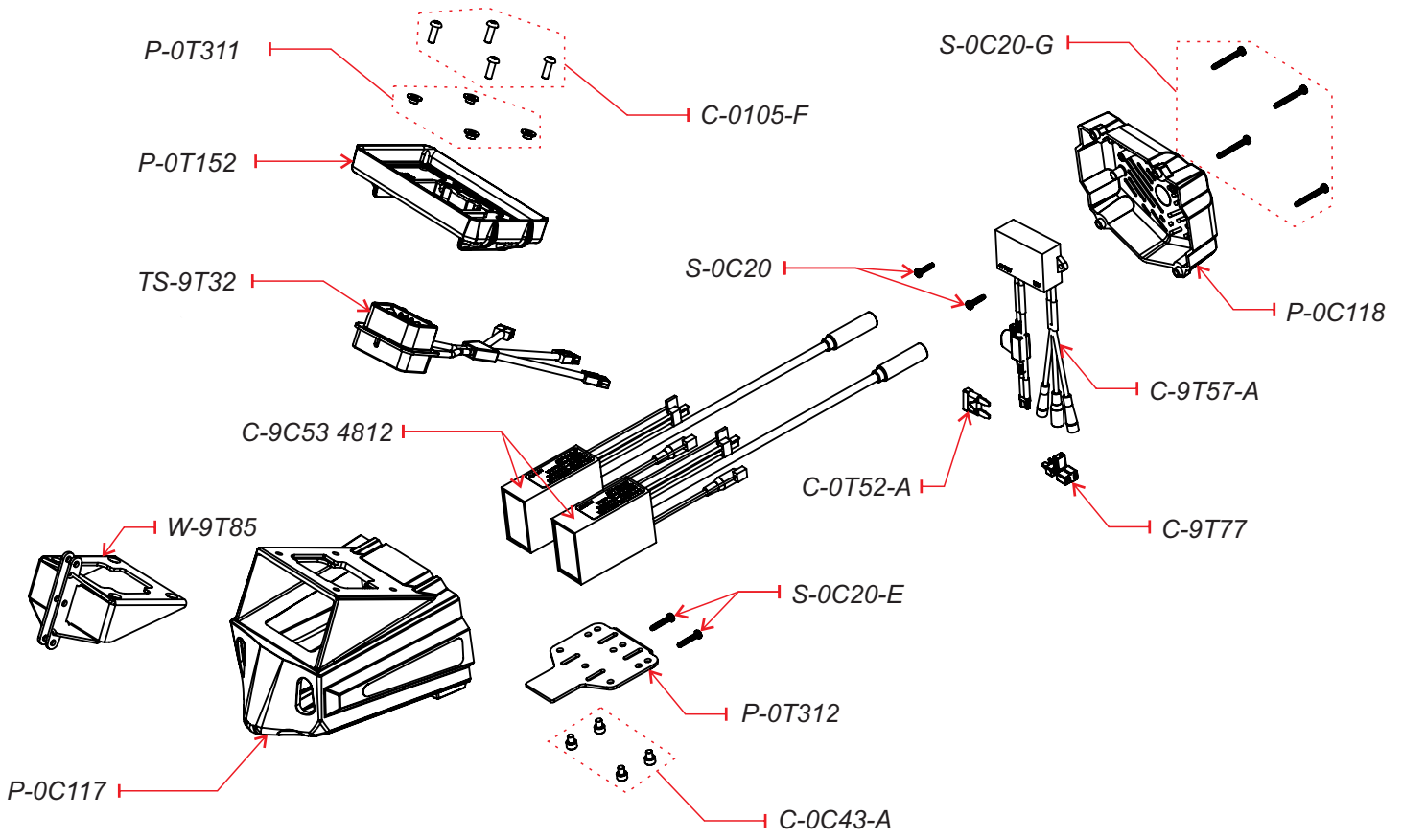
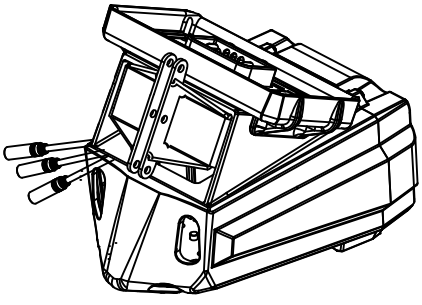


BATTERY

PART #	PART NAME	SPEC	NOTE
BAT-016	BATTERY 48V Li-ion	13S7P - 48V 15.75Ah 1176Wh	
BAT-020	BATTERY 60V Li-ion	16S7P - 60V 15.75Ah 1470Wh	
BAT-021	BATTERY 72V Li-ion	20S7P - 72V 24.5Ah 1764Wh	
C-0T29-B	BOLT, M5 x 20 x 10 (DIN 7991)		
P-0T157	HANDLE, BATTERY		with insert M7x1
C-0C43	BOLT, M5 x 10 x 8.5 (DIN 912)		
P-0T204	HOOK, BATTERY SAFETY CABLE		
S-0S10	SAFETY CABLE, BATTERY	L=70mm	
C-0C05-B	BOLT M5 x 20 x 8.5 (DIN 912)		
S-0T117	CHARGING PORT, BATTERY		
C-0C20-A	SWITCH, ON-OFF		
P-0T156	COVER, BATTERY TOP		
C-0T56	SOC DISPLAY		
S-0T119	WASHER, Ø12 x Ø4.3 x 1 (DIN 9021)		
S-0C44	SCREW, 4X6X7 (ISO 7049)		
S-0T109	COVER, BATTERY BOTTOM		
C-0T52	FUSE 80A 48V/60V		125A for 72V
C-0T41	BOLT, M4 x 15 x 8 (DIN 7985)		
S-0T112	CAP, FUSE		
S-0C49-A	SCREW, 4 x 12 x 7.5 (ISO 7051)		
C-9C32-48V	CHARGER, BATTERY LI ION 48V 5A	48V 5A 100V-240V	
C-9C32-60V	CHARGER, BATTERY LI ION 60V 5A	60V 5A 100V-240V	
C-9C32-72V 5A	CHARGER, BATTERY LI ION 72V 5A	72V 5A 100V-240V	
C-9C32-72V 10A	CHARGER, BATTERY LI ION 72V 10A	72V 10A 100V-240V	

# BATTERY TRAY and CONTROLLER BOX

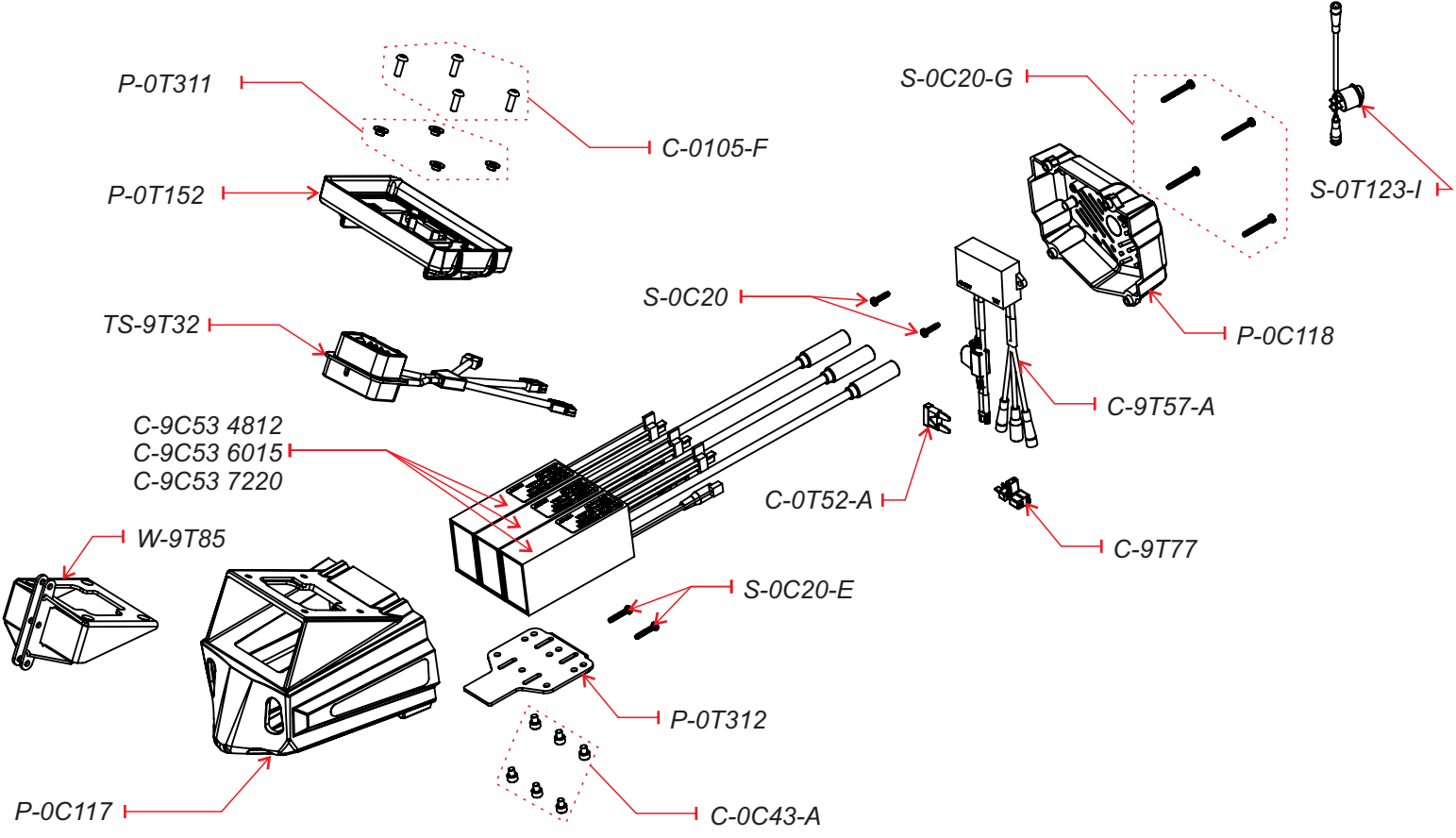
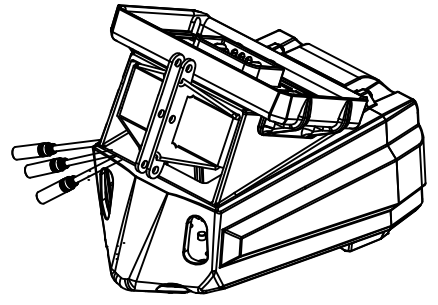
## DEFENDER 48V 2WD



PART #	PART NAME	SPEC	NOTE
C-9C53 4812	CONTROLLER 48V 12A		especific serial # new model from Apr2022 serial #000442
C-0105-F	BOLT, M5 x 15 x 9.5 (ISO 7380)		
P-0T311	BUSHING, TRAY		
P-0T152	TRAY, BATTERY		
TS-9T32	POWER CONNECTOR MALE, BATTERY		no 12V
S-0C20-G	SCREW, 4 x 30 x 7		
P-0C117	BOX, CONTROLLER		
P-0C118	PAN, CONTROLLER BOX		
W-9T85	SCISSOR WELDED, FRONT STRUCTURE		
C-9T57-A	DC-DC CONVERTER	40-70V/12V 5A	3way
S-0C20	SCREW, 4 x 15 x 7		
S-0C20-E	SCREW, 4 x 20 x 7		
P-0T312	BRACKET, CONTROLLER MOUNT		
C-0C43-A	BOLT, M5 x 6 x 8.5 (DIN 912)		
C-9T77	T CONNECTOR ASSY		
C-0T52-A	BLADE FUSE 5A (mini/ATM)		

# BATTERY TRAY and CONTROLLER BOX

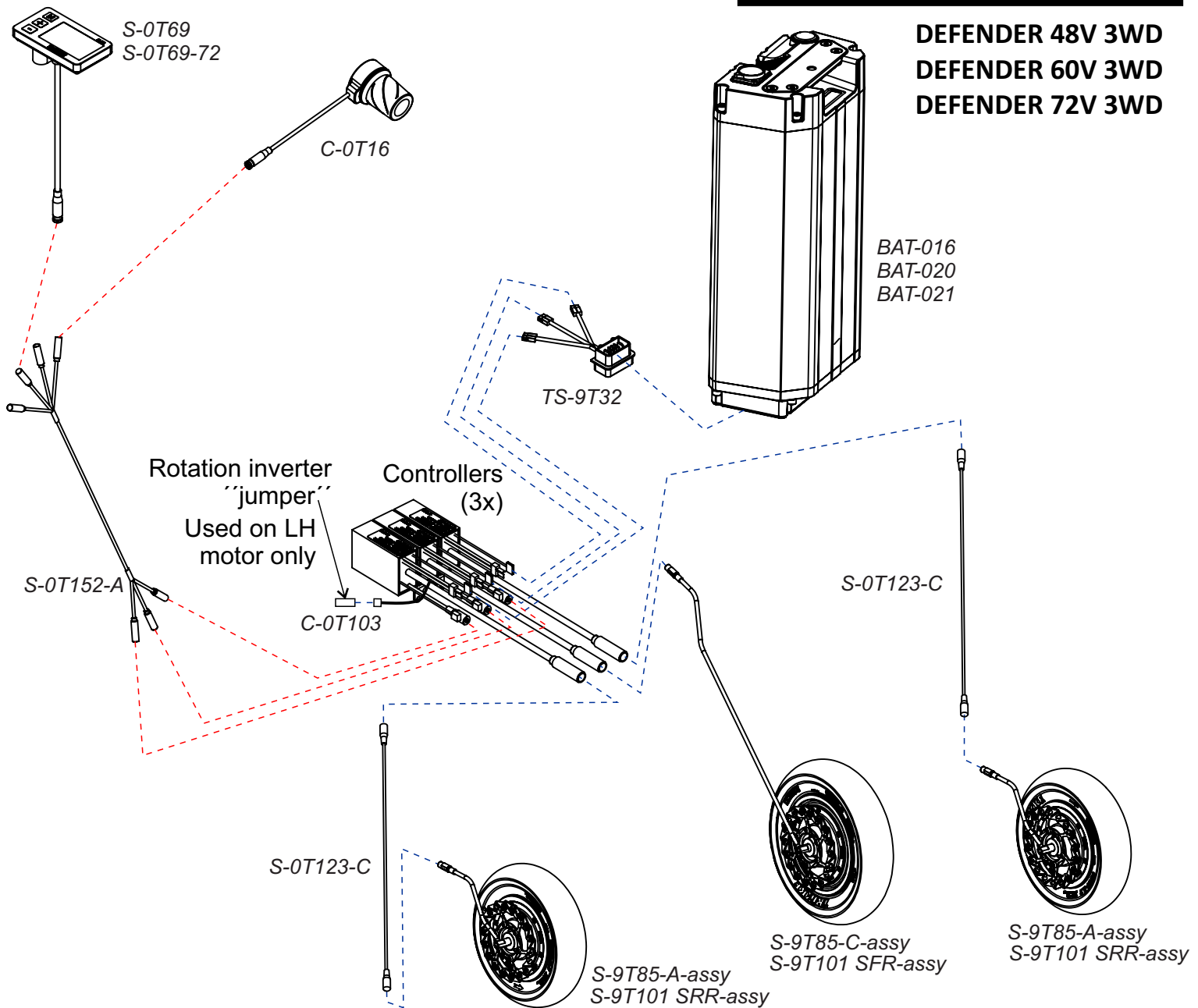
**DEFENDER 48V 3WD**  
**DEFENDER 60V 3WD**  
**DEFENDER 72V 3WD**



PART #	PART NAME	SPEC	NOTE
C-9C53 4812	CONTROLLER 48V 12A		especific serial # new model from Apr2022 serial #000442
C-9C53 6015	CONTROLLER 60V 15A		
C-9C53 7220	CONTROLLER 72V 20A		
C-0105-F	BOLT, M5 x 15 x 9.5 (ISO 7380)		
P-0T311	BUSHING, TRAY		
P-0T152	TRAY, BATTERY		
TS-9T32	POWER CONNECTOR MALE, BATTERY		no 12V
S-0C20-G	SCREW, 4 x 30 x 7		
P-0C117	BOX, CONTROLLER		
P-0C118	PAN, CONTROLLER BOX		
W-9T85	SCISSOR WELDED, FRONT STRUCTURE		
C-9T57-A	DC-DC CONVERTER	40-70V/12V 5A	3way
S-0C20	SCREW, 4 x 15 x 7		
S-0C20-E	SCREW, 4 x 20 x 7		
P-0T312	BRACKET, CONTROLLER MOUNT		
C-0C43-A	BOLT, M5 x 6 x 8.5 (DIN 912)		
C-9T77	T CONNECTOR ASSY		
C-0T52-A	BLADE FUSE 5A (mini/ATM)		
S-0T123-I	CABLE, SWITCH LIGHTS		

# POWER DRIVE SYSTEM

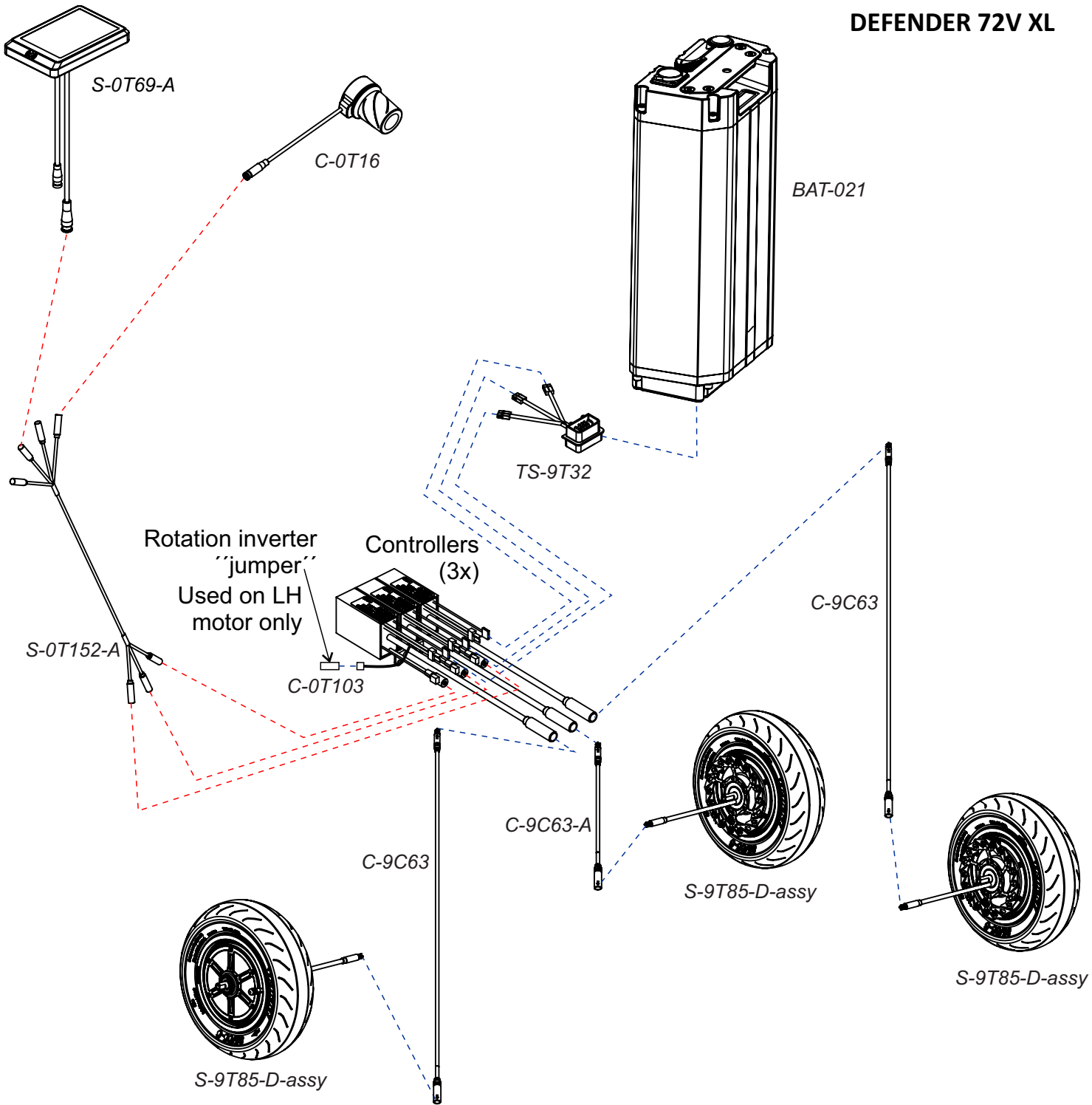
**DEFENDER 48V 3WD**  
**DEFENDER 60V 3WD**  
**DEFENDER 72V 3WD**



PART #	PART NAME	SPEC	NOTE
BAT-016	BATTERY 48V Li-ion	13S7P - 48V 15.75Ah 1176Wh	
BAT-020	BATTERY 60V Li-ion	16S7P - 60V 15.75Ah 1470Wh	
BAT-021	BATTERY 72V Li-ion	20S7P - 72V 24.5Ah 1764Wh	
S-0T69	DISPLAY, LCD RFID		48V and 60V
S-0T69-72	DISPLAY, LCD RFID		72V
C-0T16	THROTTLE		
TS-9T32	POWER CONNECTOR MALE, BATTERY		no 12V
S-0T152-A	CABLE EXTENSION, DISPLAY/CONTROLLER		
S-0T123-C	CABLE EXTENSION, MOTOR/CONTROLLER		
S-9T85-C-assy	MOTOR FRONT - full assy		with tire, tube, brake rotor, axle spacers, key washers and bolts
S-9T85-A-assy	MOTOR REAR - full assy	RH/LH Rotation inverter "jumper" used on LH motor	
S-9T101 SFR-assy	MOTOR FRONT - full assy		with solid tire, brake rotor, axle spacers, key washers, washers and bolts
S-9T101 SRR-assy	MOTOR REAR - full assy	RH/LH Rotation inverter "jumper" used on LH motor	
C-0T103	JUMPER, ROTATION INVERTER		

# POWER DRIVE SYSTEM

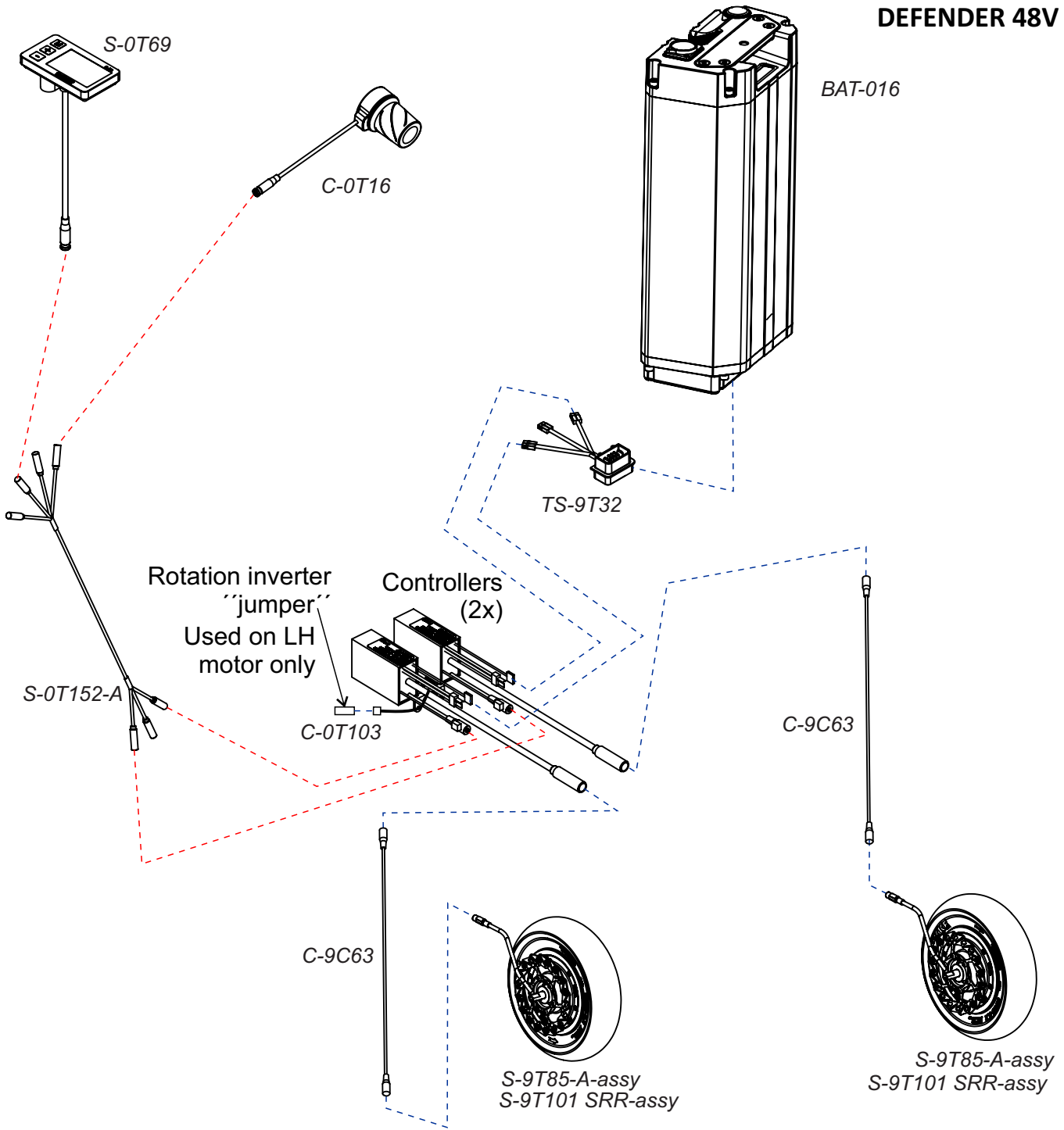
DEFENDER 72V XL



PART #	PART NAME	SPEC	NOTE
BAT-021	BATTERY 72V Li-ion	20S7P - 72V 24.5Ah 1764Wh	
S-0T69-A	DISPLAY X6		72V
C-0T16	THROTTLE		
TS-9T32	POWER CONNECTOR MALE, BATTERY		no 12V
S-0T152-A	EXTENSION, DISPLAY/CONTROLLER		
C-9C63	EXTENSION, REAR MOTOR/CONTROLLER	770mm	
C-9C63-A	EXTENSION, FRONT MOTOR/CONTROLLER	300mm	
S-9T85-D-assy	MOTOR - full assy	RH/LH Rotation inverter "jumper" used on LH motor	with tire, tube, brake rotor, axle spacers, key washers and bolts
C-0T103	JUMPER, ROTATION INVERTER		

# POWER DRIVE SYSTEM

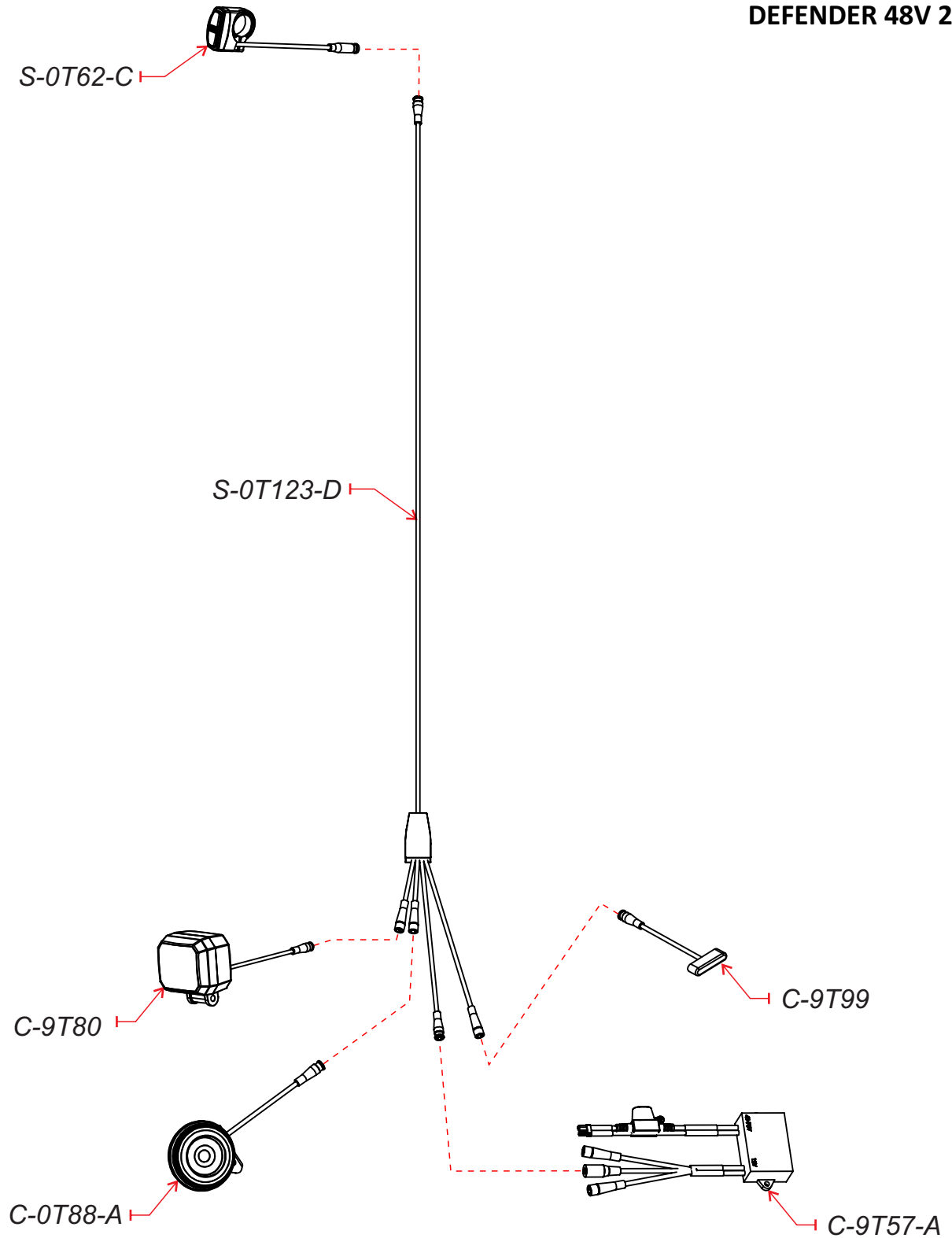
## DEFENDER 48V 2WD



PART #	PART NAME	SPEC	NOTE
BAT-016	BATTERY 48V Li-ion	13S7P - 48V 15.75Ah 1176Wh	48V and 60V
S-0T69	DISPLAY, LCD RFID		
C-0T16	THROTTLE		
TS-9T32	POWER CONNECTOR MALE, BATTERY		no 12V
S-0T152-A	CABLE EXTENSION, DISPLAY/CONTROLLER		
S-0T123-C	CABLE EXTENSION, MOTOR/CONTROLLER		
S-9T85-A-assy	MOTOR REAR - full assy	RH/LH Rotation inverter "jumper" used on LH motor	with tire, tube, brake rotor, axle spacers, key washers and bolts
S-9T101 SRR-assy	MOTOR REAR - full assy	RH/LH Rotation inverter "jumper" used on LH motor	with solid tire, brake rotor, axle spacers, key washers, washers and bolts
C-0T103	JUMPER, ROTATION INVERTER		

# HARNESS, BASIC LIGHTS

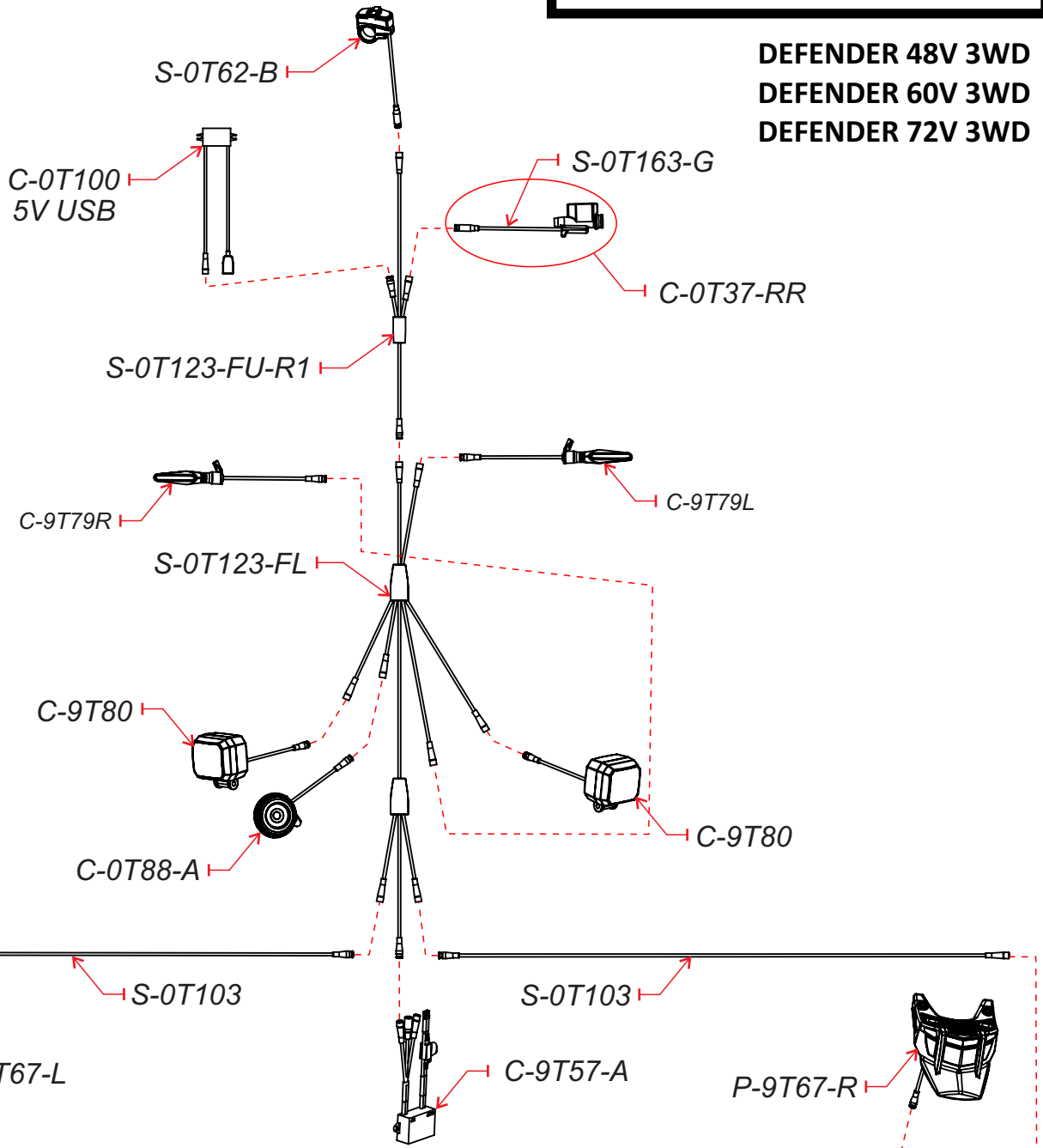
DEFENDER 48V 2WD



PART #	PART NAME	SPEC	NOTE
S-0T62-C	SWITCH, 2 BUTTON		
C-9T80	HEADLIGHT, SQUARE DRL		
C-0T88-A	HORN, BEEP		
C-9T99	LIGHT, REAR SINGLE		
C-9T57-A	DC-DC CONVERTER	40-70V/12V 5A	3way
S-0T123-D	BASIC CABLE, 2WD LIGHTS		

# HARNESS, MAIN LIGHTS

DEFENDER 48V 3WD  
DEFENDER 60V 3WD  
DEFENDER 72V 3WD

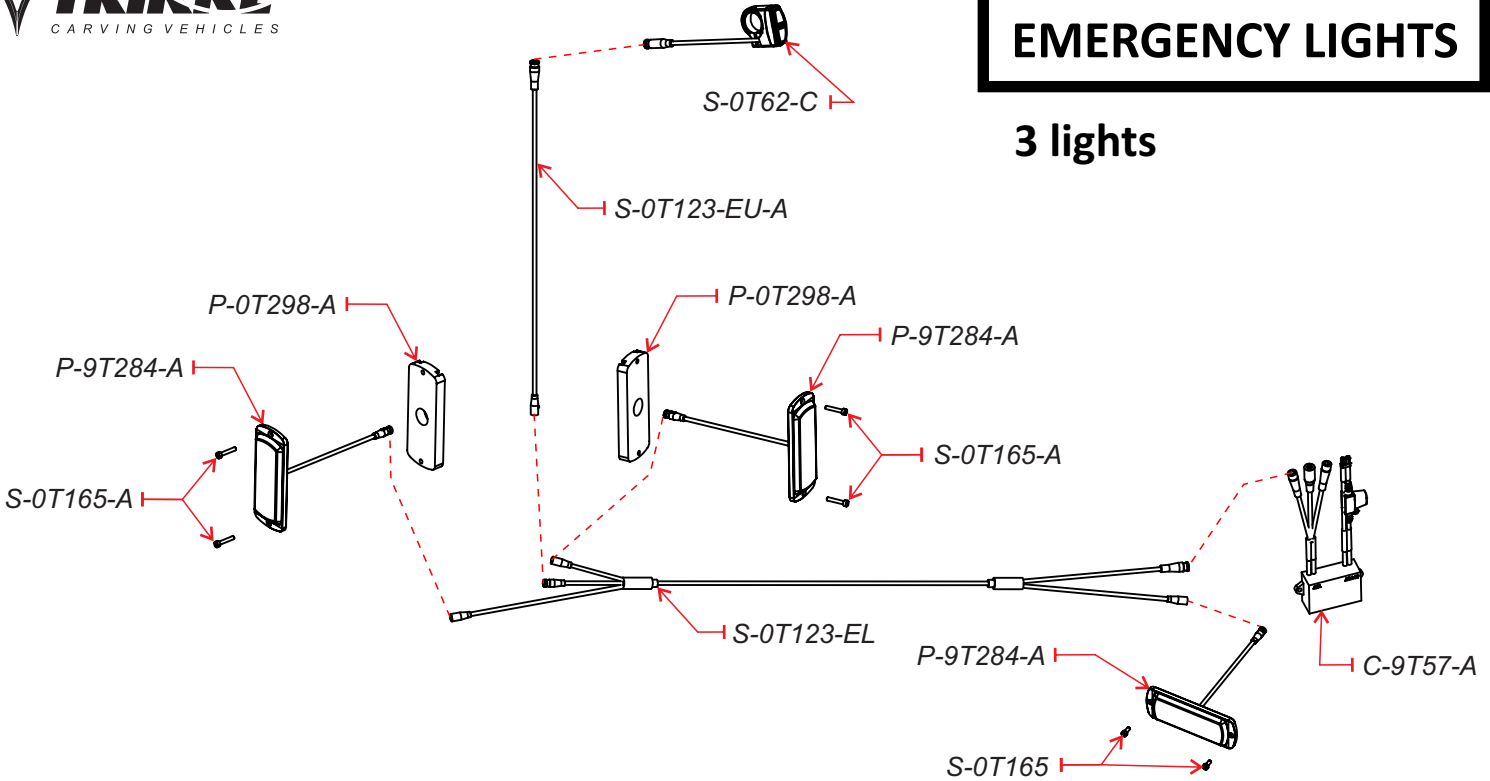


PART #	PART NAME	SPEC	NOTE
S-0T62-B	SWITCH, 4 BUTTON		
C-0T37-RR	MASTER CYLINDER, BRAKE RR		
S-0T163-G	CABLE 2 PIN - MALE and sensor		
C-0T100	USB CONVERTER, DC-DC		
C-9T79R	LIGHT RH, FINGER		2021 same part LH/RH
C-9T79L	LIGHT LH, FINGER		
C-9T80	HEADLIGHT, SQUARE DRL		
C-0T88-A	HORN, BEEP		
P-9T67-L	FENDER, REAR ASSY (with light and reflectors)		
P-9T67-R	FENDER, REAR ASSY (with light and reflectors)		
C-9T57-A	DC-DC CONVERTER	40-70V/12V 5A	3way
S-0T123-FU-R1	MAIN CABLE, LIGHTS (UPPER)		
S-0T123-FL	MAIN CABLE, LIGHTS (LOWER)		
S-0T103	EXTENSION, REAR LIGHTS		



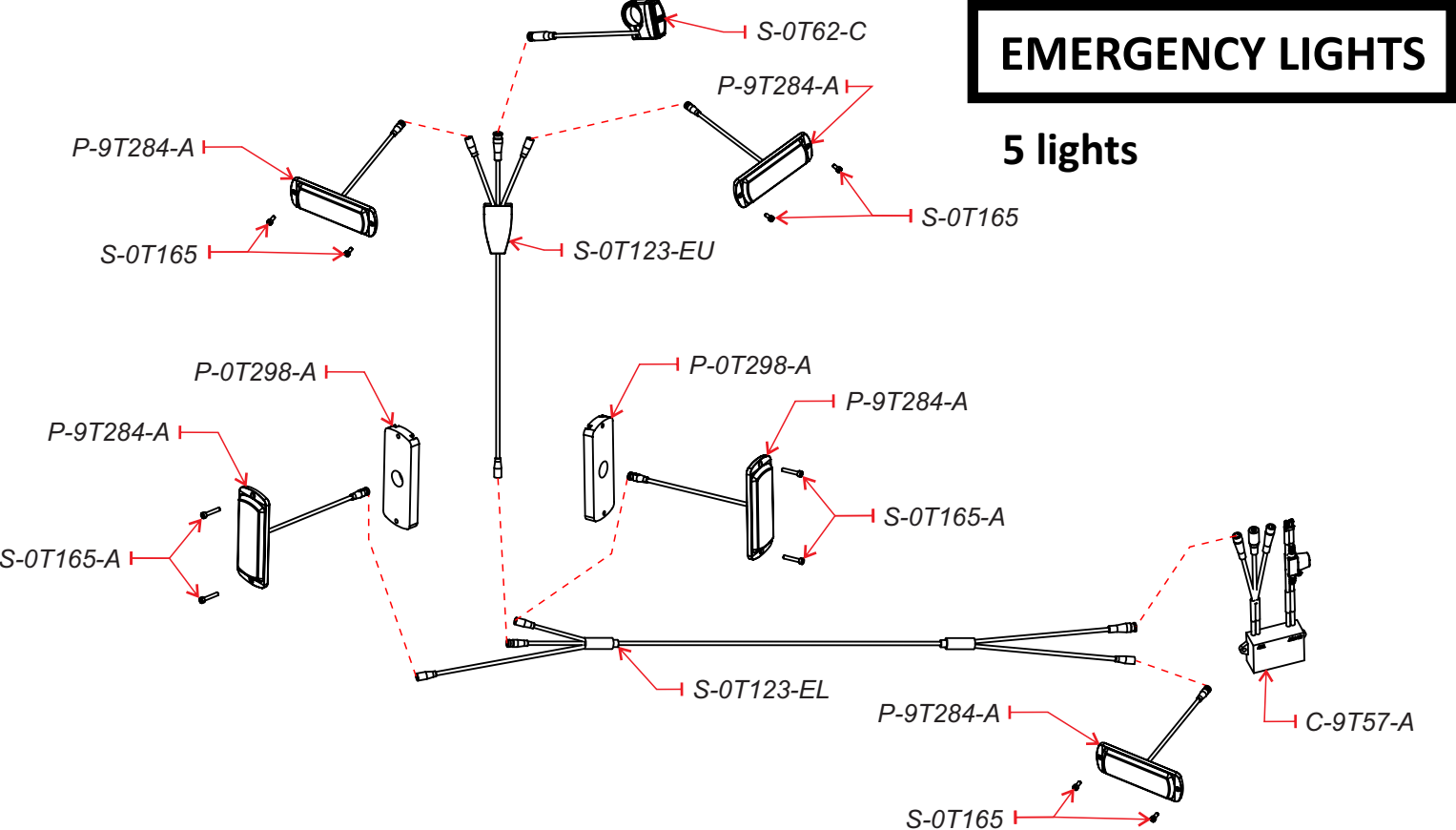
# EMERGENCY LIGHTS

## 3 lights



# EMERGENCY LIGHTS

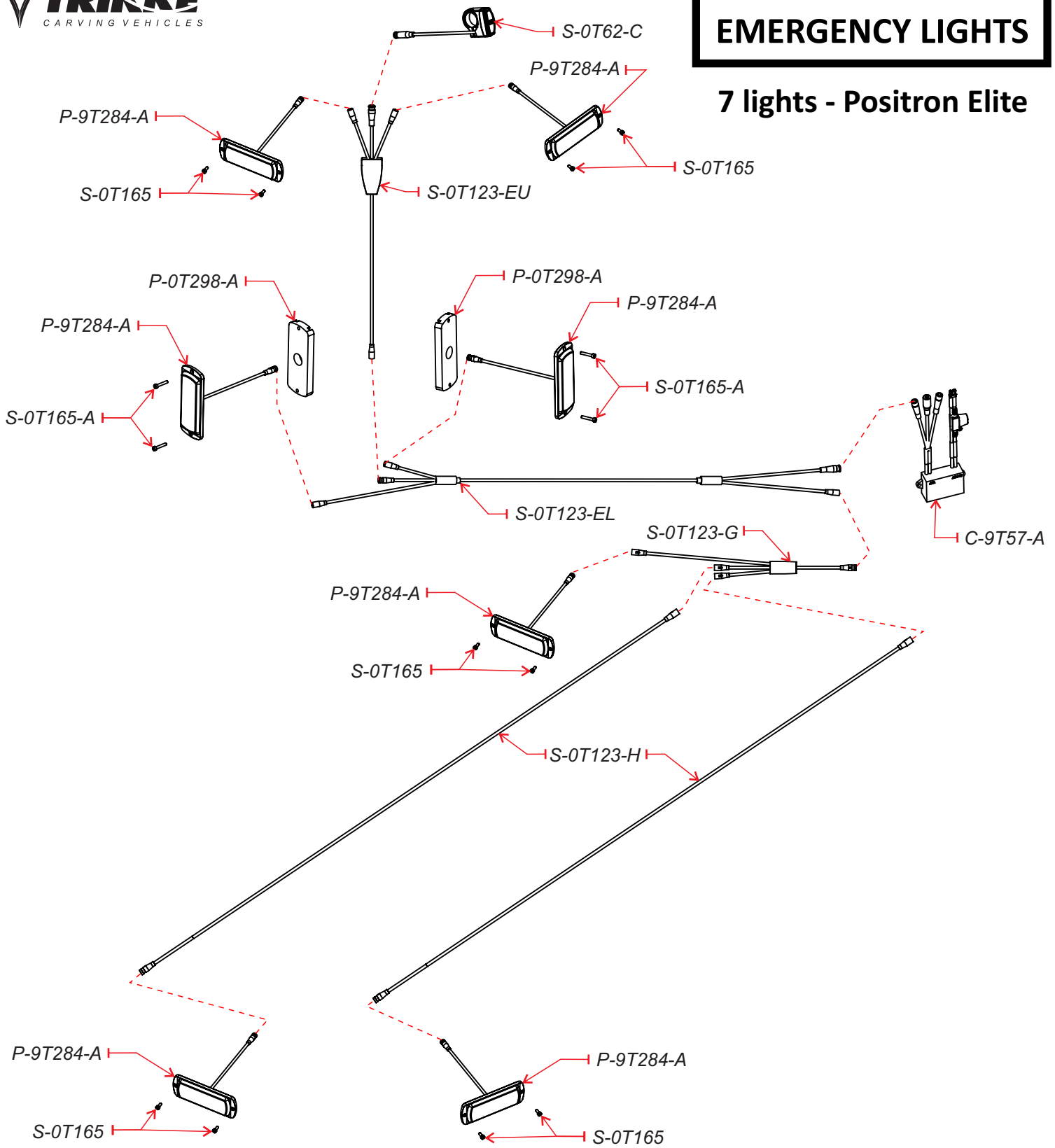
## 5 lights



PART #	PART NAME	SPEC	NOTE
P-9T284-A	EMERGENCY LIGHT		Wire = 150mm
P-0T298-A	BASE, SIDE EMG LIGHT		
S-0T165	BOLT, M3.5 x 8 (DIN 912)		
S-0T165-A	BOLT, M3.5 x 20 (DIN 912)		
S-0T62-C	SWITCH, 2 BUTTON		
S-0T123-EU	CABLE, EMG LIGHTS (UPPER)		
S-0T123-EL	CABLE, EMG LIGHTS (LOWER)		
S-0T123-EU-A	CABLE, EMG LIGHTS 2WD (UPPER)		
C-9T57-A	DC-DC CONVERTER	40-70V/12V 5A	3way

# EMERGENCY LIGHTS

## 7 lights - Positron Elite

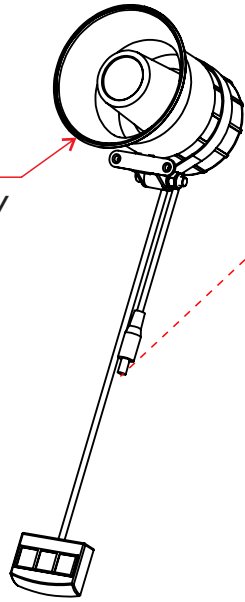


PART #	PART NAME	SPEC	NOTE
P-9T284-A	EMERGENCY LIGHT		Wire = 150mm
P-0T298-A	BASE, SIDE EMG LIGHT		
S-0T165	BOLT, M3.5 x 8 (DIN 912)		
S-0T165-A	BOLT, M3.5 x 20 (DIN 912)		
S-0T62-C	SWITCH, 2 BUTTON		
S-0T123-EU	CABLE, EMG LIGHTS (UPPER)		
S-0T123-EL	CABLE, EMG LIGHTS (LOWER)		
S-0T123-G	CABLE, EMG LIGHTS SPLITTER		
S-0T123-H	EXTENSION, EMG LIGHTS (REAR)		
C-9T57-A	DC-DC CONVERTER	40-70V/12V 5A	3way

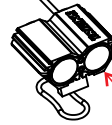
# HARNESS, DC Y

DEFENDER 48V 3WD  
 DEFENDER 60V 3WD  
 DEFENDER 72V 3WD

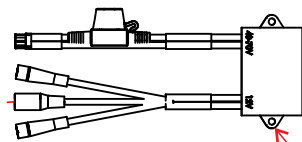
C-0T70 60V  
 C-0T70-A 72V



C-9T19



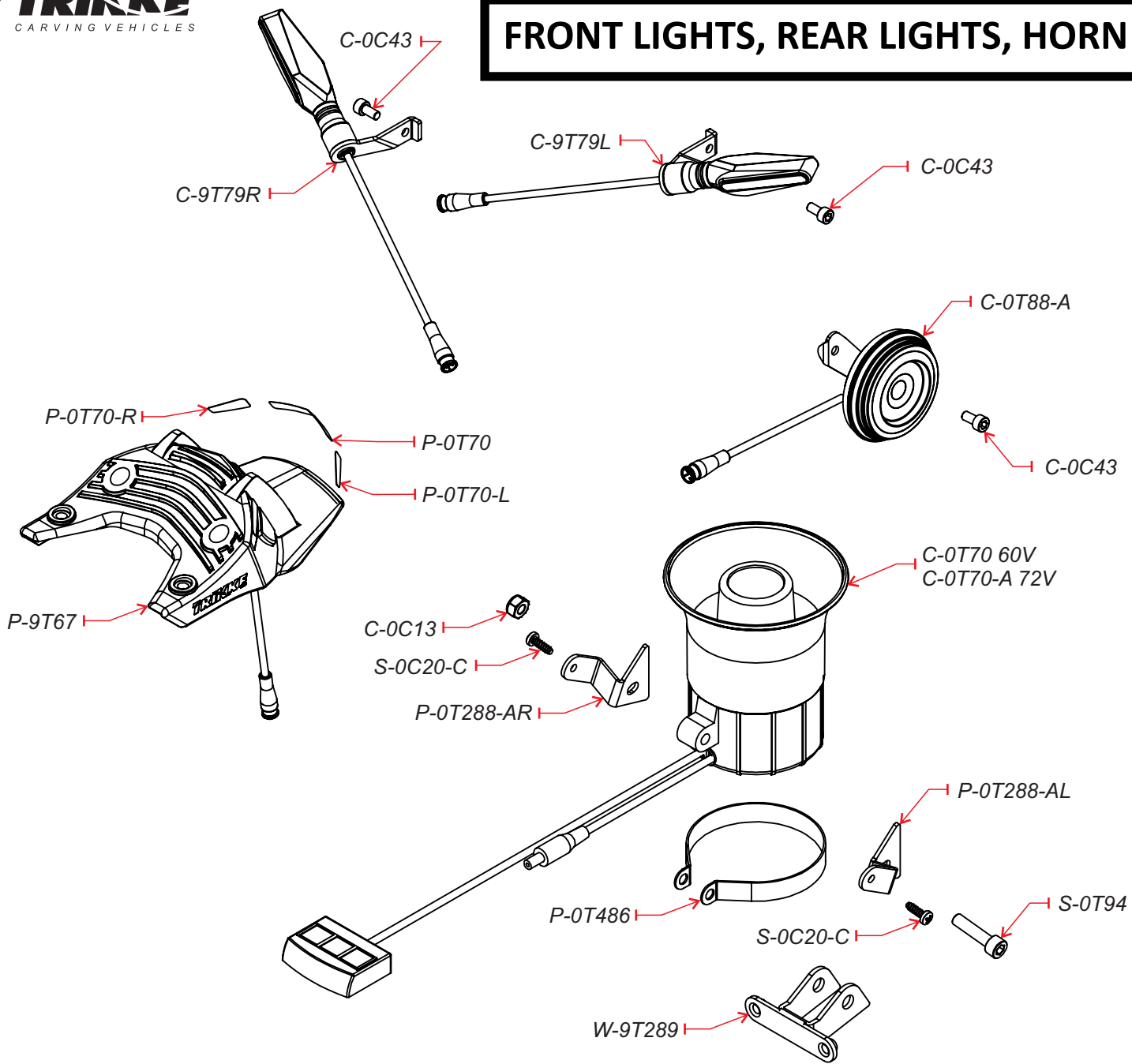
S-0T131-A



C-9T57-A

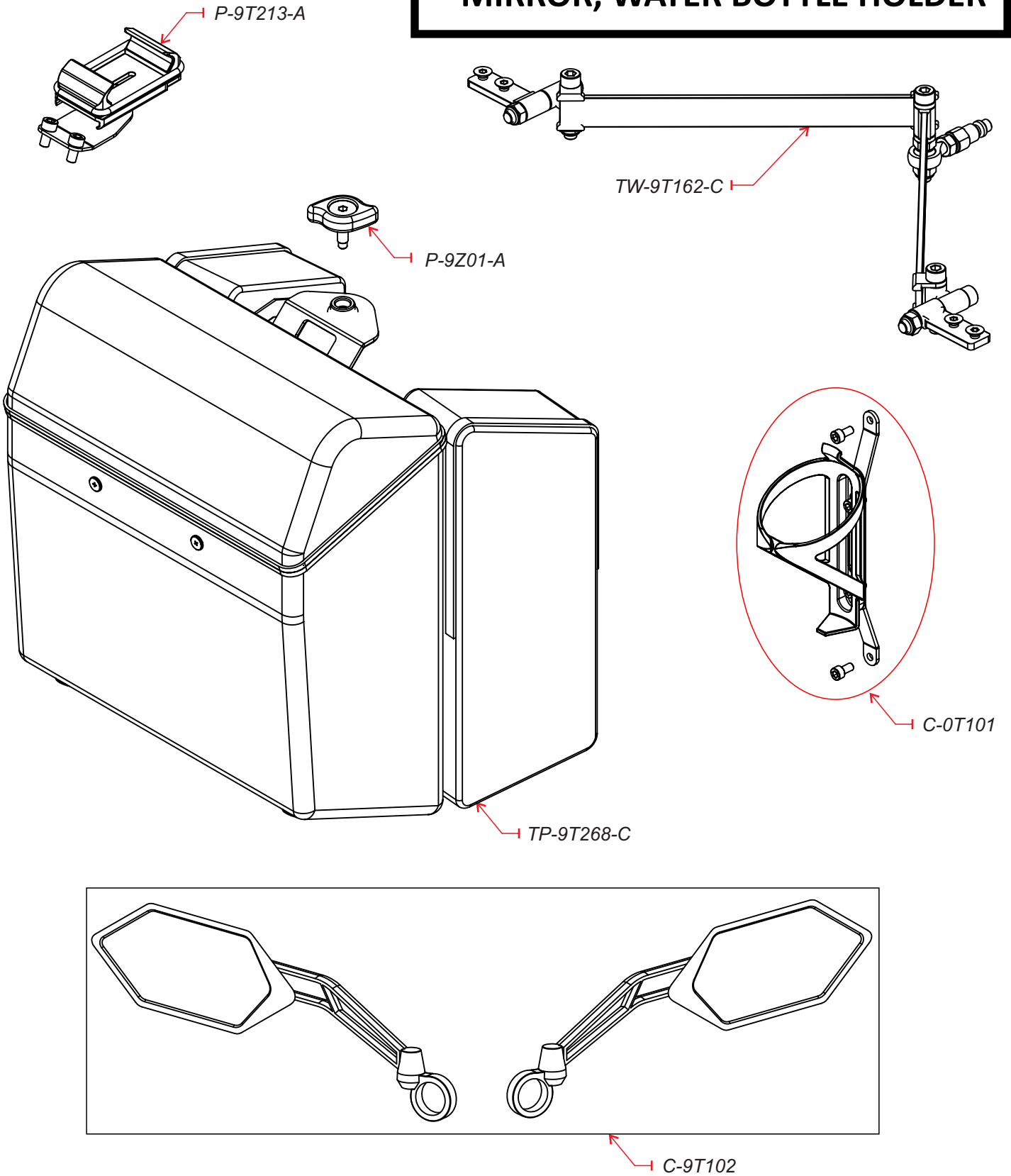
PART #	PART NAME	SPEC	NOTE
C-0T70	SIREN 60V		with bolts, nut and brackets
C-0T70-A	SIREN 72V		with bolts, nut and brackets
C-9T19	LED HEADLIGHT with cradle		
C-9T57-A	DC-DC CONVERTER	40-70V/12V 5A	3way
S-0T131-A	DC CABLE, 1 MALE - 2 FEMALE		1000mm

# FRONT LIGHTS, REAR LIGHTS, HORN



PART #	PART NAME	SPEC	NOTE
C-9T79R	LIGHT RH, DRL		with bolts
C-9T79L	LIGHT LH, DRL		with bolts
P-9T67	FENDER, T8HD REAR		with reflectors
P-0T70	REAR REFLECTOR		reflectors set, rear fender
P-0T70-R	REAR REFLECTOR, RIGHT		
P-0T70-L	REAR REFLECTOR, LEFT		
C-0T88-A	HORN, BEEP		with bolt
C-0T70	SIREN 60V		with bolts, nut and brackets
C-0T70-A	SIREN 72V		with bolts, nut and brackets
P-0T288-AR	BRACKET, BIG SIREN RH		
P-0T288-AL	BRACKET, BIG SIREN LH		
P-0T486	CLAMP, SIREN BODY		
W-9T289	BRACKET, BIG SIREN		Positron Elite
C-0C43	BOLT, M5 x 10 (DIN 912)		
S-0T94	BOLT, M6 x 25 (DIN 912)		
C-0C13	NUT, M6 NYLOCK (DIN 985)		
S-0C20-C	SCREW, 4 x 12 x 7 (DIN 7981)		

# PHONE HOLDER, GEAR BAG, HITCH, MIRROR, WATER BOTTLE HOLDER



PART #	PART NAME	SPEC	NOTE
P-9T213-A	PHONE HOLDER		
TP-9T268-C	GEAR BAG		with knob
P-9Z01-A	KNOB, GLOVE BOX (M7x1)		
TW-9T162-C	HITCH, TRAILER		
C-0T101	WATER BOTTLE HOLDER		
C-9T102	MIRROR PAIR		